

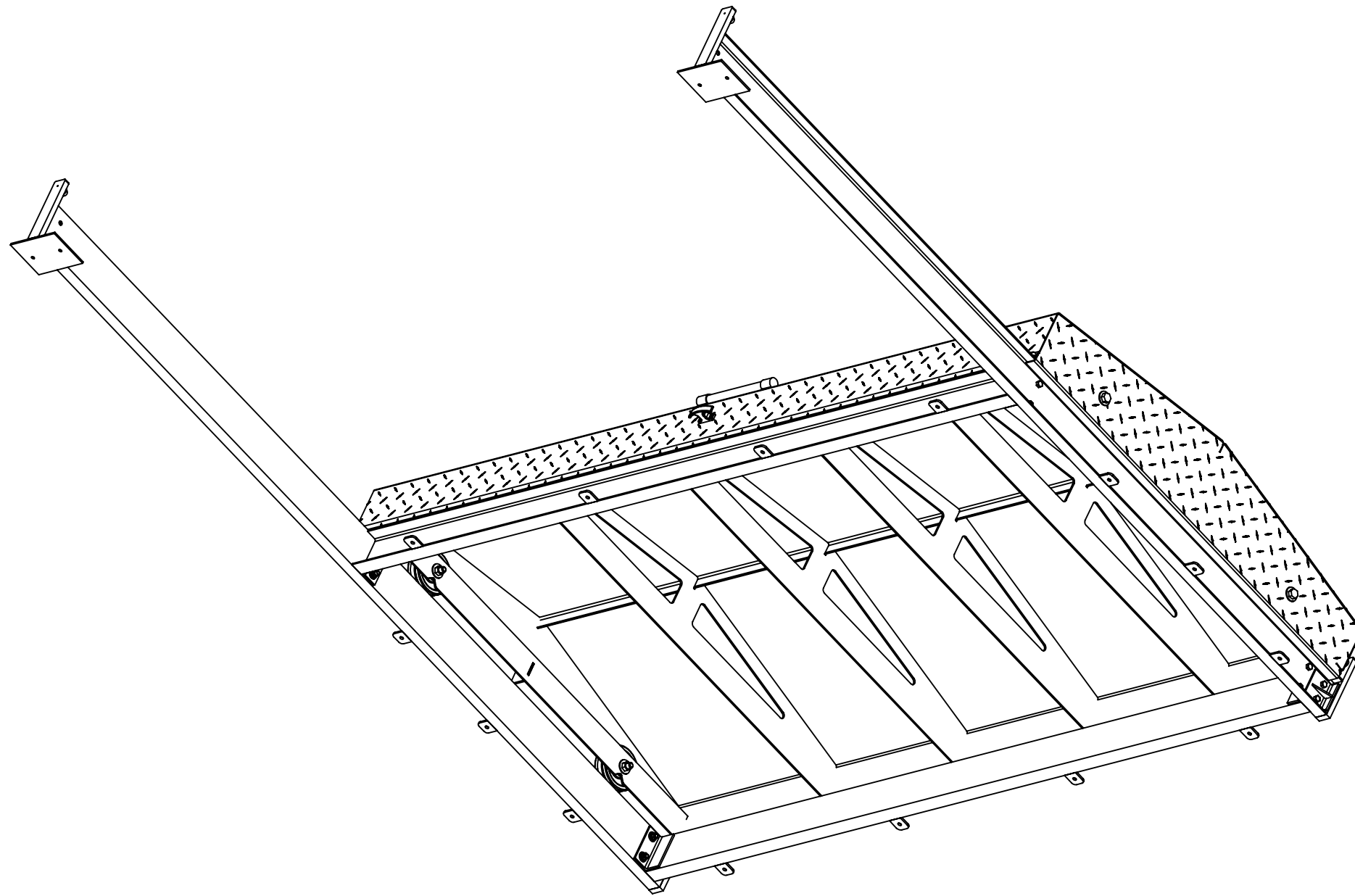
APPROVALS	DATE
DRAWN DLL	11-17-07
CHECKED CDM	11-17-07
APPROVED CDM	11-17-07
SHEET 1 OF 2	
SCALE: 1:24	SIZE: B

USS, INC.
 PHONE: (260) 693-1172 FAX: (260) 693-1178
 WEB SITE: WWW.USSPECIALISTS.COM

RC120X60

3-VIEW WITH ISO

THE INFORMATION ON THIS DRAWING IS PROPRIETARY AND IS NOT TO BE REVEALED TO THIRD PARTIES WITHOUT WRITTEN CONSENT OF A CORPORATE OFFICER OF USS, INC.



VIEW SHOWING COVER WITH SUPPORT TRUSSES



Utility Systems Specialists

APPROVALS	DATE
DRAWN DLL	11-17-07
CHECKED CDM	11-17-07
APPROVED CDM	11-17-07

SHEET 2 OF 2

SCALE: 1:18

SIZE: B

USS, INC.
 PHONE: (260) 693-1172 FAX: (260) 693-1178
 WEB SITE: WWW.USSPECIALISTS.COM

RC120X60

UNDERSIDE VIEW

THE INFORMATION ON THIS DRAWING IS PROPRIETARY AND IS NOT TO BE REVEALED TO THIRD PARTIES WITHOUT WRITTEN CONSENT OF A CORPORATE OFFICER OF USS, INC.