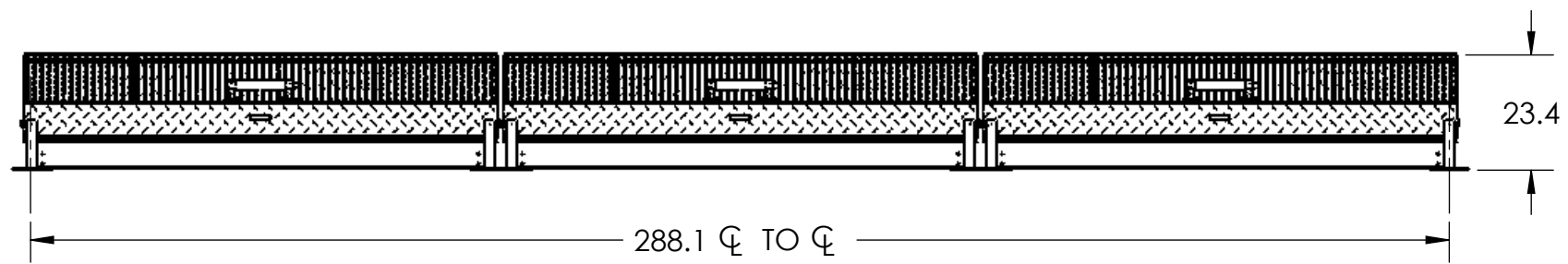


3X USS-RC96X108

TOP VIEW



288.1 $\text{C} \rightarrow \text{C}$

23.4

FRONT VIEW



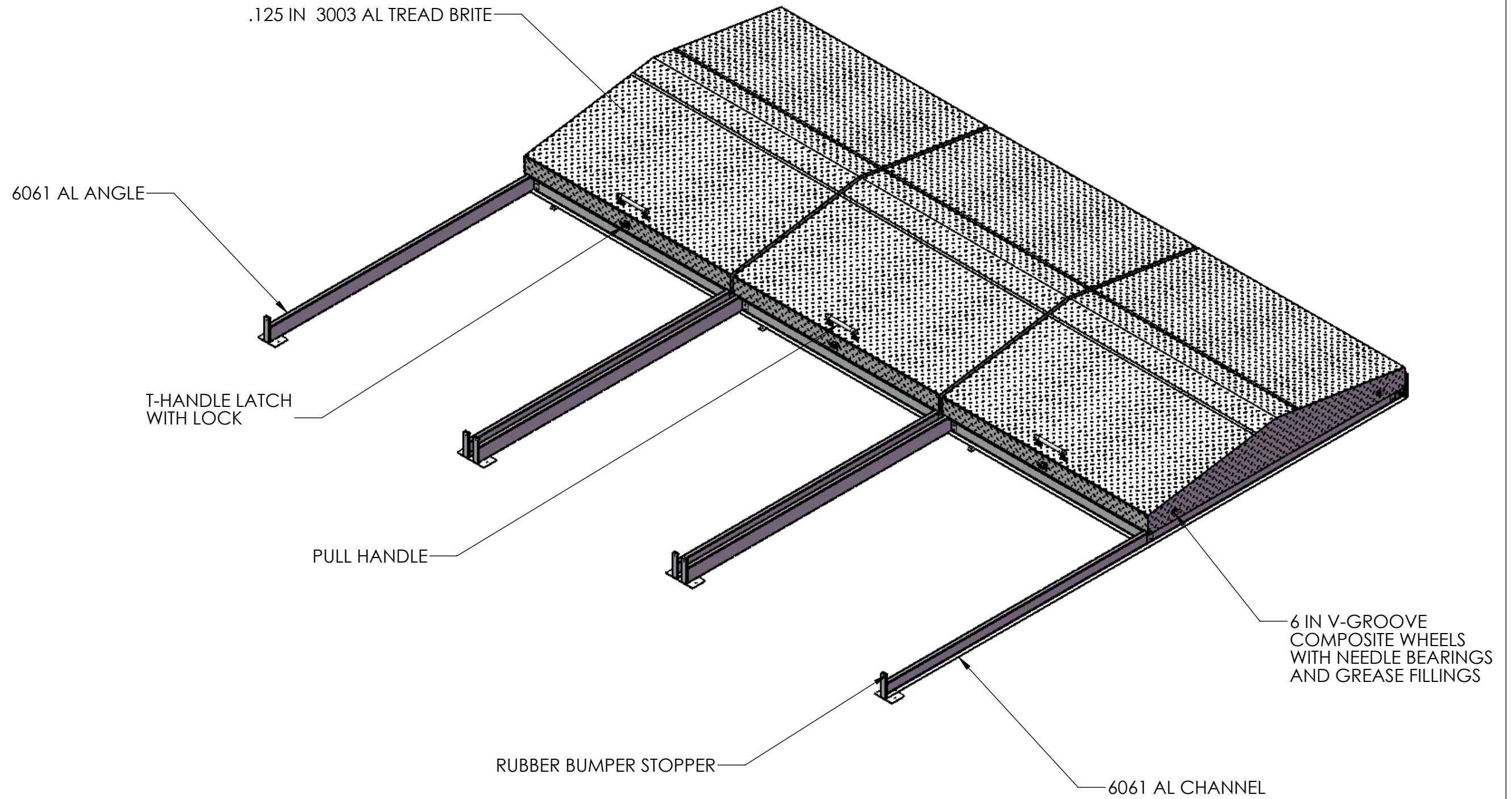
APPROVALS	DATE
DRAWN DLL	08-06-07
CHECKED CDM	08-06-07
APPROVED CDM	08-06-07
SHEET 1 OF 3	
SCALE: 1:36	SIZE: B

USS, INC.
 PHONE: (260) 693-1172 FAX: (260) 693-1178
 WEB SITE: WWW.USSPECIALISTS.COM

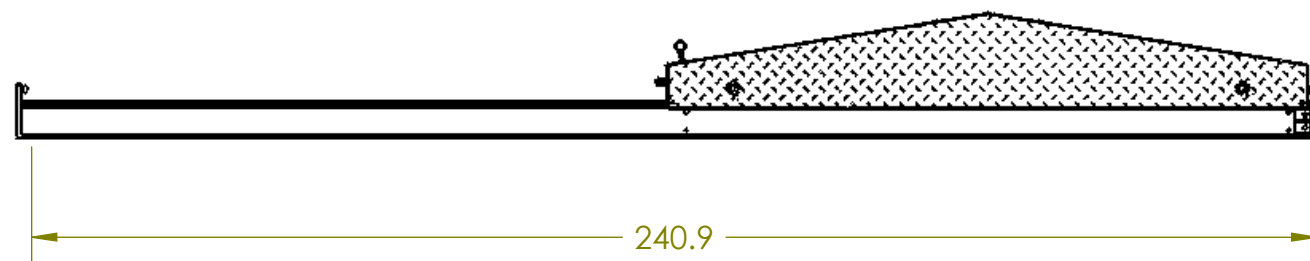
USS-RC(3)282X108

TOP AND FRONT VIEWS

THE INFORMATION ON THIS DRAWING IS PROPRIETARY AND IS NOT TO BE REVEALED TO THIRD PARTIES WITHOUT WRITTEN CONSENT OF A CORPORATE OFFICER OF USS, INC.



ISOMETRIC VIEW



SIDE VIEW



APPROVALS	DATE
DRAWN DLL	08-06-07
CHECKED CDM	08-06-07
APPROVED CDM	08-06-07

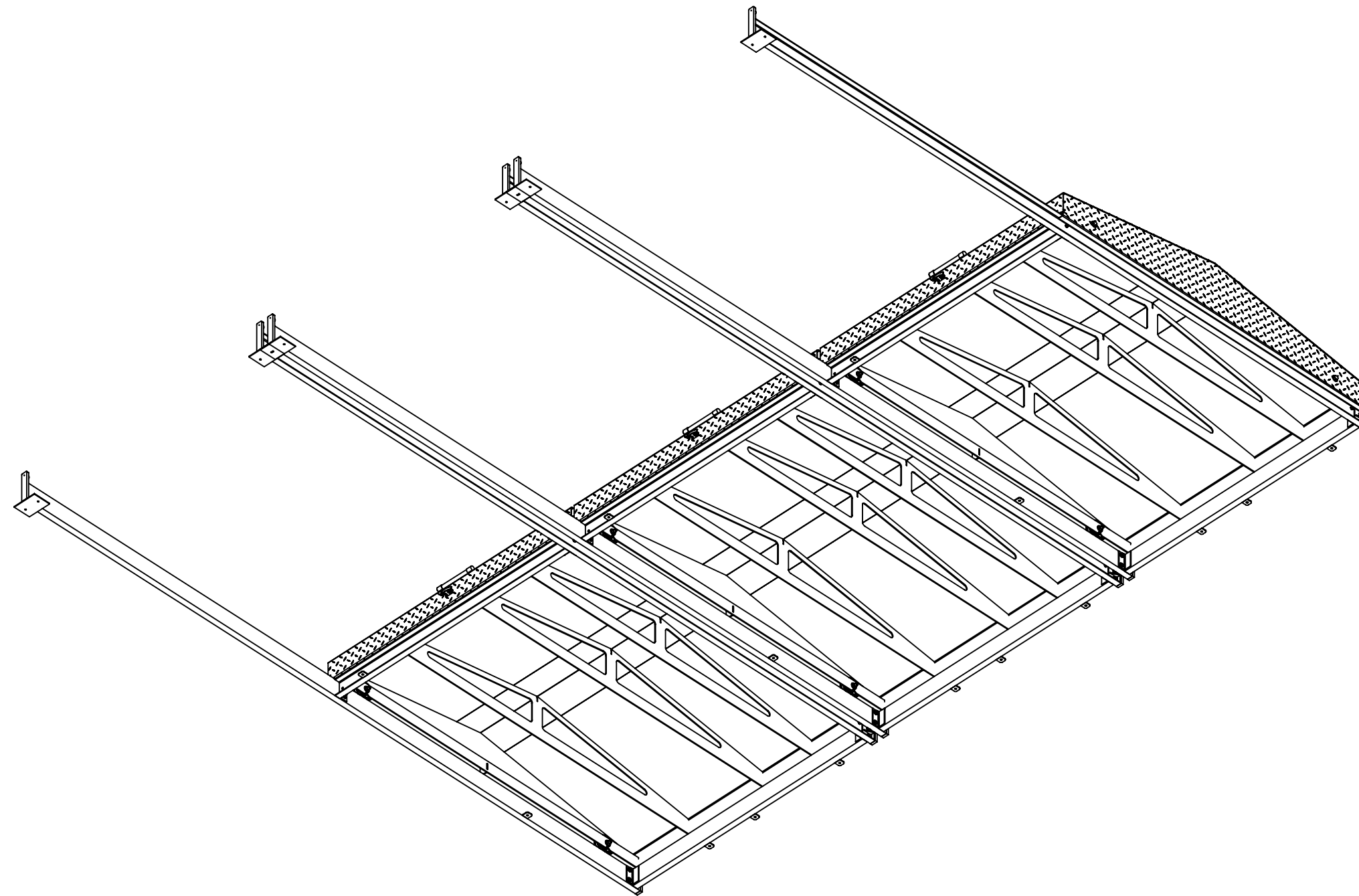
SHEET 2 OF 3
SCALE: 1:48 SIZE: B

USS, INC.
 PHONE: (260) 693-1172 FAX: (260) 693-1178
 WEB SITE: WWW.USSPECIALISTS.COM

USS-RC(3)282X108

ISOMETRIC AND SIDE VIEWS

THE INFORMATION ON THIS DRAWING IS PROPRIETARY AND IS NOT TO BE REVEALED TO THIRD PARTIES WITHOUT WRITTEN CONSENT OF A CORPORATE OFFICER OF USS, INC.



VIEW SHOWING COVER WITH SUPPORT TRUSSES



APPROVALS	DATE
DRAWN DLL	08-06-07
CHECKED CDM	08-06-07
APPROVED CDM	08-06-07
SHEET 3 OF 3	
SCALE: 1:36	SIZE: B

USS, INC.
 PHONE: (260) 693-1172 FAX: (260) 693-1178
 WEB SITE: WWW.USSPECIALISTS.COM

USS-RC(3)282X108

UNDERSIDE VIEW

THE INFORMATION ON THIS DRAWING IS PROPRIETARY AND IS NOT TO BE REVEALED TO THIRD PARTIES WITHOUT WRITTEN CONSENT OF A CORPORATE OFFICER OF USS, INC.