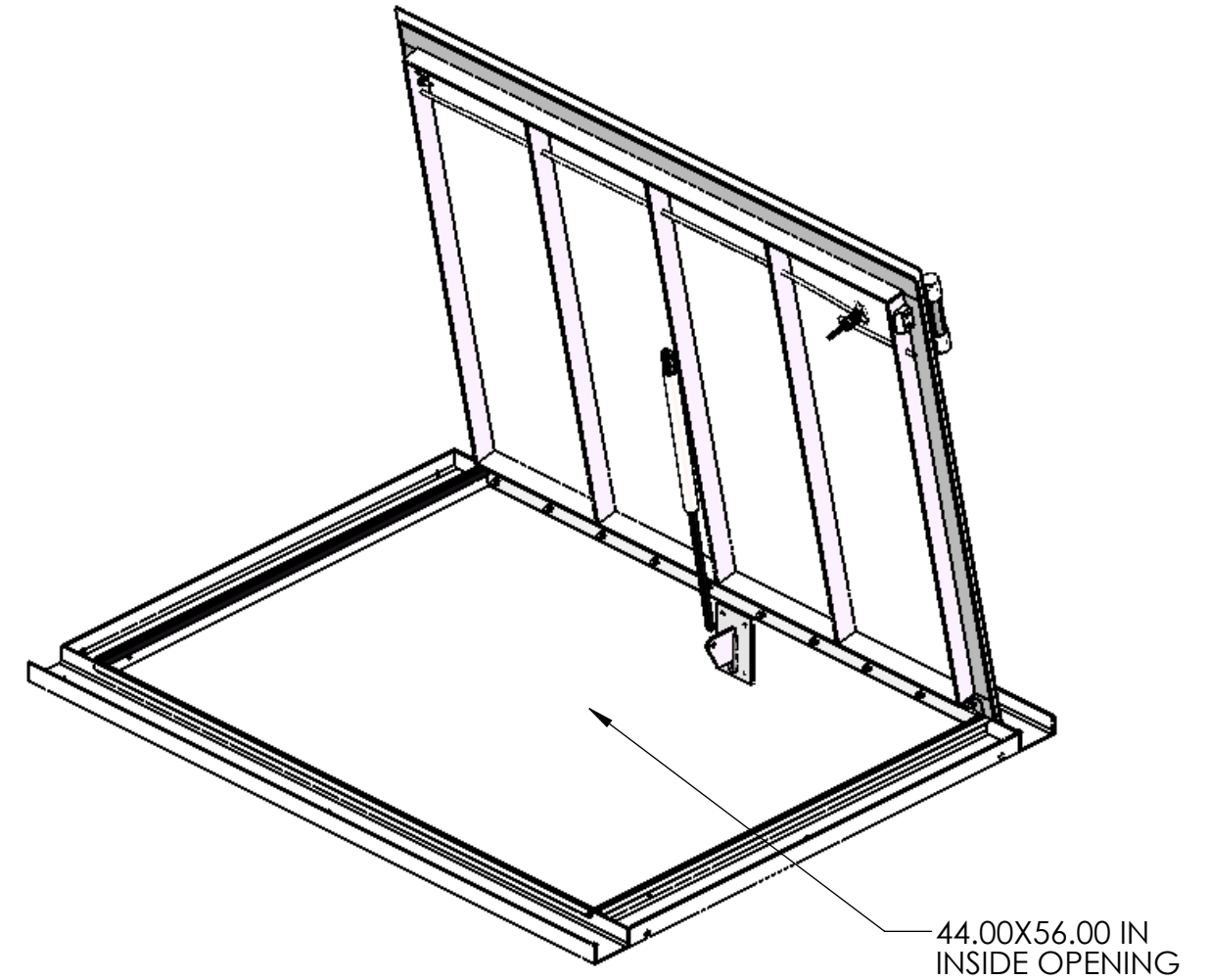
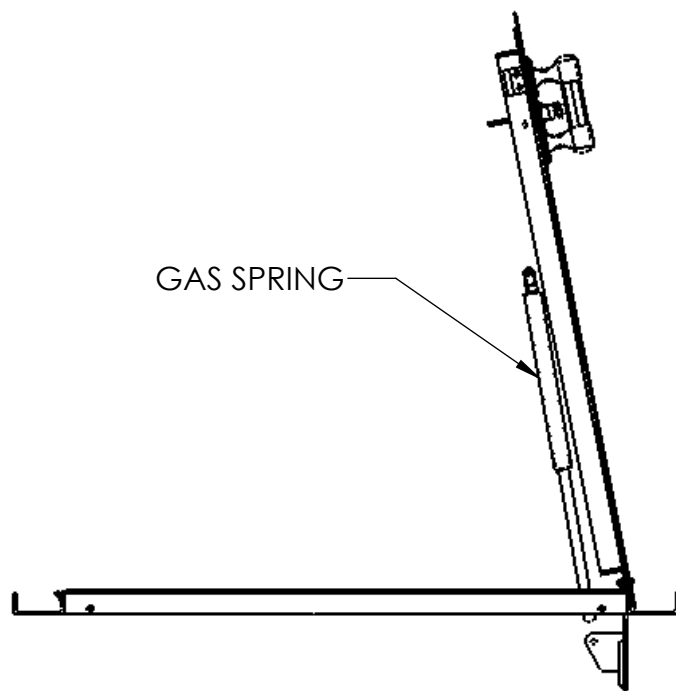


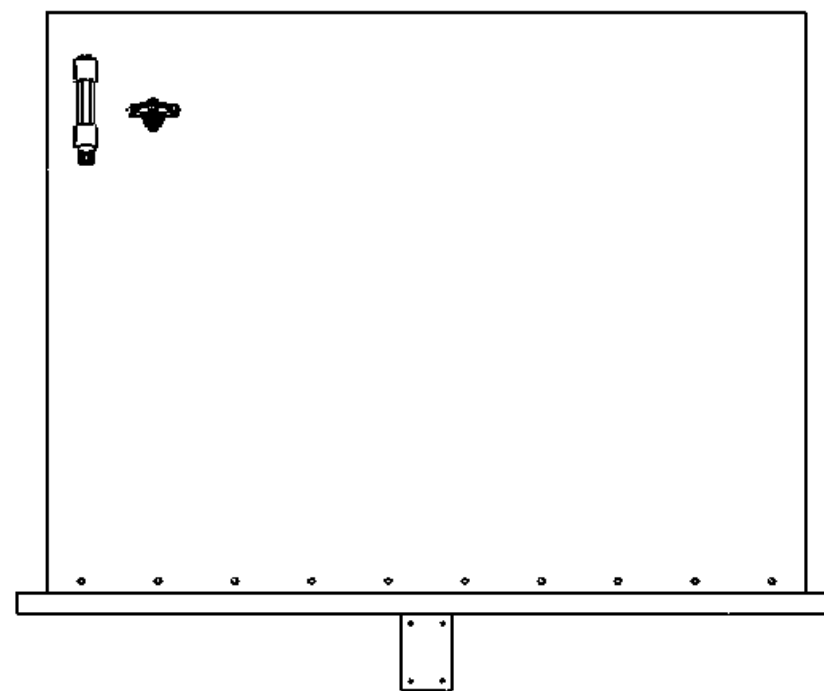
TOP VIEW



ISOMETRIC VIEW



FRONT VIEW



SIDE VIEW



APPROVALS	DATE
DRAWN DLL	11-10-07
CHECKED CDM	11-10-07
APPROVED CDM	11-10-07
SHEET 1 OF 1	

USS, INC.
 PHONE: (260) 693-1172 FAX: (260) 693-1178
 WEB SITE: WWW.USSPECIALISTS.COM
USS-HC44X56S

SCALE: 1:15 SIZE: B

THE INFORMATION ON THIS DRAWING IS PROPRIETARY AND IS NOT TO BE REVEALED TO THIRD PARTIES WITHOUT WRITTEN CONSENT OF A CORPORATE OFFICER OF USS, INC.