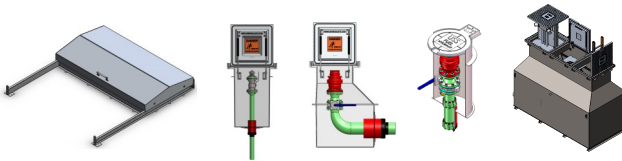


**Utility Access and Support Systems for
Commercial and Military Aircraft,
Railway Operations, Dockside Systems,
and Public Works Projects.**



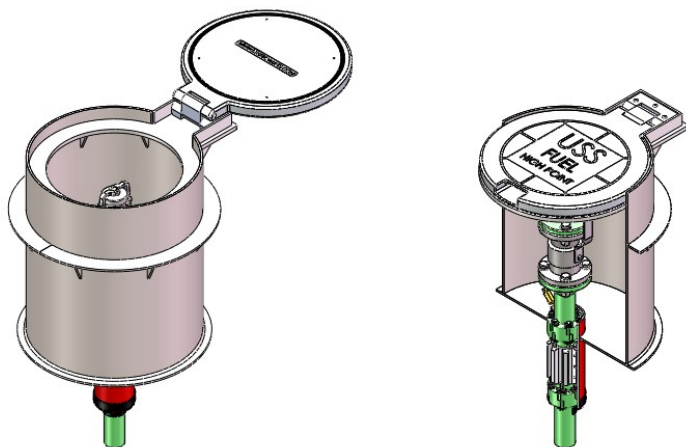
USS, LLC.

**9745 East State Road 205-57
Churubusco, IN 46723**

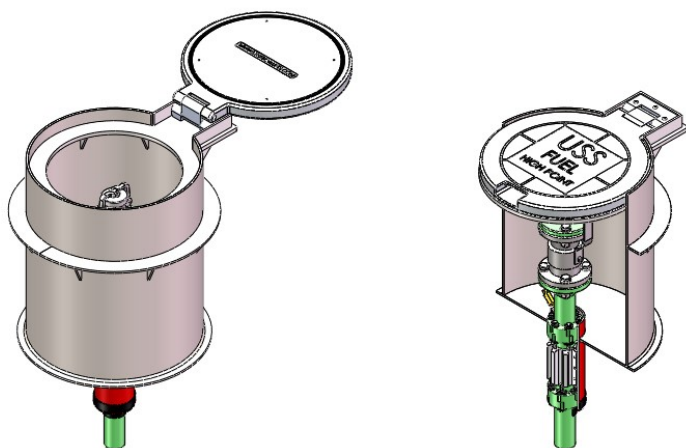
**Phone (260) 693-1172 Fax (260) 693-1178 Cell (260) 450-4540
Website: www.usspecialists.com**

Aircraft Fueling

High & Low Points



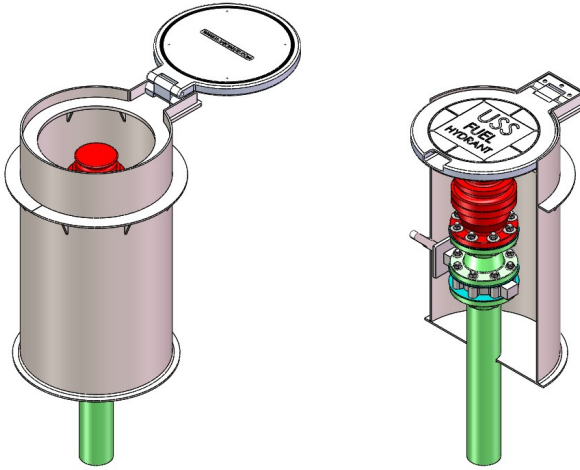
USS20RH-24D-HPVBA(2)[4]-Steel



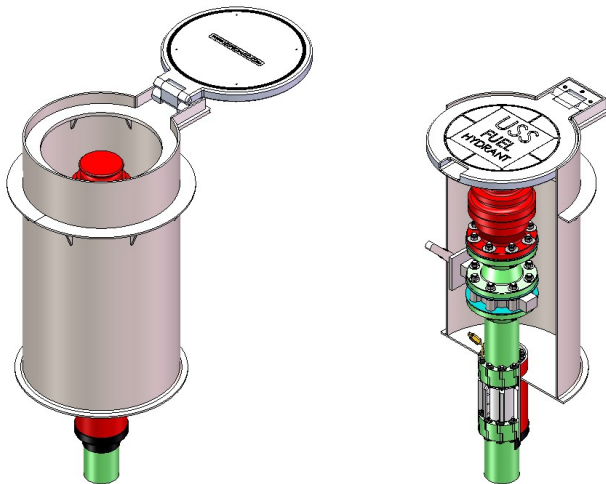
USS20RH-24D-LPDBA(2)[4]-Steel

Aircraft Fueling

Commercial Hydrants



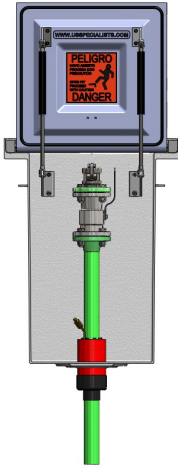
USS20RH-36D-FHBA(4)-Steel



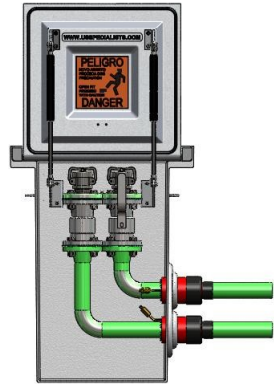
USS20RH-36D-FHBA(4)[6]-Steel

Aircraft Fueling

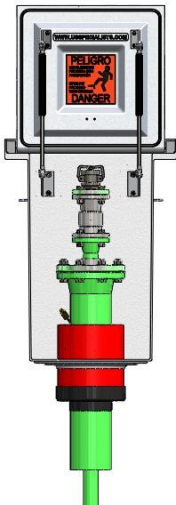
High & Low Points



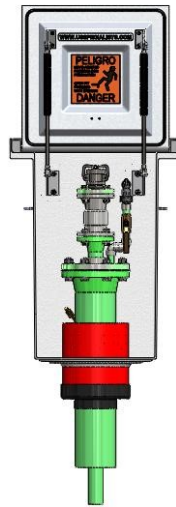
USS24-20x20-36D-HPV-LPD(2)[4]



USS24-20x20-36D-(2)HPV-LPD(2)[4]



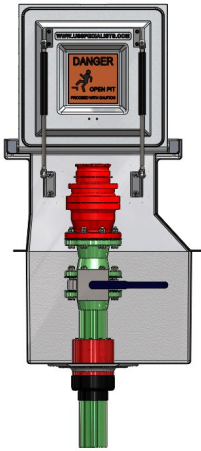
USS24-20x20-38D-LPDBA(6)[10]



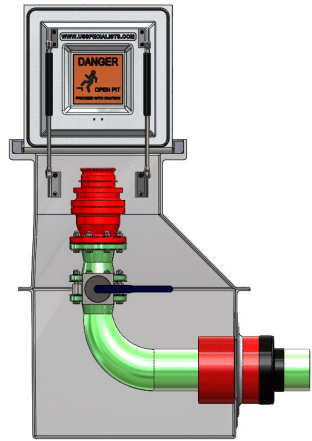
USS24-20x20-38D-LPDBA(6)[10]-N2

Aircraft Fueling

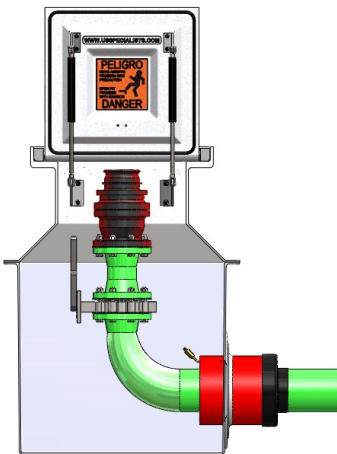
Commercial Hydrants



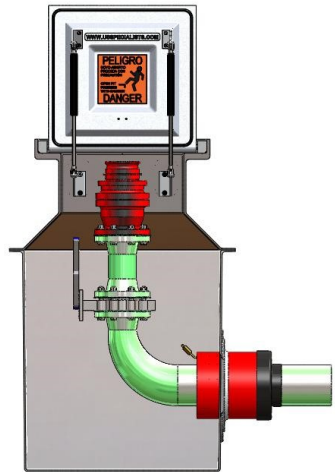
USS24-20x26-36D-FHBA(4)[6]



USS24-20x20-20X32-48D-FHSA(6>4)[10]



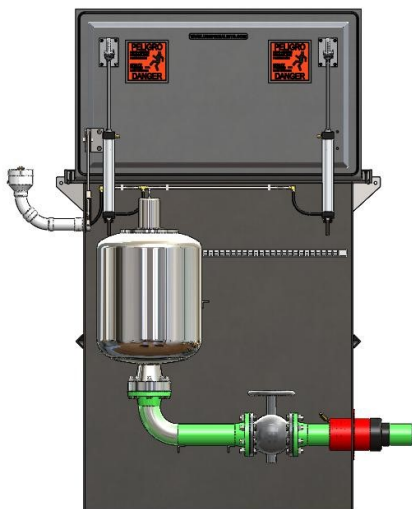
USS24-20x20-32x32-48D-FHSA(6>4)[10]



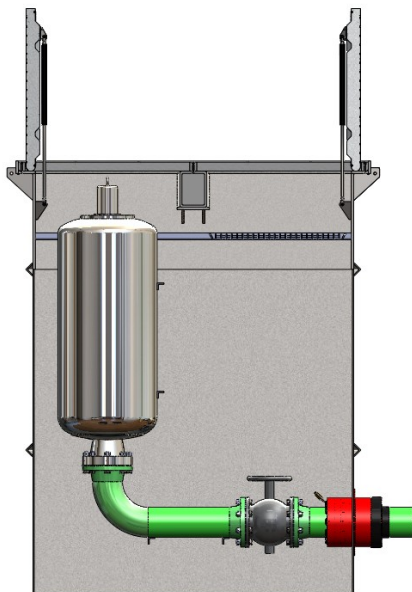
USS24-20x20-32x32-54D-FHSA(6>4)[10]

Aircraft Fueling

Surge Suppression



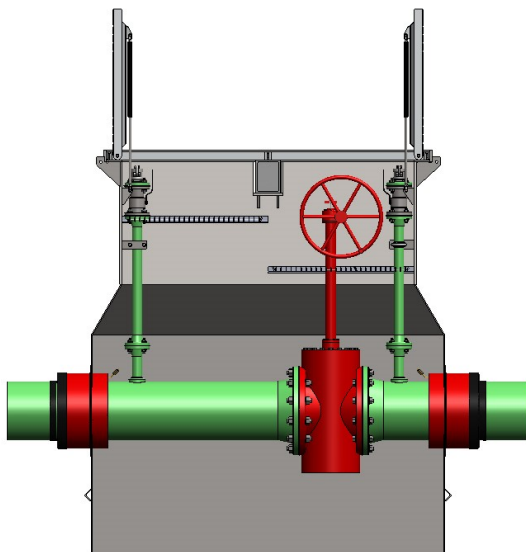
USS36x60-32x56-72D(4)[6]-SSSA(40)



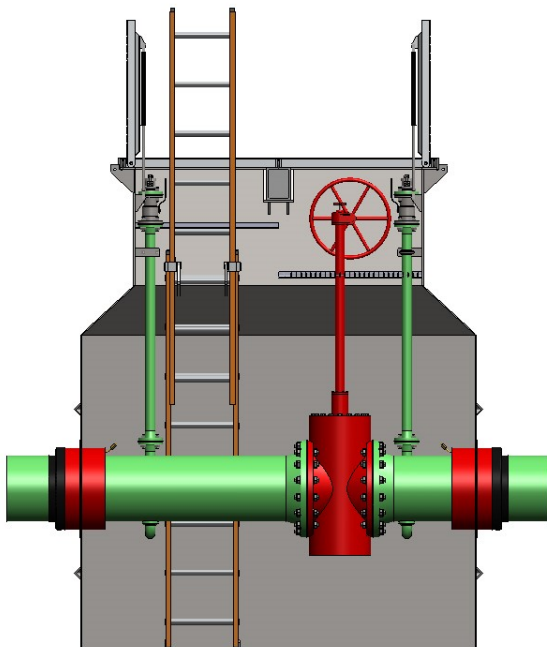
USS(2)36-32x70-96D(6)[10]-SSSA(80)

Aircraft Fueling

Isolation

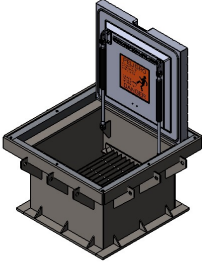


USS(2)36-32x70-56x84-96D-ISO(14)[18]-(2)HPV(2)(SD)-Steel

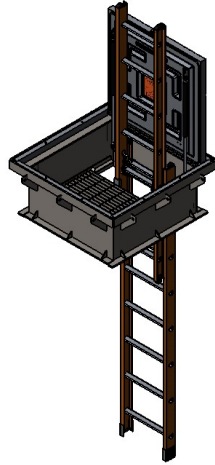


USS(2)36-32x70-56x96-120D-ISO(16)[20](2)LPD(2)(SD,L)-Steel

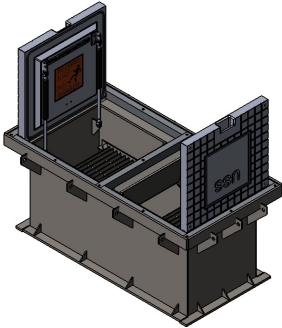
Vault Access



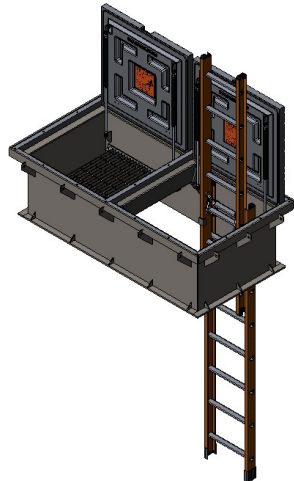
USS24-20x20-24D-VA



USS36-32x32-24D-VA



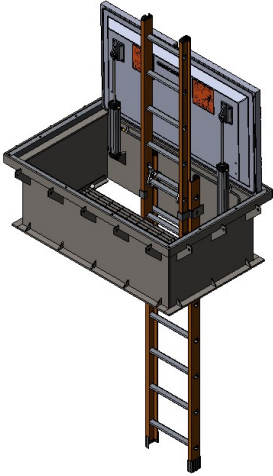
USS(2)24-20x46-24D-VA



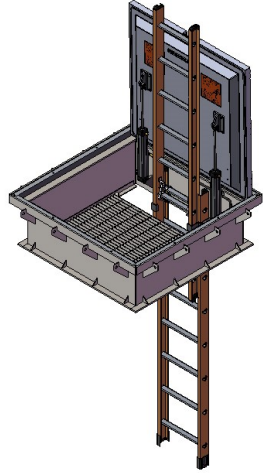
USS(2)36-32x70-24D-VA

Custom Sizes Available

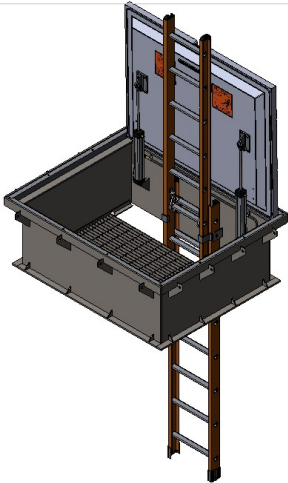
Vault Access - Hydraulic



USS36x60-32x56-24D-VA



USS48-44x44-24D-VA



USS48x60-44x56-24D-VA

Custom Sizes Available

Electrical

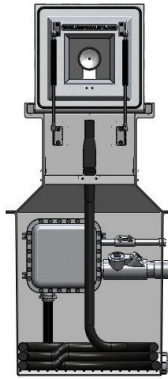
Call for Custom Applications



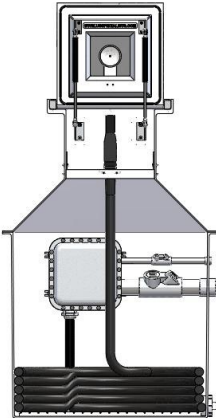
USS-GR(10)



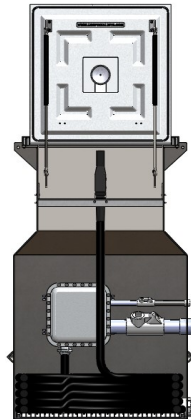
USS12BD-9x9-24D-CP(4)



USS24-20x20-32x32D-400Hz(30)



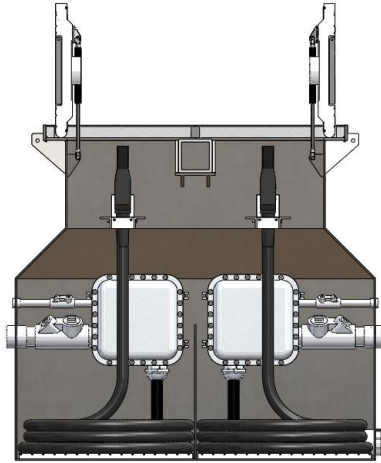
USS24-20x20-44x44-72D-400Hz(50)



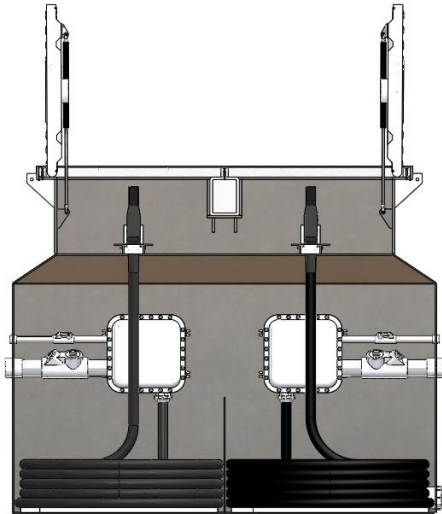
USS36-32x32-44x44-72D-400Hz(50)

Electrical

Call for Custom Applications

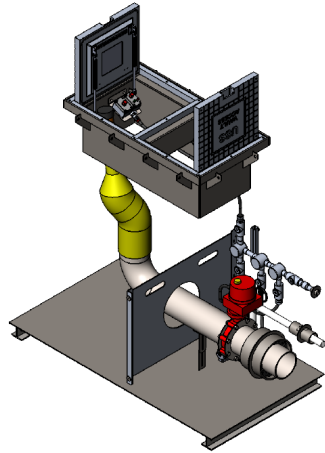
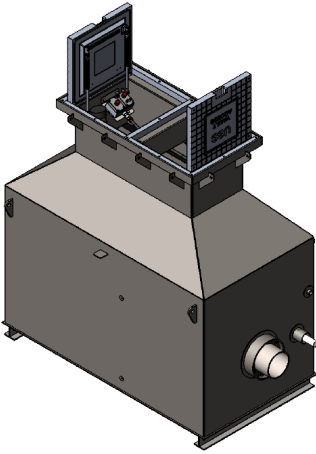


USS(2)24-20x46-32x64-72D-400Hz(2-30)-Steel

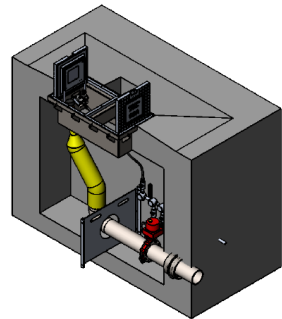
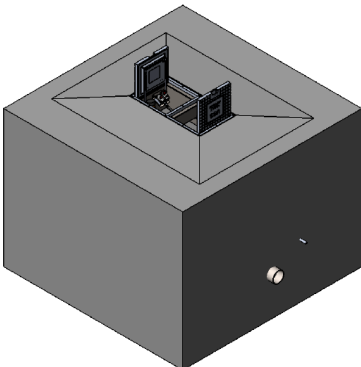


USS(2)36-32x70-72D-400Hz(2-50)-Steel

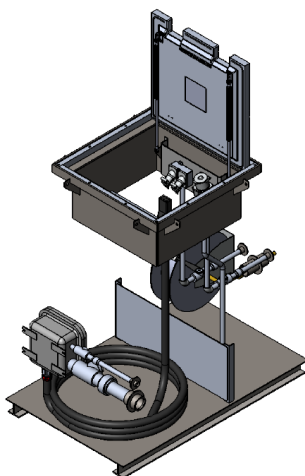
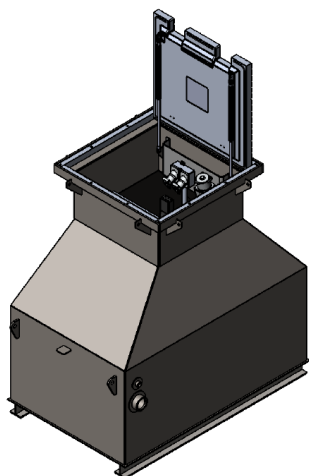
Beaufort MCAS PCA



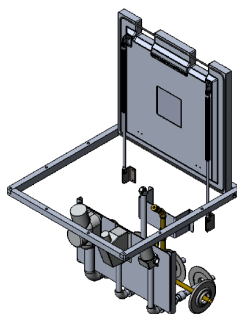
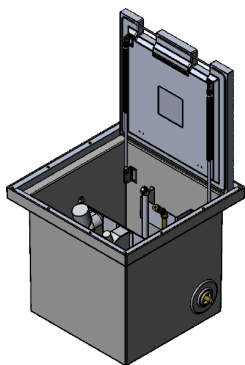
Vault Access PCA



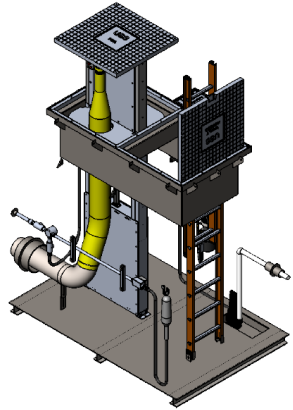
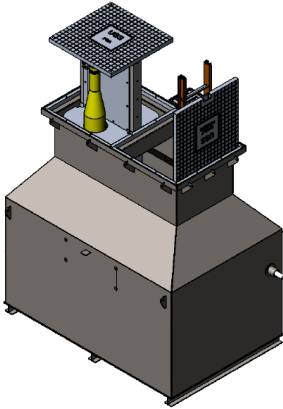
Cannon AFB
120V, 208V, 400Hz, CA



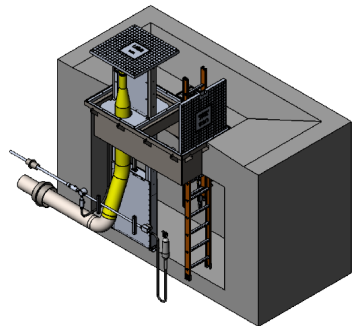
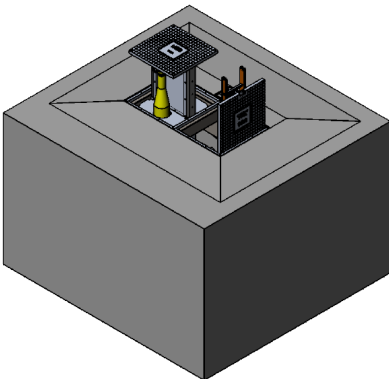
Lockheed Martin
120V, 480V, CA, COMM



Kadena AFB 120V, CA, PCA

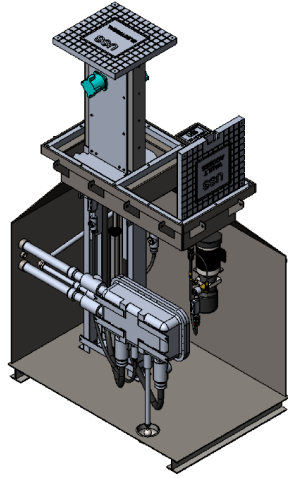
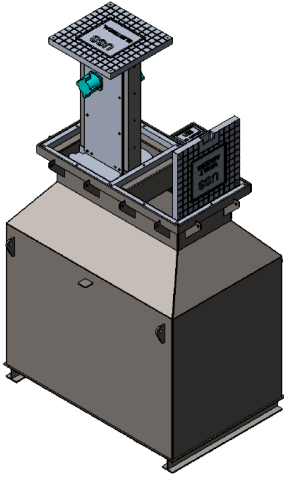


Vault Access 120V, CA, PCA



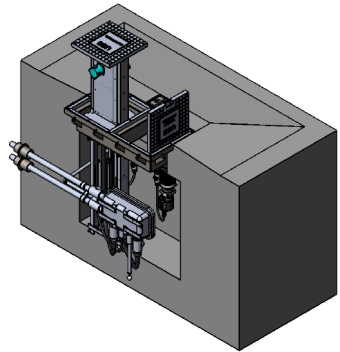
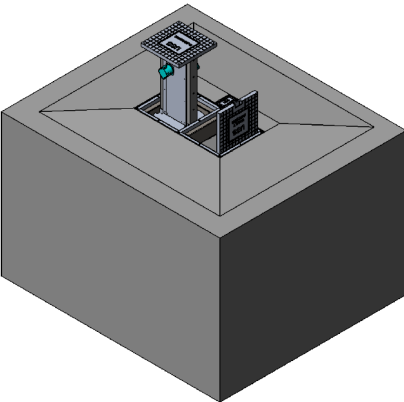
LAX Remote Parking

120V, 480V

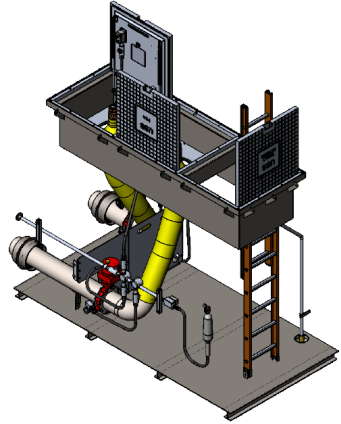
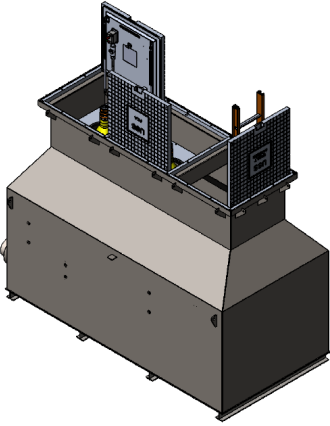


Vault Access

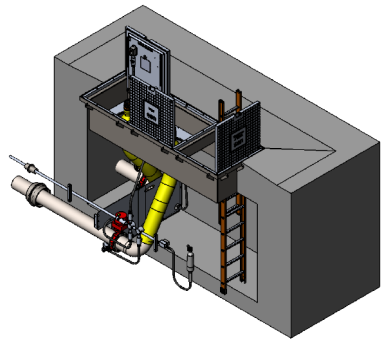
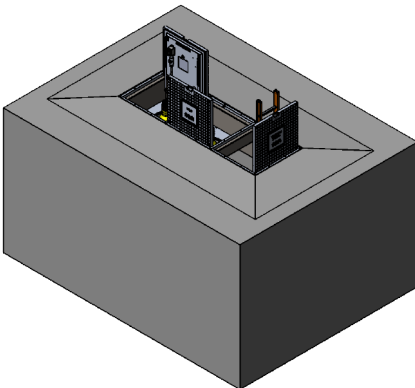
120V, 480V



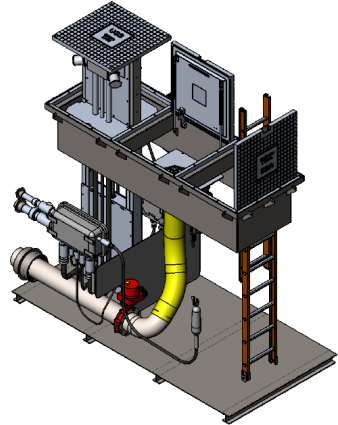
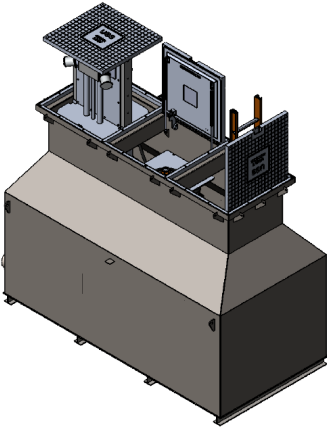
Lemoore NAS 120V, CA, PCA



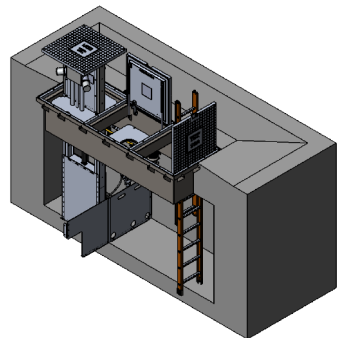
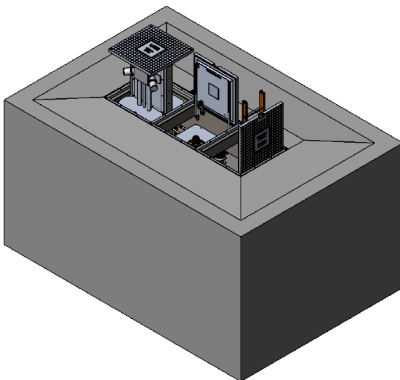
Vault Access 120V, CA, PCA



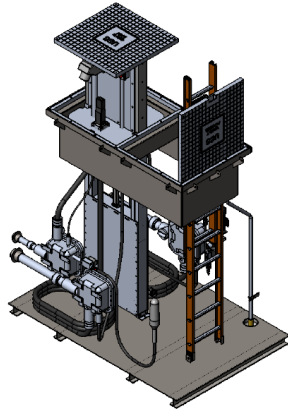
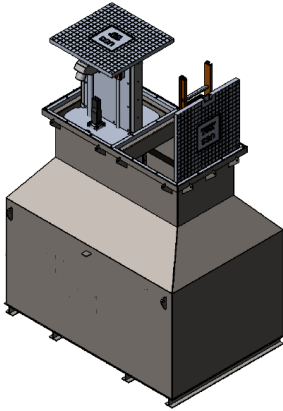
Luke AFB
120V, 480V, CA, PCA



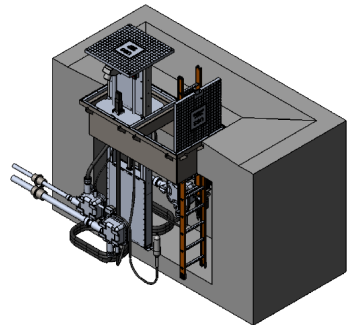
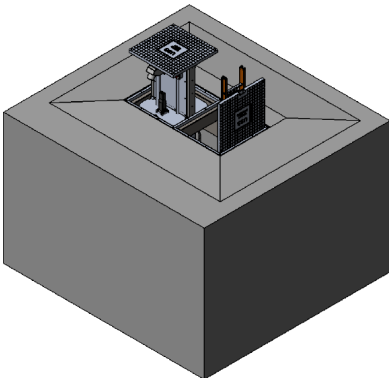
Vault Access
120V, 480V, CA, PCA



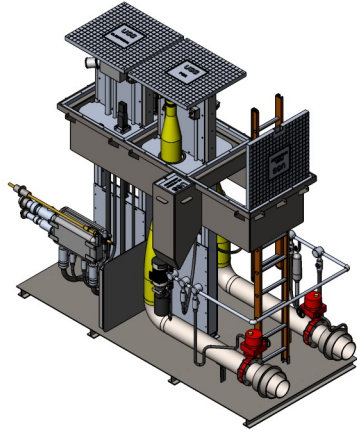
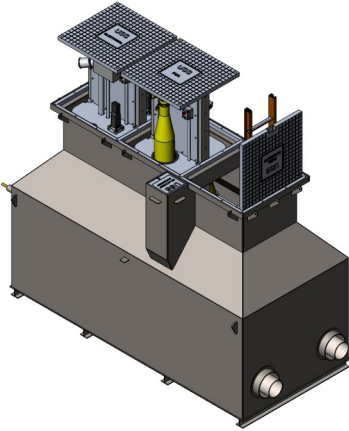
McConnell AFB
120V, 400Hz, 480V, CA,



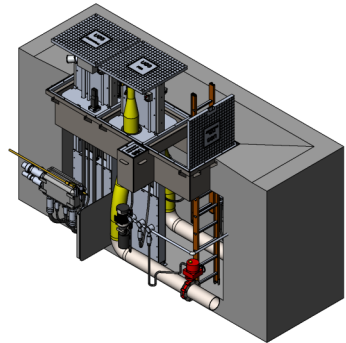
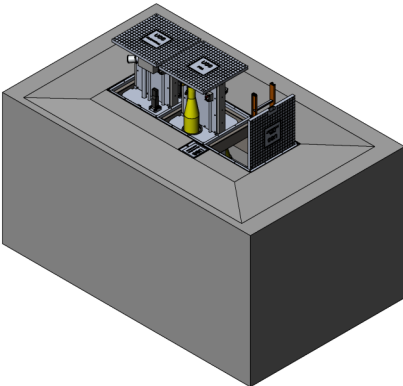
Vault Access
120V, 400Hz, 480V, CA,



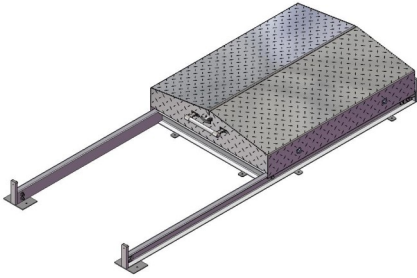
Korea 8-Bay Hangar 120V, 270V, 480V, CA, PCA



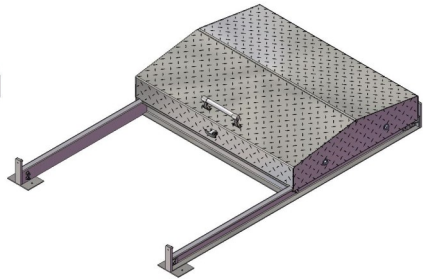
Vault Access 120V, 270V, 480V, CA, PCA



Rolling Covers

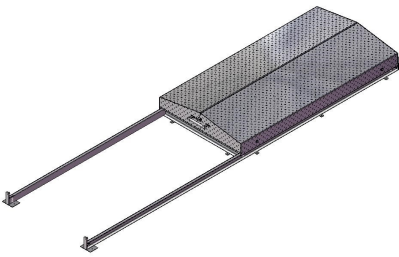


USS-RC44X56

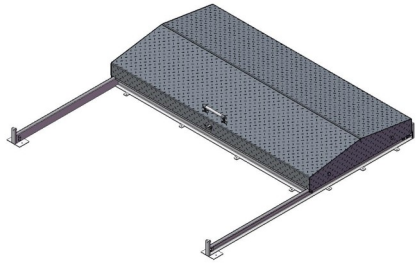


USS-RC56X44

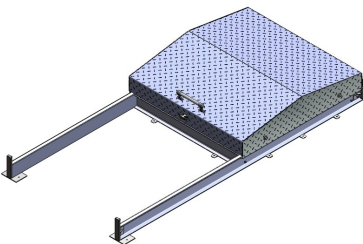
Custom Sizes Available



USS-RC60X120



USS-RC120X60

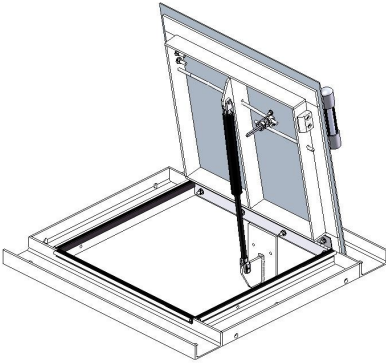


USS-RC72X72

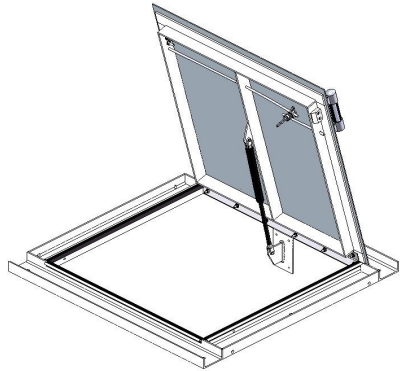


USS-RC(2)122X102

Hatch Covers



USS-HC24X24

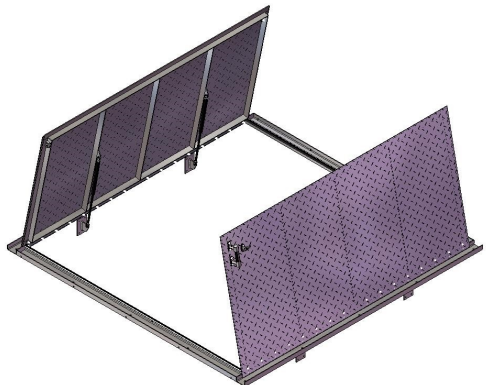


USS-HC36X36

Custom Sizes Available



USS-HC36X60



USS-HC(2)96X96

USS Projects

Airforce One – Andrews AFB	Marine One – Camp David	Elmendorf AFB
Pope AFB	Jacksonville NAS	Beaufort MAS
McGhee Tyson ANG	Yokota AFB, Japan	Lajes Field, Azores
Al Dhafra AFB, UAE	Jeddah, Saudi Arabia	Riyadh, Saudi Arabia
Cannon AFB	Luke AFB	Yuma MAS
Barksdale AFB	Lakehurst NAS	Iwakuni MAS
McConnell AFB	Lockheed Martin	Nagoya, Japan
Lemoore NAS	LAX Qantas Hanger	LAX Remote Parking
Port Canaveral	Portland Int'l.,	Philadelphia Int'l.
Dallas Love Field	Atlanta Hartsfield Int'l.	Fallon NAS
Bagram AB	Tinker AFB	Reno Tahoe
Dyess AFB	Anaconda	Rickenbacker Int'l.
NASA	Beale AFB	Dulles Int'l.
Memphis Int'l.	San Bernardino	Gimhae, Korea
Kunsan AFB	McCarran Int'l.,	Robins AFB
Chicago Midway	Northrop Grumman	Huatulco Airport
DHL, Cincinnati	Tinker AFB	Fort Drum AB
Houston Int'l	LAX Int'l. Terminals #1, #3, #4	Juarez Chihuahua Airport
San Francisco Int'l.,	Andersen AFB, Guam	North Island, Coronado,
Camp Shorabak, Afghanistan	Chicago O'Hare – Terminals #2, #3, #4	Hunter AAF

Man-Rated Covers

Materials

All structural components are fabricated using 6061-T6 aluminum. Rolling Covers are fabricated using 3003 Aluminum Tread-Brite; providing a lightweight, easy to install, securable, corrosion resistant, nearly maintenance free, and non-sparking product.

Hatches and Rolling Covers are constructed using a standard list of components; making any repairs due to damage a matter of ordering parts and typically a simple in-house repair.

All bolts, nuts, and etc. are stainless steel.

Fabrication

All fabrication welders are certified.

Recommended Maintenance

Covers - Clean and Wax every (6) months.

Wheels Bearings - Grease every (6) months.

Locks and Hinges - Clean and Oil once a year.

Aircraft-Rated Covers

Covers Sizes Available

Model	Opening
USS12	9" X 9"
USS24	20" X 20"
USS24(12)	20" X 20" with USS12
USS36	32" X 32"
USS36(12)	32" X 32" with USS12
USS36X60	32" X 56"
USS48	44" X 44"
USS48X60	44" X 56"

Fueling Systems

Commercial Hydrant Fueling, Military Hydrant Fuel / De-Fueling High Point Vents / Low Point Drains, Isolation Valve Pits / Vaults Surge Suppression Pits, Vault Access Covers

Electrical Systems

50 / 60 / 400 Hz Power

120V / 208V / 270V, 480V

28 / 72 Volt DC Power

Hydraulic Power, CP Access, Static Grounding

Air Systems

Compressed Air, Engine Start Air, Pre-Conditioned Air

Water & Drainage Systems

Potable & Wash Water, Lavatory Drainage

Sump Collection, Monitoring Wells

Call for Custom Designed Applications