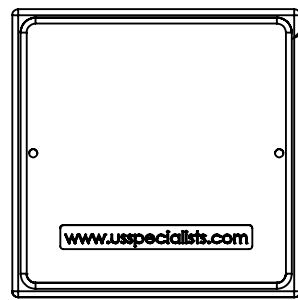
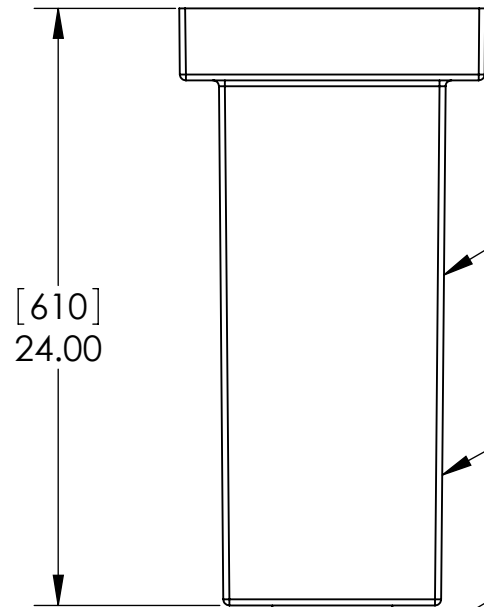


9.00x9.00 [229x229]  
INSIDE OPENING

TOP VIEW



COVER SEAL



[610]  
24.00

FRONT VIEW

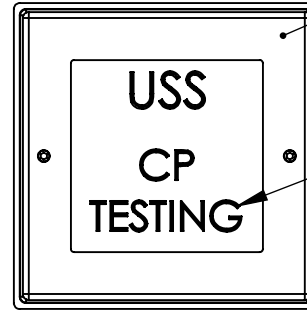
[229]  
9.00

.25 [6] THICK FIBERGLASS

INTERIOR/EXTERIOR  
GEL-COAT

4" [100MM] PVC COUPLING

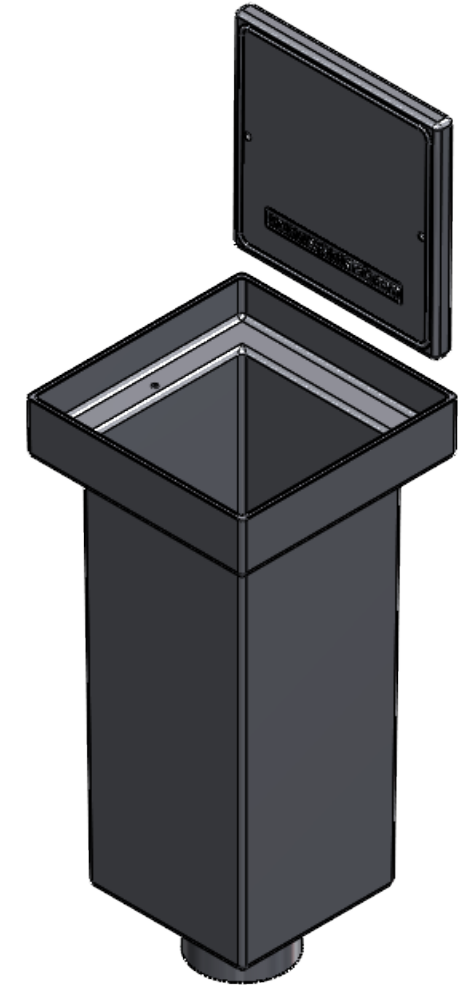
EMPTY PIT: 43 LB [20 KG]



PLAN VIEW

12.00x12.00 [305x305]  
MACHINED AL 6061 T6  
BOLT-DOWN COVER

SERVICE LETTERING



ISOMETRIC VIEW

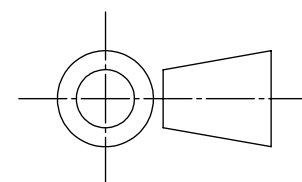
QUANTITY: \_\_\_\_

RELEASE FOR FABRICATION

NAME \_\_\_\_\_ SIGNATURE \_\_\_\_\_

DATE \_\_\_\_\_ COMPANY \_\_\_\_\_

[MILLIMETERS]  
INCHES



APPROVALS	DATE
DRAWN DLL	06-05-24
CHECKED DLL	06-05-24
APPROVED CDM	06-05-24
SHEET 1 OF 1	
SCALE: 1:8	SIZE: B

**USS, LLC**  
PHONE: (260) 693-1172 FAX: (260) 693-1178  
WEB SITE: WWW.USSPECIALISTS.COM

**USS12BD**  
**9X9-24D**  
**CP(4)**

THE INFORMATION ON THIS DRAWING IS PROPRIETARY AND IS NOT TO BE REVEALED TO THIRD PARTIES WITHOUT WRITTEN CONSENT OF A CORPORATE OFFICER OF USS, LLC.