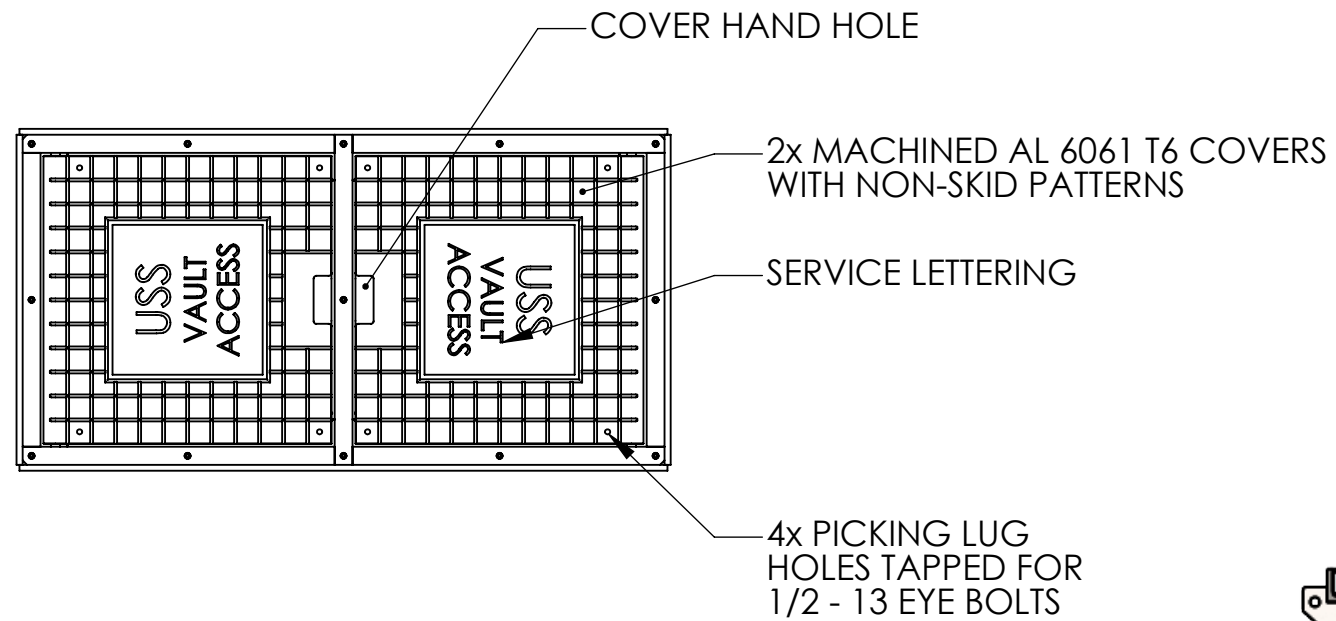
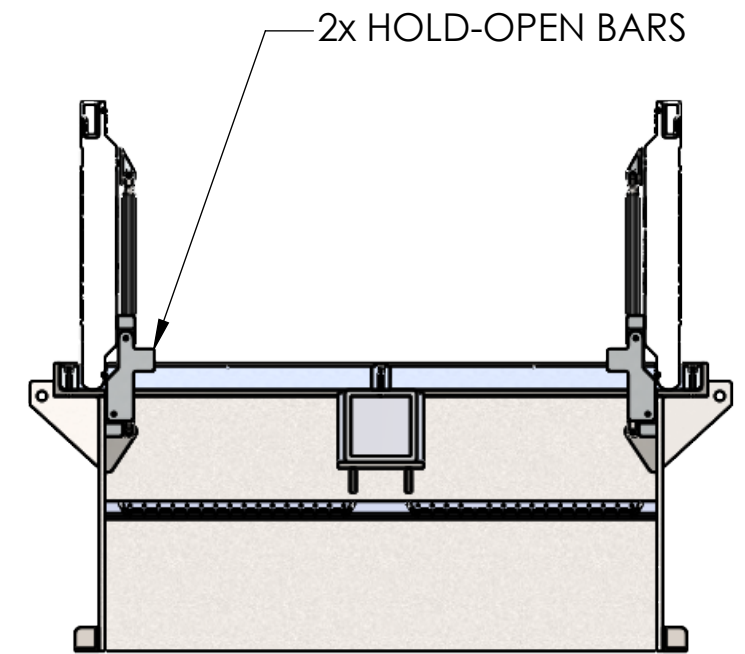


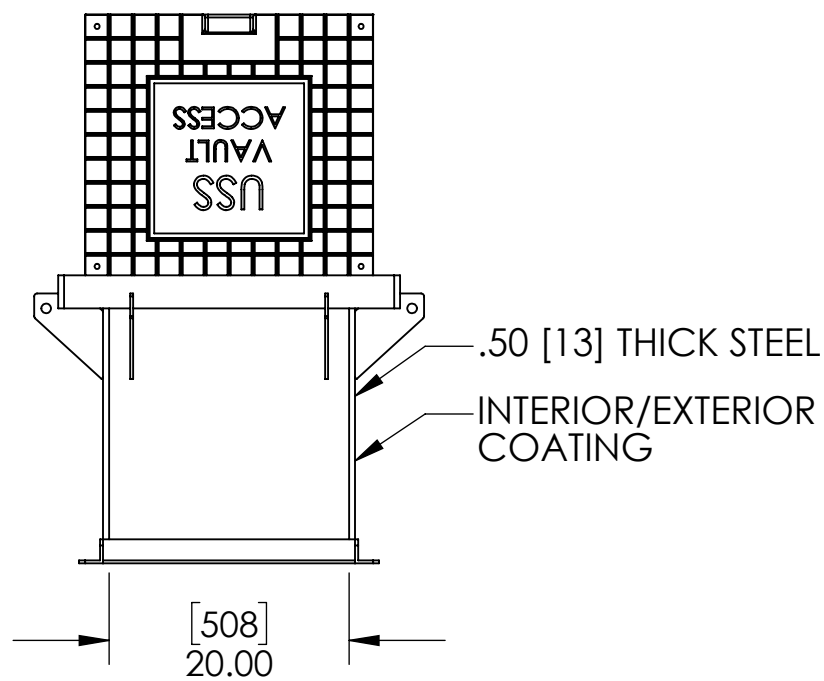
TOP VIEW



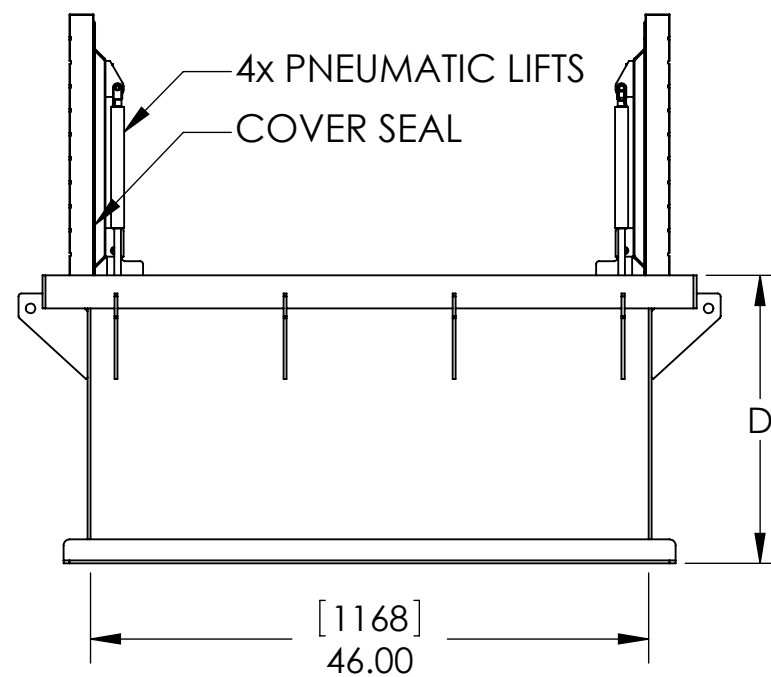
PLAN VIEW



FRONT CUT VIEW



FRONT VIEW



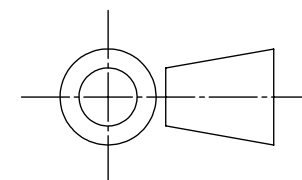
SIDE VIEW

STANDARD DEPTHS "D"

IN	MM	WT (LB)	WT (KG)
12	305	629	285
18	457	743	337
24	610	857	389
36	914	1085	492
48	1219	1313	595

OTHER DEPTHS AVAILABLE UPON REQUEST

[MILLIMETERS]
INCHES



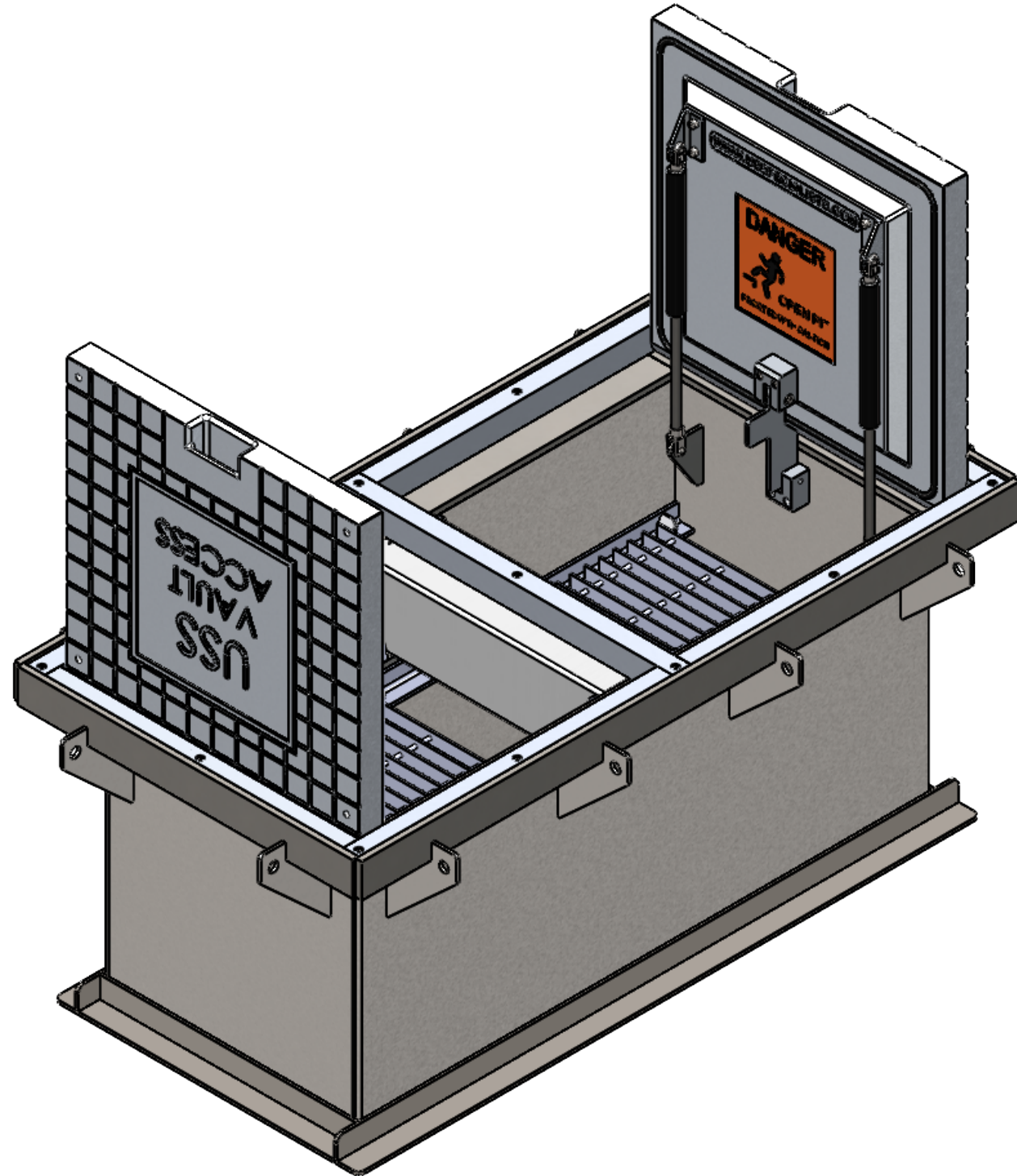
Utility Systems Specialists

APPROVALS	DATE
DRAWN DLL	09-17-24
CHECKED DLL	09-17-24
APPROVED CDM	09-17-24
SHEET 1 OF 2	
SCALE: 1:30	SIZE: B

USS, LLC
PHONE: (260) 693-1172 FAX: (260) 693-1178
WEB SITE: WWW.USSPECIALISTS.COM

USS(2)24-20x46
VA(SD,HO)-Steel
3 VIEW, CUT, PLAN

THE INFORMATION ON THIS DRAWING IS PROPRIETARY AND IS NOT TO BE REVEALED TO THIRD PARTIES WITHOUT WRITTEN CONSENT OF A CORPORATE OFFICER OF USS, LLC.



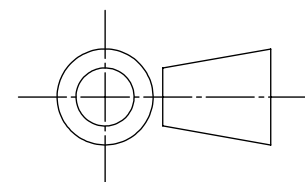
QUANTITY: _____
 DEPTH "D" (IN): _____

RELEASE FOR FABRICATION

NAME _____ SIGNATURE _____

DATE _____ COMPANY _____

[MILLIMETERS]
INCHES



Utility Systems Specialists

APPROVALS	DATE
DRAWN DLL	09-17-24
CHECKED DLL	09-17-24
APPROVED CDM	09-17-24
SHEET 2 OF 2	

SCALE: 1:9 SIZE: B

USS, LLC.
 PHONE: (260) 693-1172 FAX: (260) 693-1178
 WEB SITE: WWW.USSPECIALISTS.COM
USS(2)24-20x46
VA(SD,HO)-Steel
SUBMITTAL
THE INFORMATION ON THIS DRAWING IS PROPRIETARY AND IS NOT TO BE REVEALED TO THIRD PARTIES WITHOUT WRITTEN CONSENT OF A CORPORATE OFFICER OF USS, LLC.