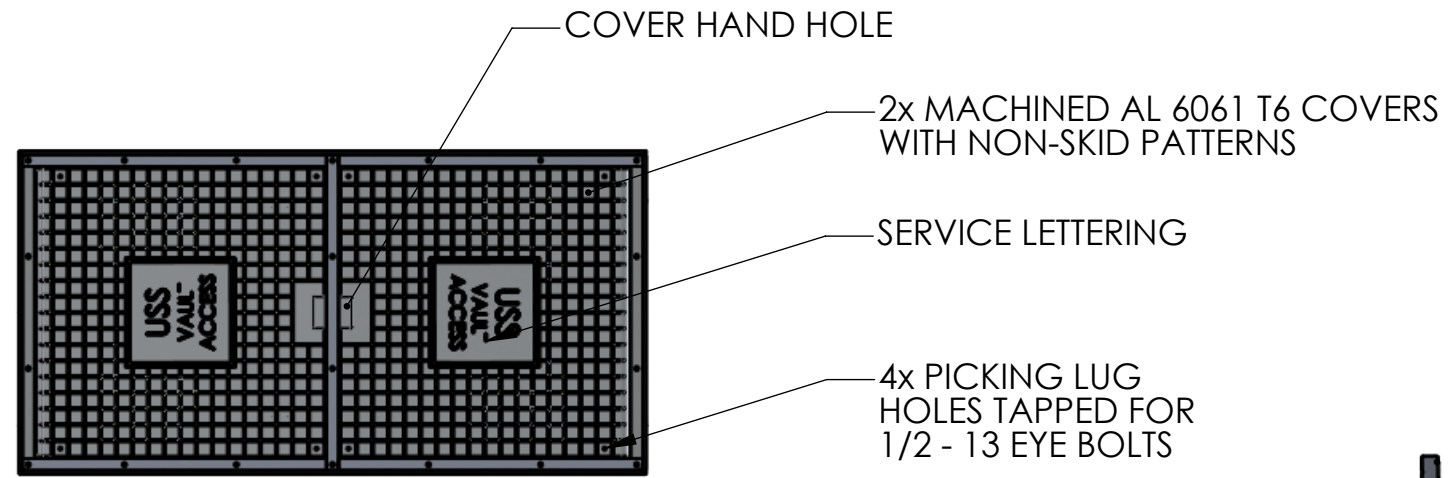
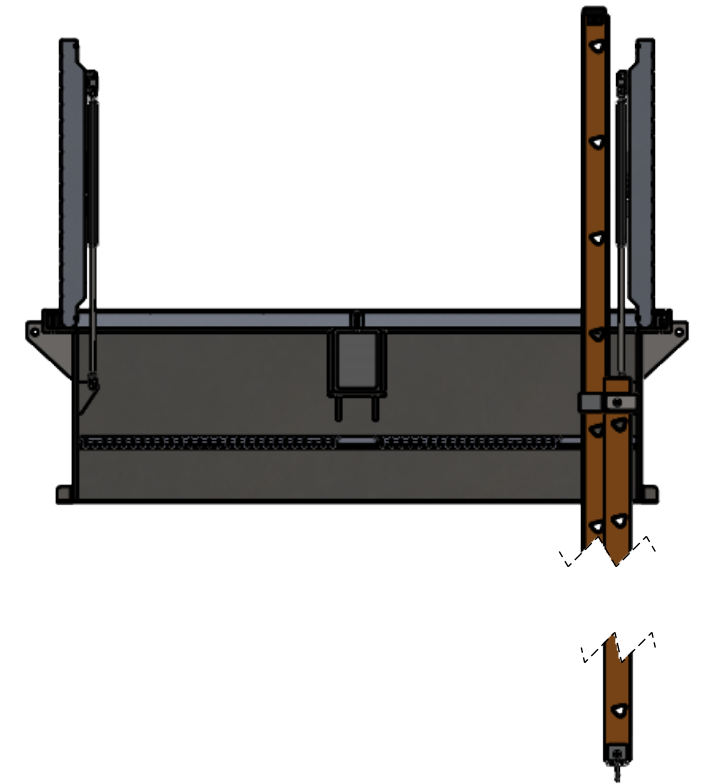


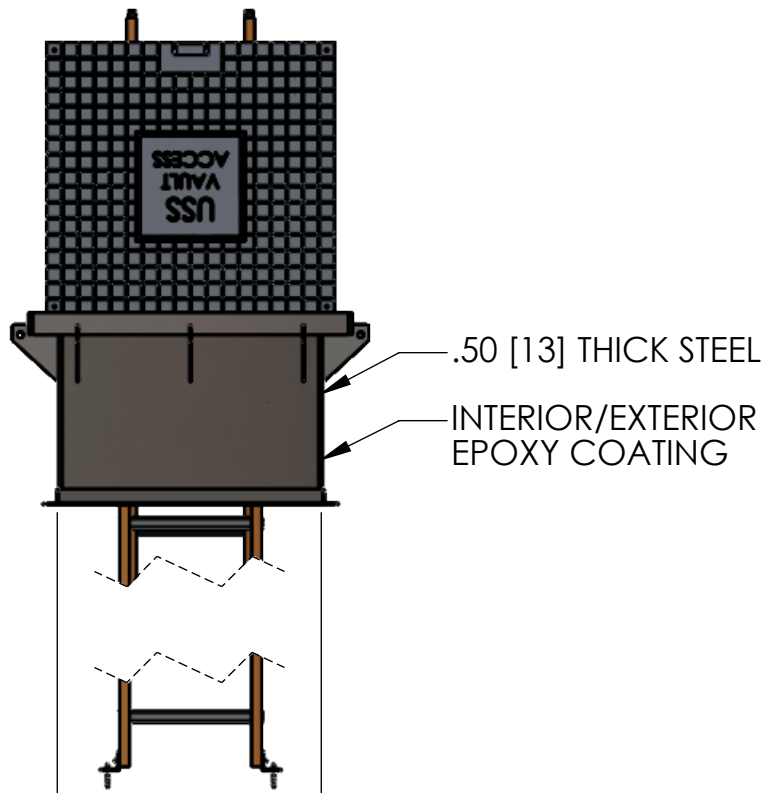
TOP VIEW



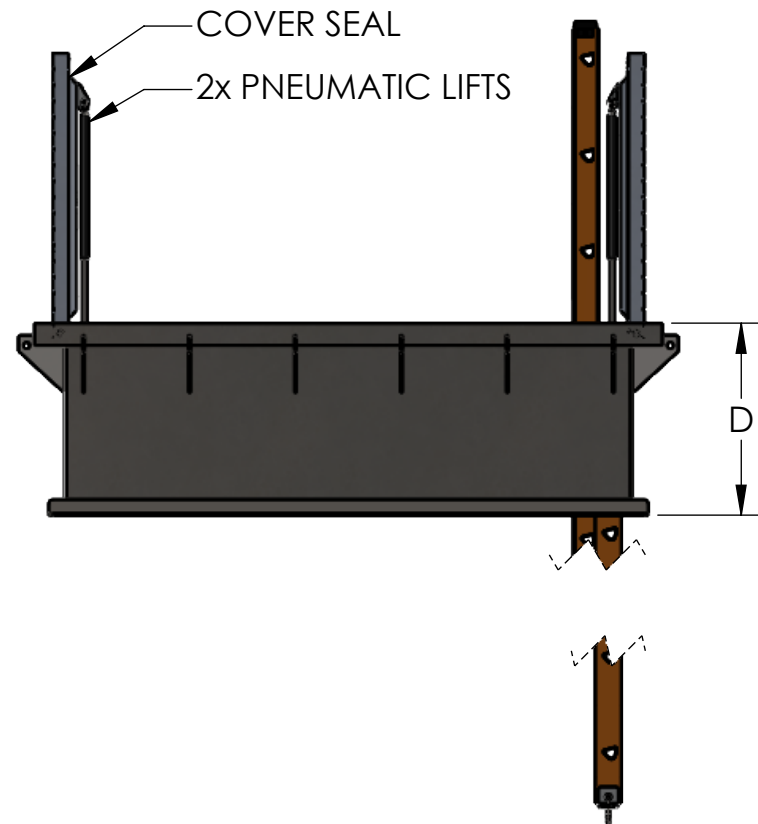
PLAN VIEW



FRONT CUT VIEW



FRONT VIEW



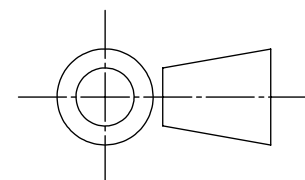
SIDE VIEW

STANDARD DEPTHS "D"

IN	MM	WT (LB)	WT (KG)
18	457	743	337
24	610	857	389
36	914	1085	492
48	1219	1313	595

OTHER DEPTHS AVAILABLE UPON REQUEST

[MILLIMETERS]  
INCHES

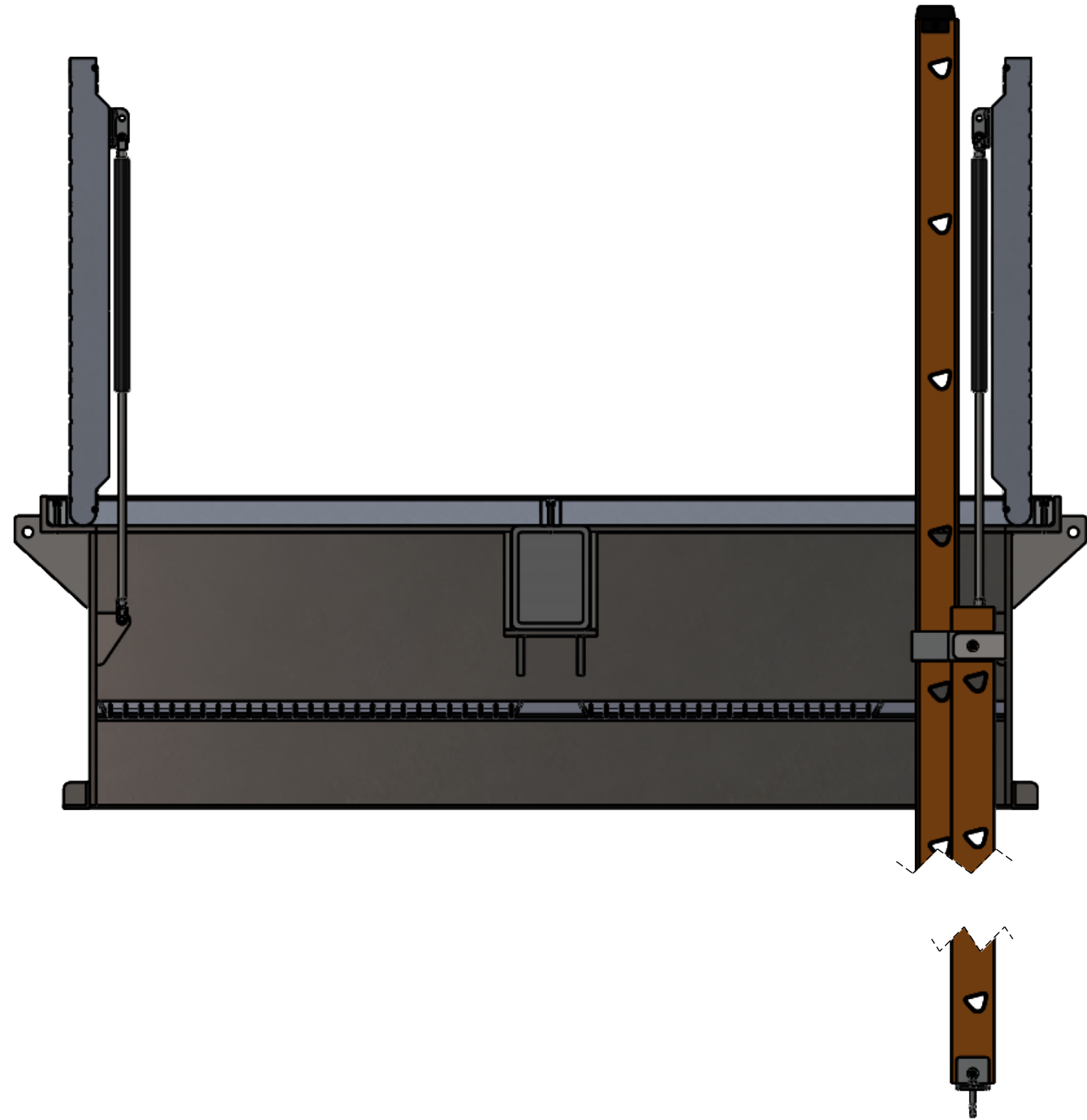


APPROVALS	DATE
DRAWN DLL	12-27-24
CHECKED DLL	12-27-24
APPROVED CDM	12-27-24
SHEET 1 OF 3	
SCALE: 1:24	SIZE: B

**USS, LLC**  
PHONE: (260) 693-1172 FAX: (260) 693-1178  
WEB SITE: WWW.USSPECIALISTS.COM

**USS(2)36-32x70**  
**VA(SD,HO,L)-Steel**  
**3-VIEW, PLAN, CUT**

THE INFORMATION ON THIS DRAWING IS PROPRIETARY AND IS NOT TO BE REVEALED TO THIRD PARTIES WITHOUT WRITTEN CONSENT OF A CORPORATE OFFICER OF USS, LLC.

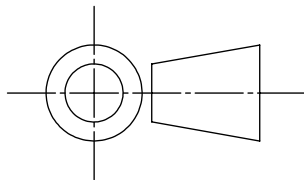


QUANTITY: \_\_\_\_\_

**RELEASE FOR FABRICATION**

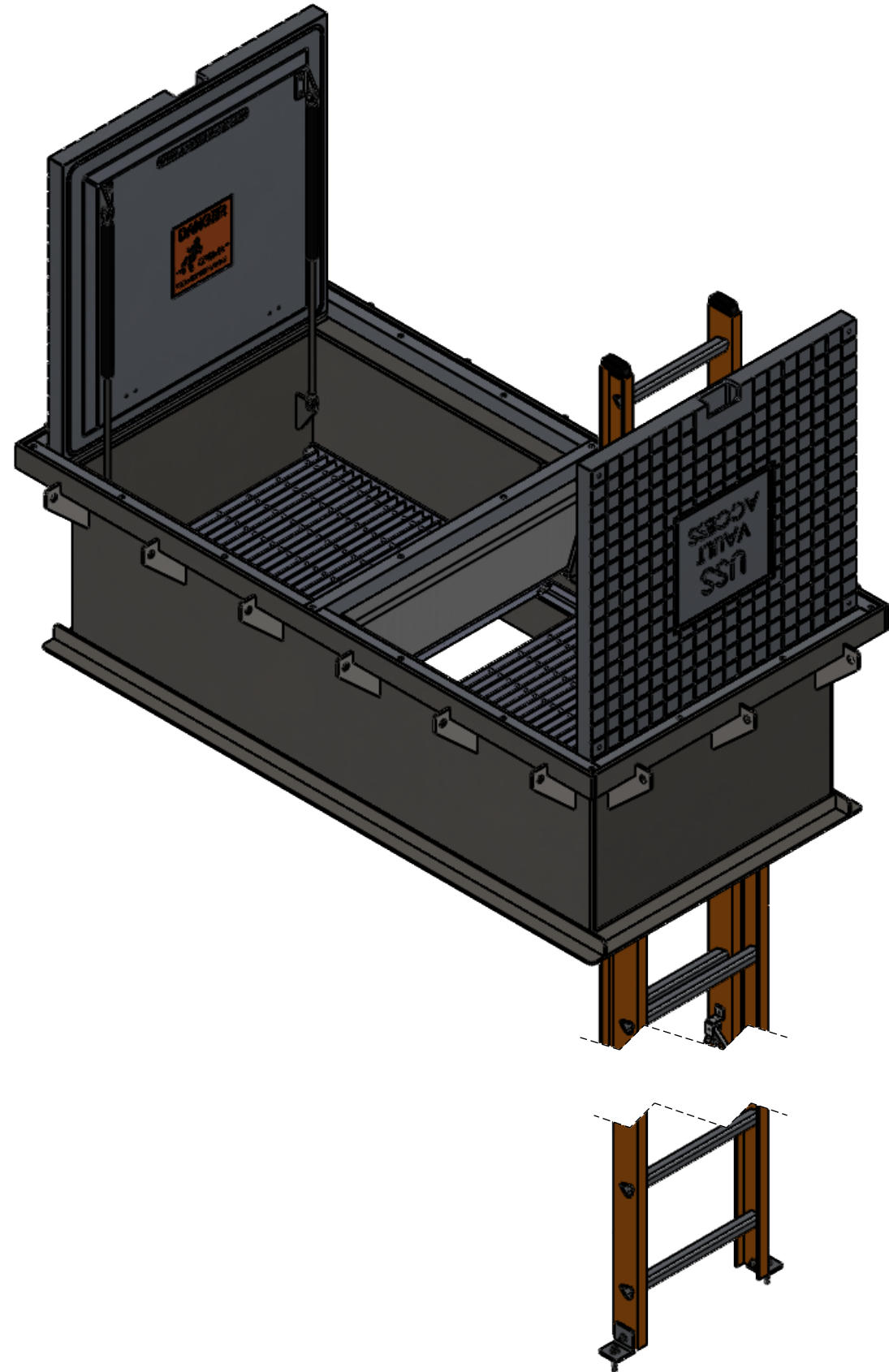
NAME \_\_\_\_\_ SIGNATURE \_\_\_\_\_  
 DATE \_\_\_\_\_ COMPANY \_\_\_\_\_

[MILLIMETERS]  
INCHES

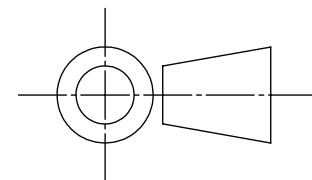


APPROVALS	DATE
DRAWN DLL	12-27-24
CHECKED DLL	12-27-24
APPROVED CDM	12-27-24
SHEET 2 OF 3	
SCALE: 1:12	SIZE: B

**USS, LLC**  
 PHONE: (260) 693-1172 FAX: (260) 693-1178  
 WEB SITE: WWW.USSPECIALISTS.COM  
**USS(2)36-32x70**  
**VA(SD,HO,L)-Steel**  
**SUBMITTAL**  
THE INFORMATION ON THIS DRAWING IS PROPRIETARY AND IS NOT TO BE REVEALED TO THIRD PARTIES WITHOUT WRITTEN CONSENT OF A CORPORATE OFFICER OF USS, LLC.



[MILLIMETERS]  
INCHES



APPROVALS	DATE
DRAWN DLL	12-27-24
CHECKED DLL	12-27-24
APPROVED CDM	12-27-24
SHEET 3 OF 3	
SCALE: 1:15	SIZE: B

**USS, LLC**  
 PHONE: (260) 693-1172 FAX: (260) 693-1178  
 WEB SITE: WWW.USSPECIALISTS.COM

**USS(2)36-32x70**  
**VA(SD,HO,L)-Steel**  
**ISO VIEW**

THE INFORMATION ON THIS DRAWING IS PROPRIETARY AND IS NOT TO BE REVEALED TO THIRD PARTIES WITHOUT WRITTEN CONSENT OF A CORPORATE OFFICER OF USS, LLC.