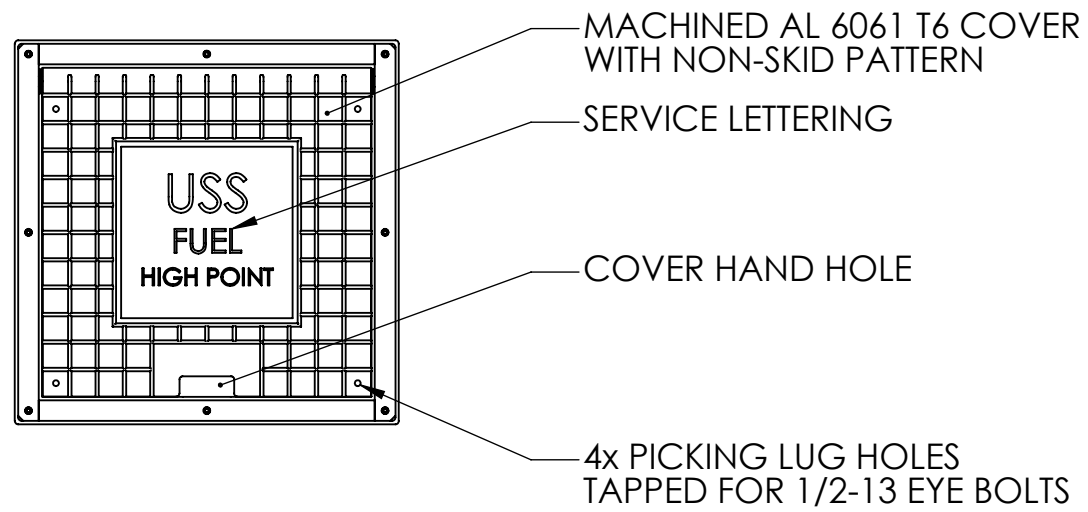
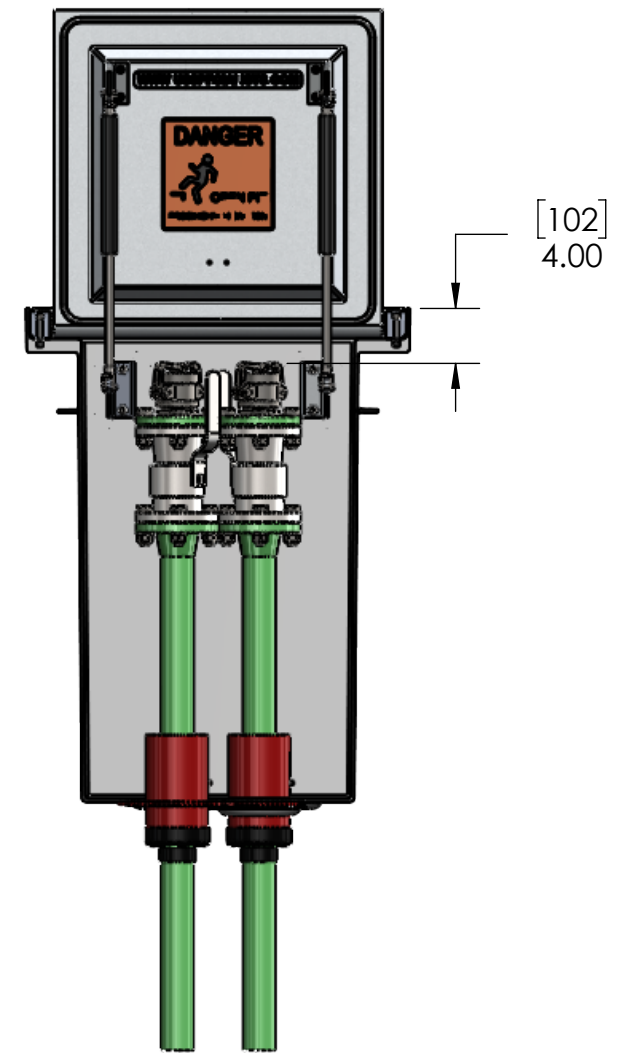


TOP VIEW

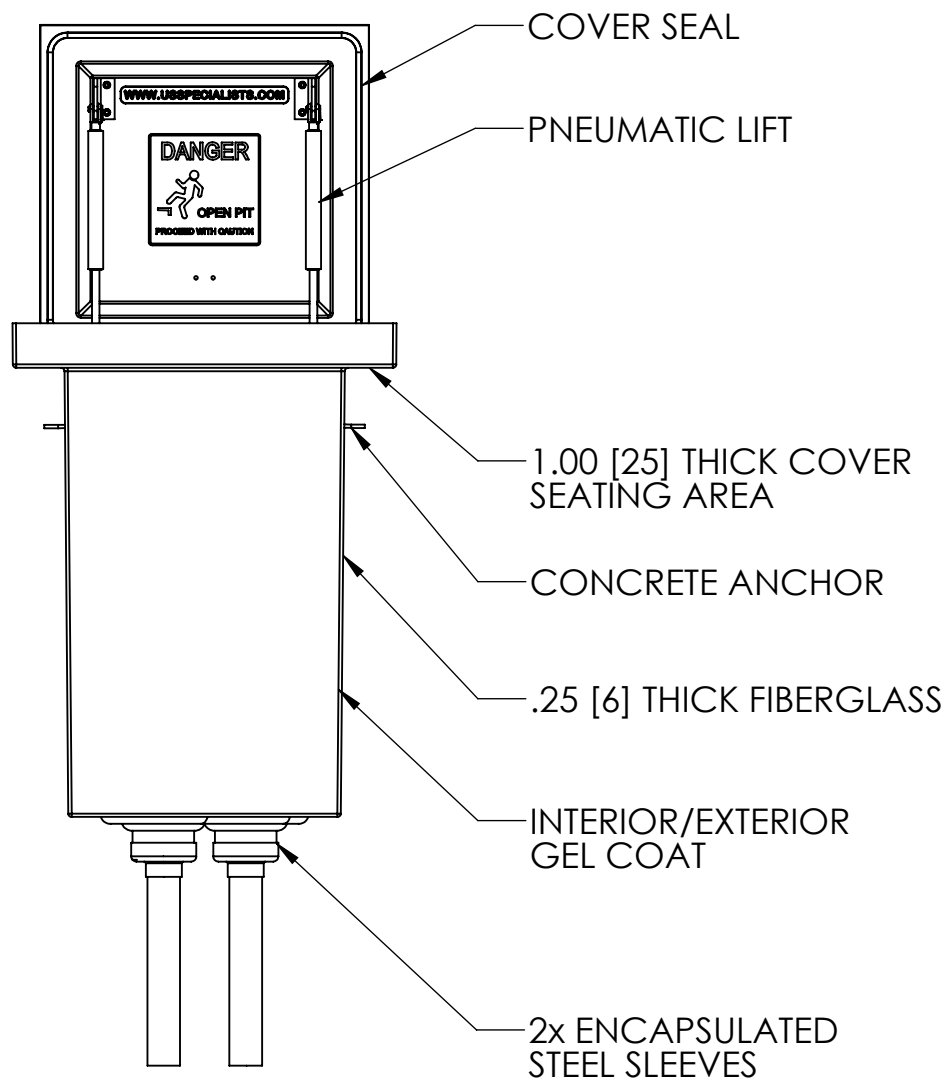


PLAN VIEW

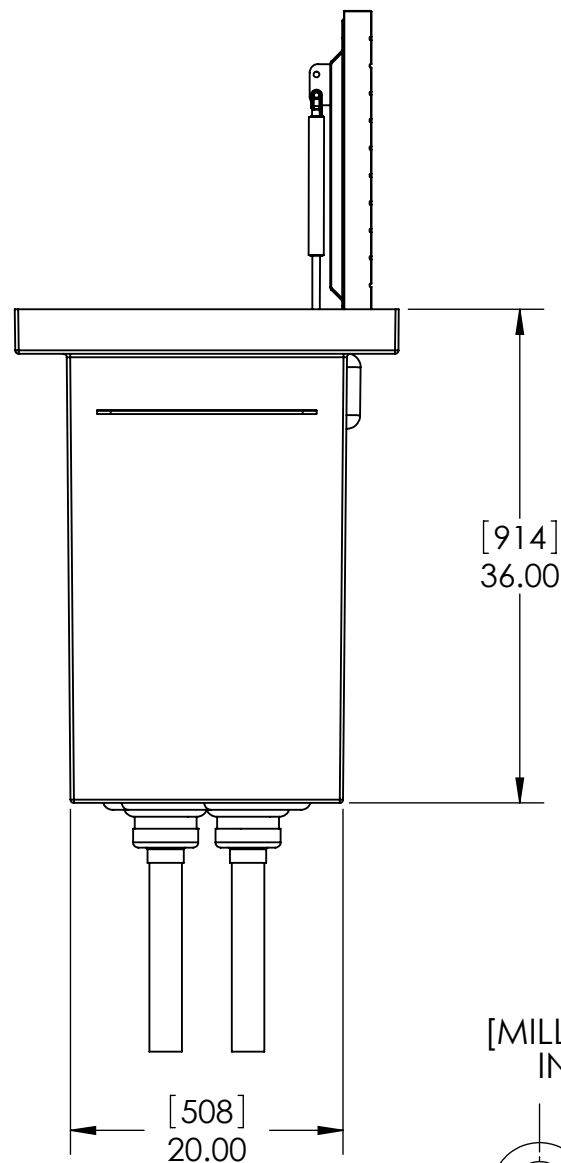


FRONT CUT VIEW

INTERNAL COMPONENTS SHOWN FOR REFERENCE. NO INTERNAL COMPONENTS PROVIDED

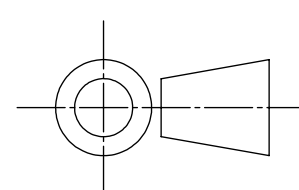


FRONT VIEW



SIDE VIEW

[MILLIMETERS]
INCHES

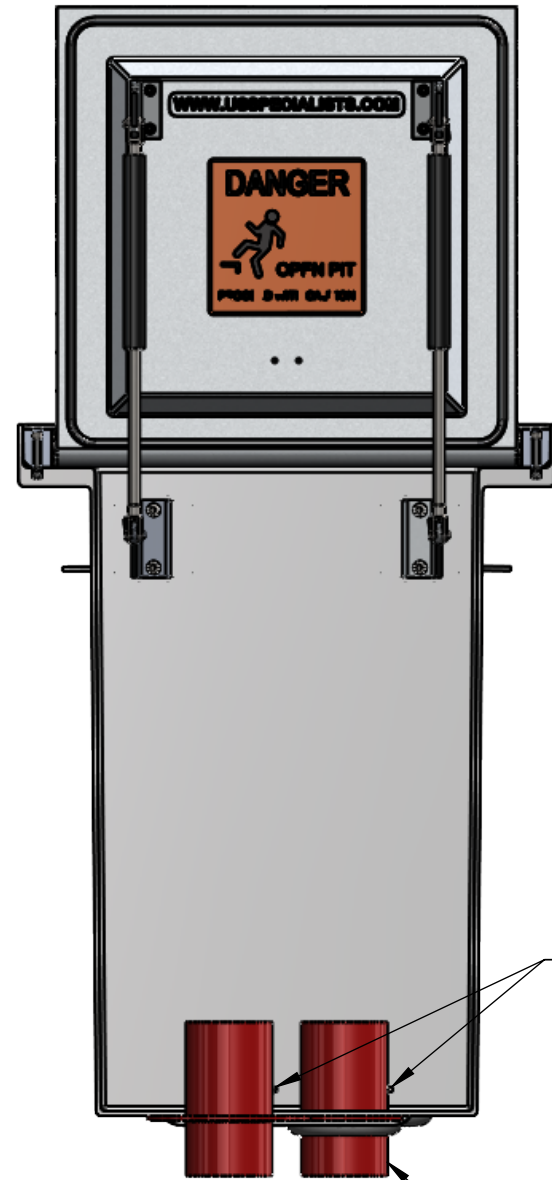


APPROVALS	DATE
DRAWN DLL	05-16-24
CHECKED DLL	05-16-24
APPROVED CDM	05-16-24
SHEET 1 OF 3	
SCALE: 1:14	SIZE: B

USS, LLC
 PHONE: (260) 693-1172 FAX: (260) 693-1178
 WEB SITE: WWW.USSPECIALISTS.COM

USS24-20x20-36D
(2)HPVBA(2)[4]
3-VIEW, PLAN, CUT

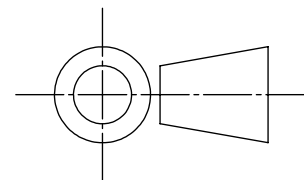
THE INFORMATION ON THIS DRAWING IS PROPRIETARY AND IS NOT TO BE REVEALED TO THIRD PARTIES WITHOUT WRITTEN CONSENT OF A CORPORATE OFFICER OF USS, LLC.



1/4" NPT PIPE PLUGS

2x STEEL SLEEVES
MODEL NO. WS-4-23-S-8

[MILLIMETERS]
INCHES



EMPTY PIT: 299 LB [136 KG]

QUANTITY _____

RELEASE FOR FABRICATION

NAME _____ SIGNATURE _____

DATE _____ COMPANY _____

APPROVALS	DATE
DRAWN DLL	05-16-24
CHECKED DLL	05-16-24
APPROVED CDM	05-16-24

USS, LLC
PHONE: (260) 693-1172 FAX: (260) 693-1178
WEB SITE: WWW.USSPECIALISTS.COM

USS24-20x20-36D
(2)HPVBA(2)[4]

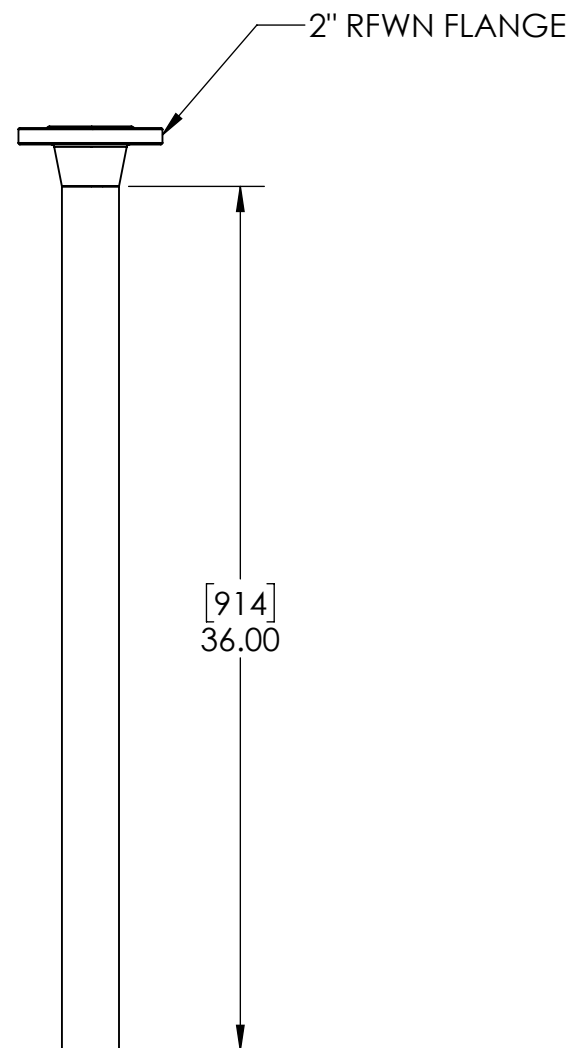
SHEET 2 OF 3

SUBMITTAL

SCALE: 1:10 SIZE: B

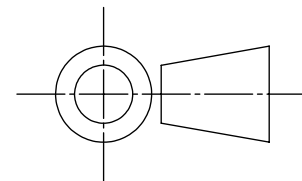
THE INFORMATION ON THIS DRAWING IS PROPRIETARY AND IS NOT TO BE REVEALED TO THIRD PARTIES WITHOUT WRITTEN CONSENT OF A CORPORATE OFFICER OF USS, LLC.





STACK-UP COMPONENTS SHOWN TO SCALE. HOWEVER, CONTRACTOR SHOULD PROTOTYPE AND FIELD TEST FIRST ARTICLE BEFORE FABRICATING REMAINING STACK-UPS.

[MILLIMETERS]
INCHES



APPROVALS	DATE
DRAWN DLL	05-16-24
CHECKED DLL	05-16-24
APPROVED CDM	05-16-24
SHEET 3 OF 3	
SCALE: 1:10	SIZE: B

USS, LLC
PHONE: (260) 693-1172 FAX: (260) 693-1178
WEB SITE: WWW.USSPECIALISTS.COM

USS24-20x20-36D

(2)HPVBA(2)[4]

STACK-UP

THE INFORMATION ON THIS DRAWING IS PROPRIETARY AND IS NOT TO BE REVEALED TO THIRD PARTIES WITHOUT WRITTEN CONSENT OF A CORPORATE OFFICER OF USS, LLC.