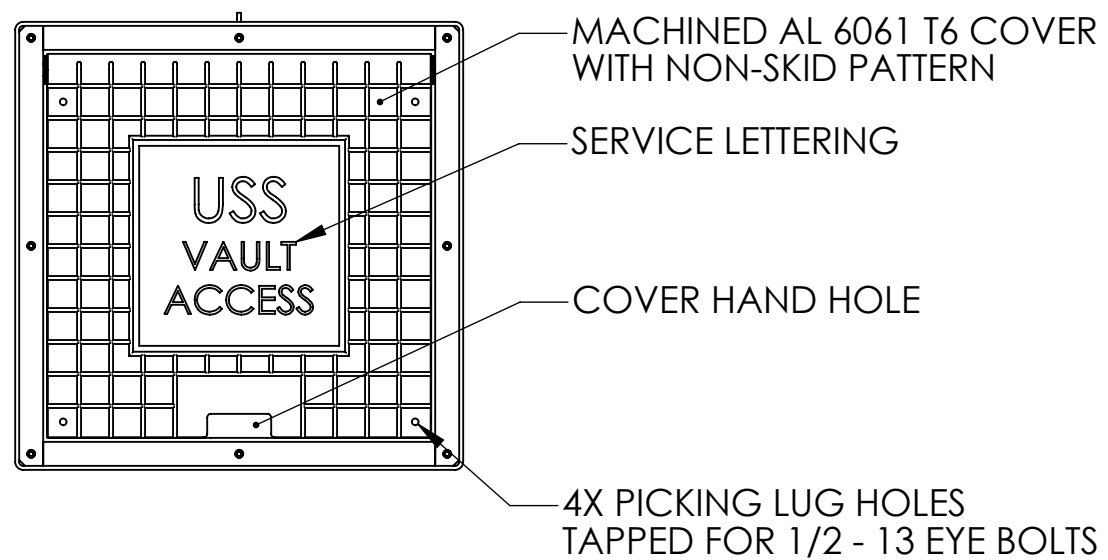
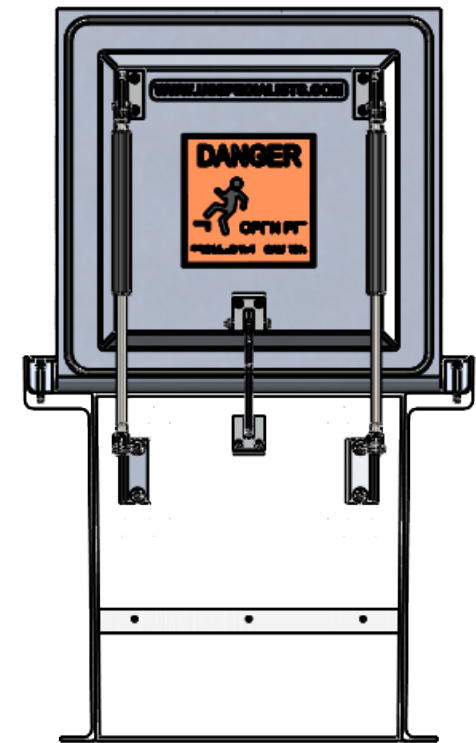


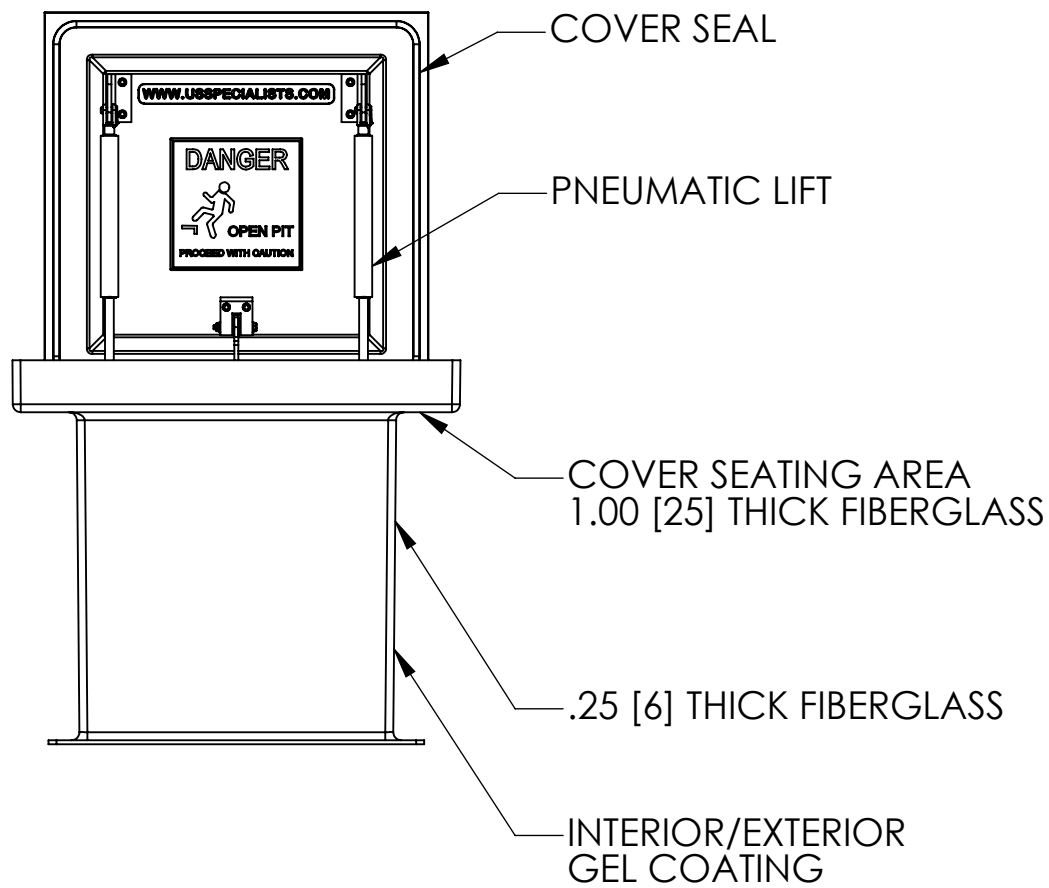
TOP VIEW



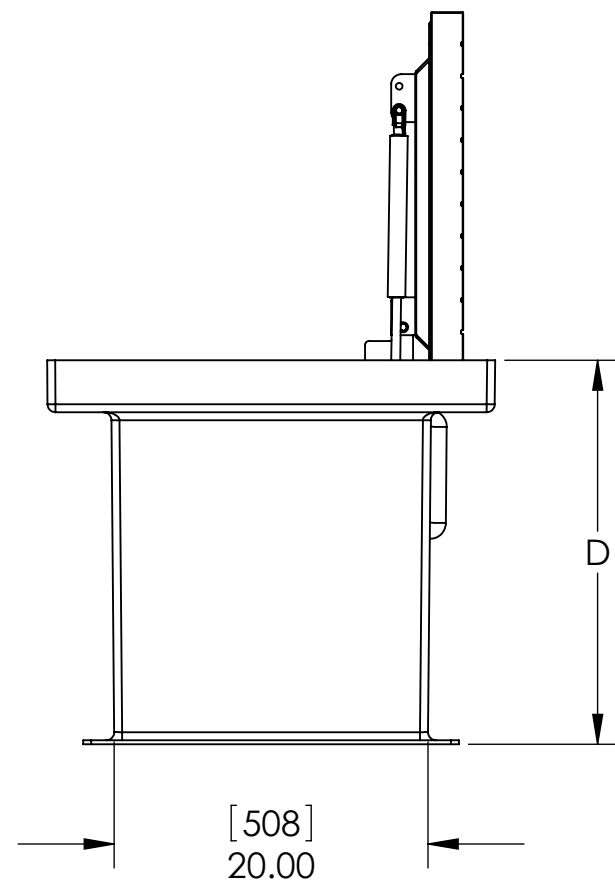
PLAN VIEW



FRONT CUT VIEW



FRONT VIEW



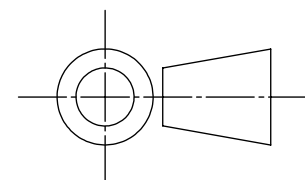
SIDE VIEW

STANDARD DEPTHS "D"

IN	MM	WT (LB)	WT (KG)
12	305	221	100
18	457	228	103
24	610	235	107
36	914	248	112

CUSTOM DEPTHS ALSO AVAILABLE

[MILLIMETERS] INCHES

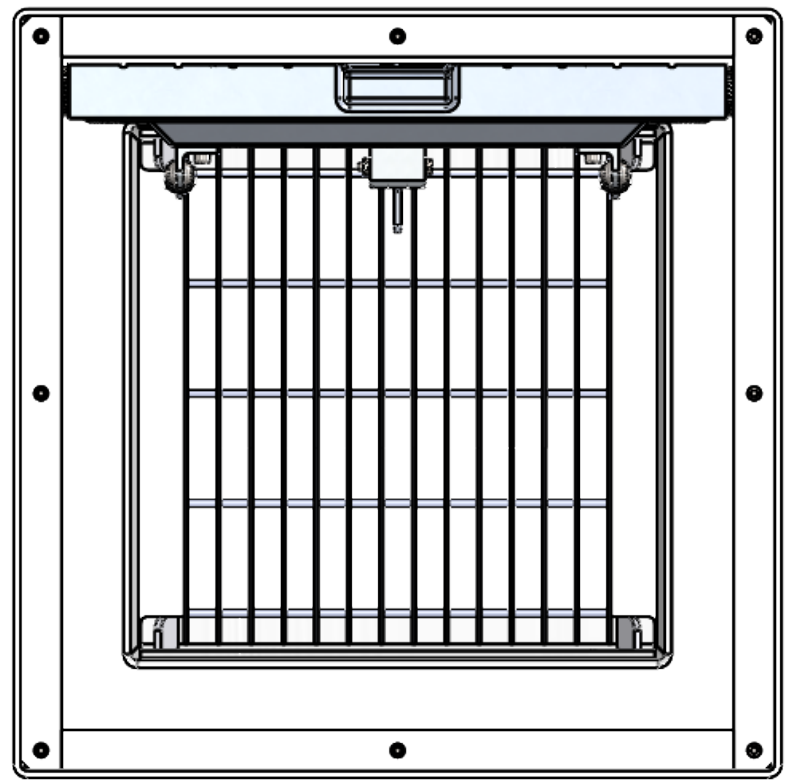
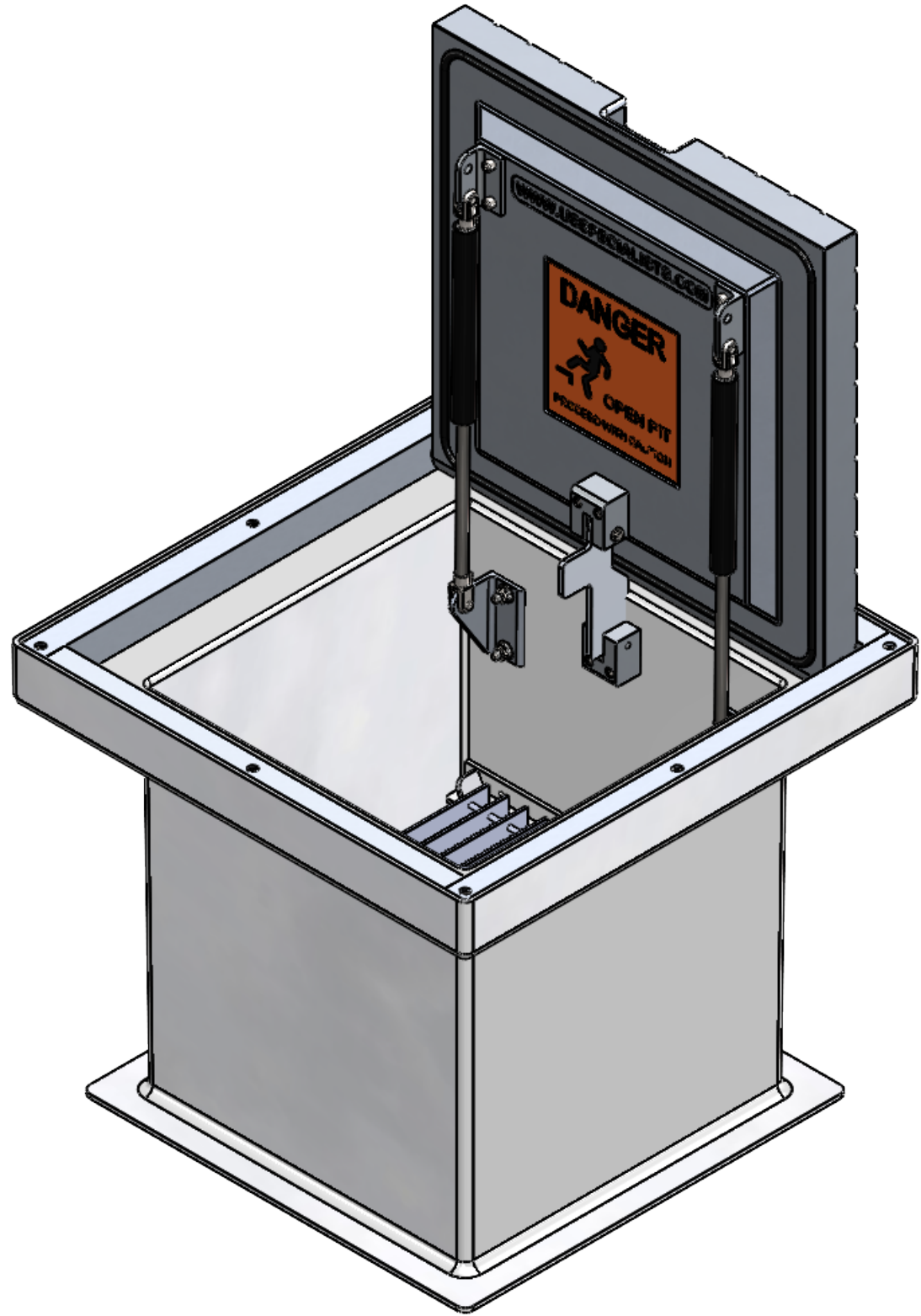


APPROVALS	DATE
DRAWN DLL	12-30-24
CHECKED DLL	12-30-24
APPROVED CDM	12-30-24
SHEET 1 OF 2	
SCALE: 1:12	SIZE: B

USS, LLC
 PHONE: (260) 693-1172 FAX: (260) 693-1178
 WEB SITE: WWW.USSPECIALISTS.COM

USS24-20x20
VA(SD)
3 VIEW, PLAN, CUT

THE INFORMATION ON THIS DRAWING IS PROPRIETARY AND IS NOT TO BE REVEALED TO THIRD PARTIES WITHOUT WRITTEN CONSENT OF A CORPORATE OFFICER OF USS, LLC.

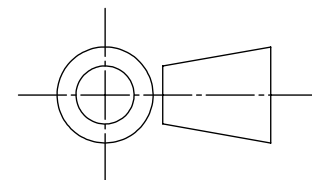


QUANTITY: _____

RELEASE FOR FABRICATION

NAME _____ SIGNATURE _____
 DATE _____ COMPANY _____

[MILLIMETERS]
INCHES



APPROVALS	DATE
DRAWN DLL	12-30-24
CHECKED DLL	12-30-24
APPROVED CDM	12-30-24
SHEET 2 OF 2	
SCALE: 1:7	SIZE: B

USS, LLC
 PHONE: (260) 693-1172 FAX: (260) 693-1178
 WEB SITE: WWW.USSPECIALISTS.COM
USS24-20x20
VA(SD)
SUBMITTAL
THE INFORMATION ON THIS DRAWING IS PROPRIETARY AND IS NOT TO BE REVEALED TO THIRD PARTIES WITHOUT WRITTEN CONSENT OF A CORPORATE OFFICER OF USS, LLC.

Utility Systems Specialists