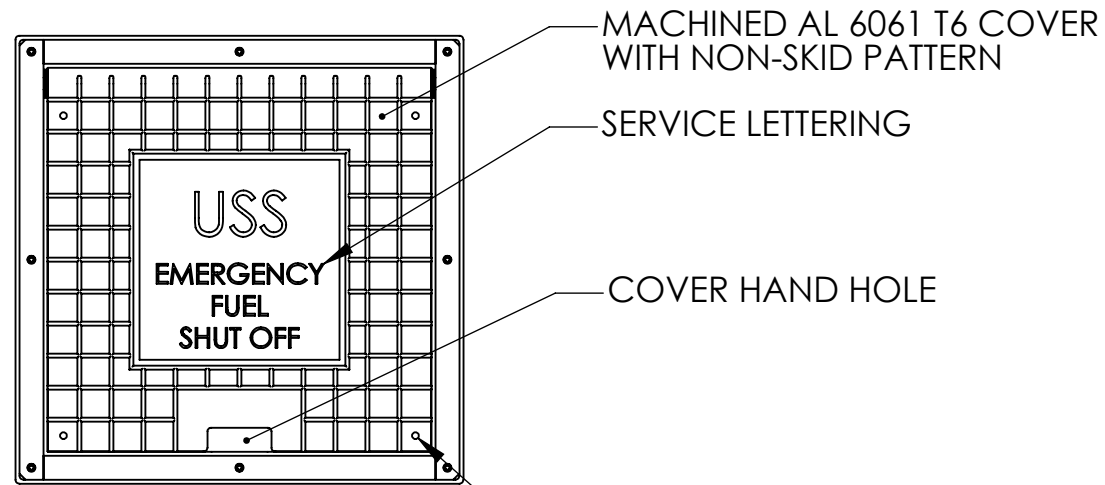
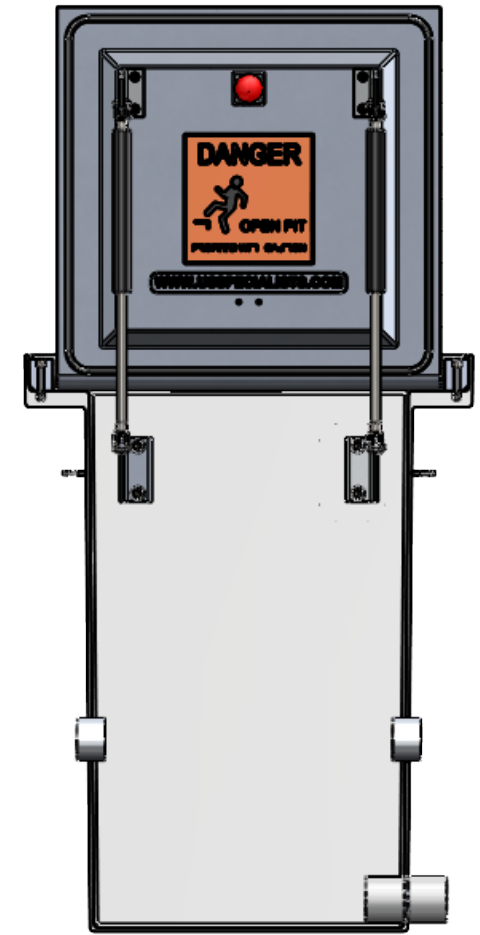


TOP VIEW



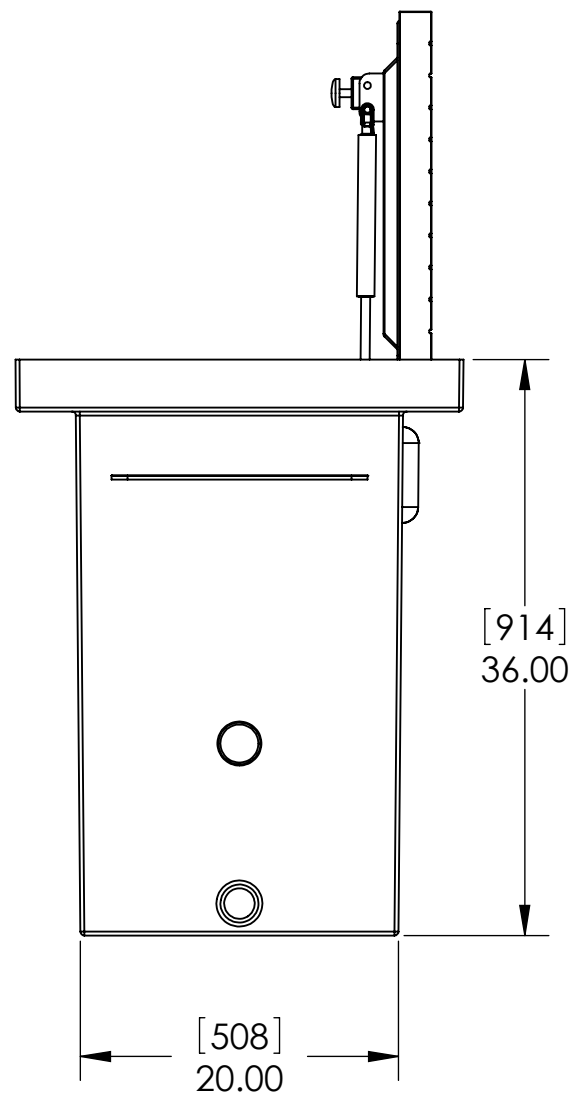
PLAN VIEW



FRONT CUT VIEW

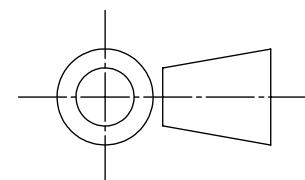


FRONT VIEW



SIDE VIEW

[MILLIMETERS]
INCHES



APPROVALS	DATE
DRAWN DLL	08-07-24
CHECKED DLL	08-07-24
APPROVED CDM	08-07-24
SHEET 1 OF 3	
SCALE: 1:12	SIZE: B

USS, LLC
PHONE: (260) 693-1172 FAX: (260) 693-1178
WEB SITE: WWW.USSPECIALISTS.COM

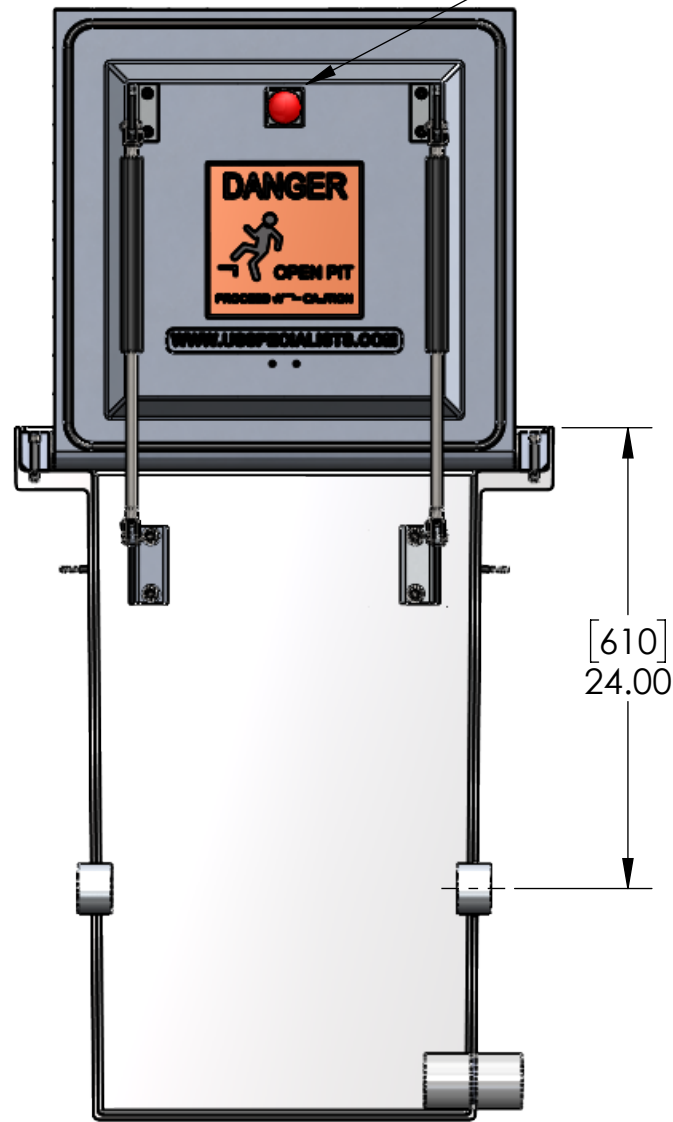
USS24-20x20-36D

EFSO

3 VIEW, ISO, PLAN

THE INFORMATION ON THIS DRAWING IS PROPRIETARY AND IS NOT TO BE REVEALED TO THIRD PARTIES WITHOUT WRITTEN CONSENT OF A CORPORATE OFFICER OF USS, LLC.

EFSO PUSH-BUTTON
PROVIDED BY CUSTOMER



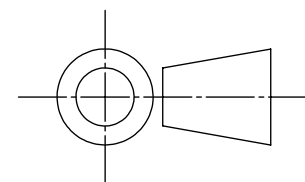
QUANTITY _____

RELEASE FOR FABRICATION

NAME _____ SIGNATURE _____

DATE _____ COMPANY _____

[MILLIMETERS]
INCHES



APPROVALS	DATE
DRAWN DLL	08-07-24
CHECKED DLL	08-07-24
APPROVED CDM	08-07-24
SHEET 2 OF 3	
SCALE: 1:10	SIZE: B

USS, LLC
PHONE: (260) 693-1172 FAX: (260) 693-1178
WEB SITE: WWW.USSPECIALISTS.COM

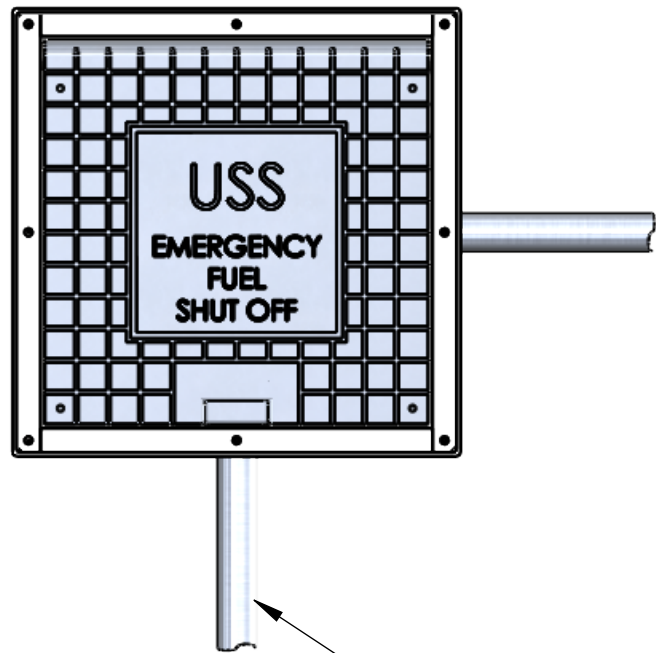
USS24-20x20-36D

EFSO

SUBMITTAL

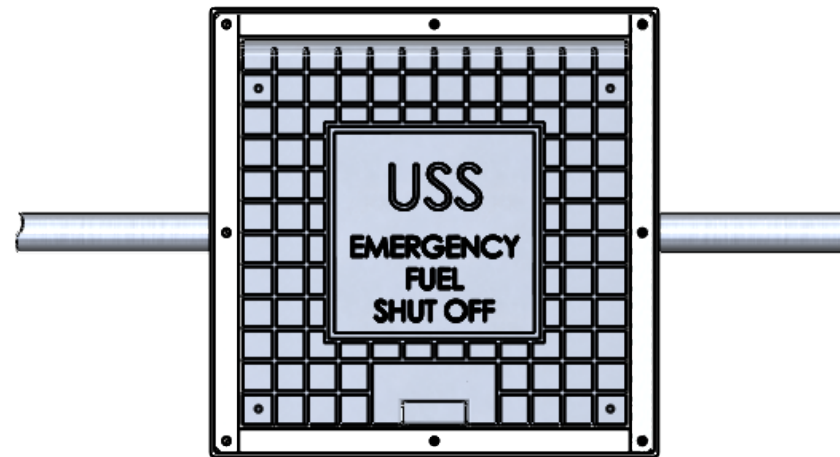
THE INFORMATION ON THIS DRAWING IS PROPRIETARY AND IS NOT TO BE REVEALED TO THIRD PARTIES WITHOUT WRITTEN CONSENT OF A CORPORATE OFFICER OF USS, LLC.

EMPTY PIT: 281 LB [127 KG]

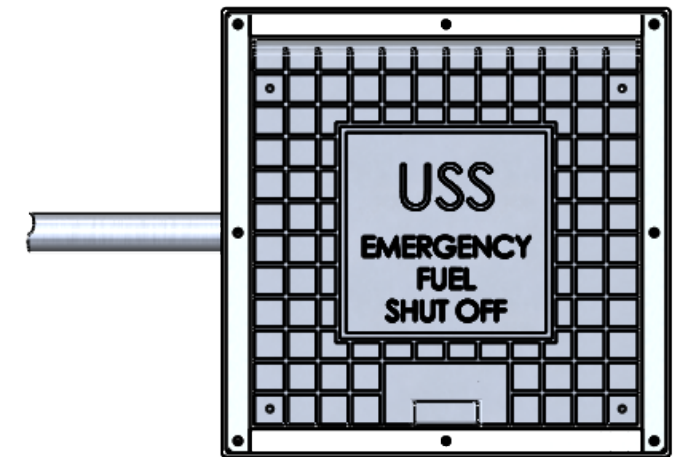


PIT 1
90 DEG. TURN

2" CONDUIT TO MOV



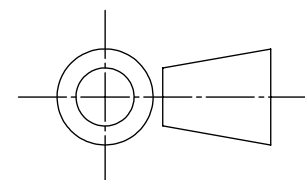
PIT 2
STRAIGHT THROUGH



PIT 3
TERMINUS

PIT POSITIONS NOT TO SCALE

[MILLIMETERS]
INCHES



APPROVALS	DATE
DRAWN DLL	08-07-24
CHECKED DLL	08-07-24
APPROVED CDM	08-07-24
SHEET 3 OF 3	
SCALE: 1:12	SIZE: B

USS, LLC
PHONE: (260) 693-1172 FAX: (260) 693-1178
WEB SITE: WWW.USSPECIALISTS.COM

USS24-20x20-36D

EFSO

EFSO LAYOUT

THE INFORMATION ON THIS DRAWING IS PROPRIETARY AND IS NOT TO BE REVEALED TO THIRD PARTIES WITHOUT WRITTEN CONSENT OF A CORPORATE OFFICER OF USS, LLC.