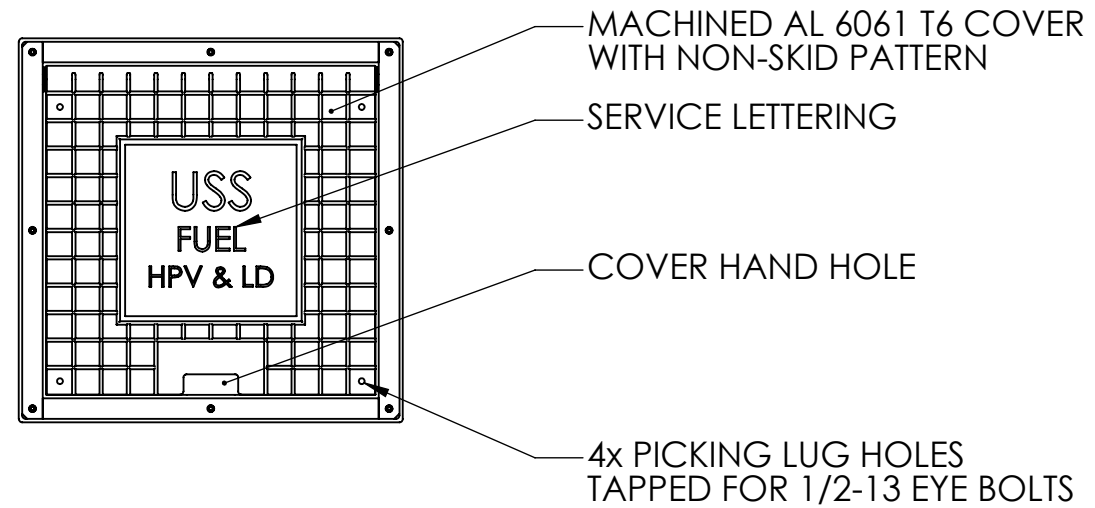
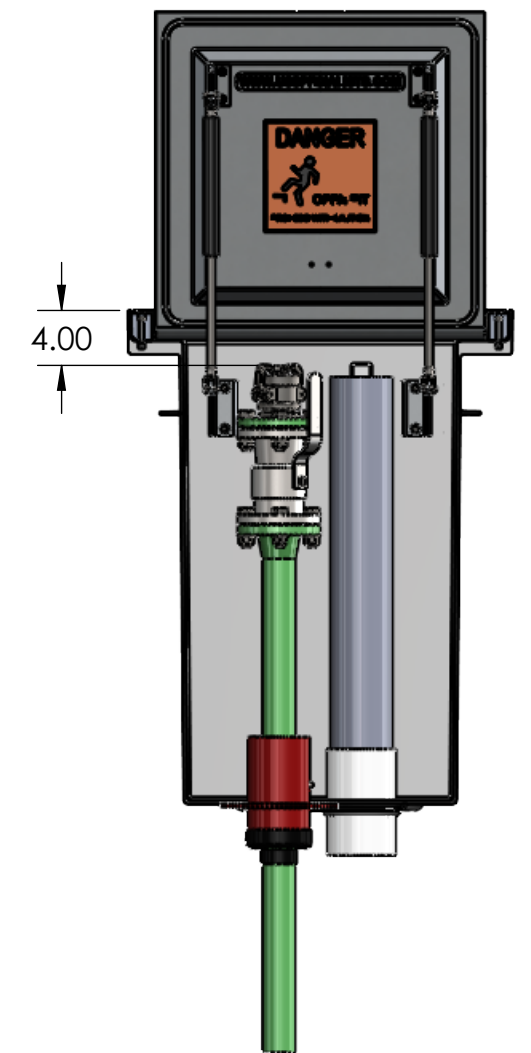


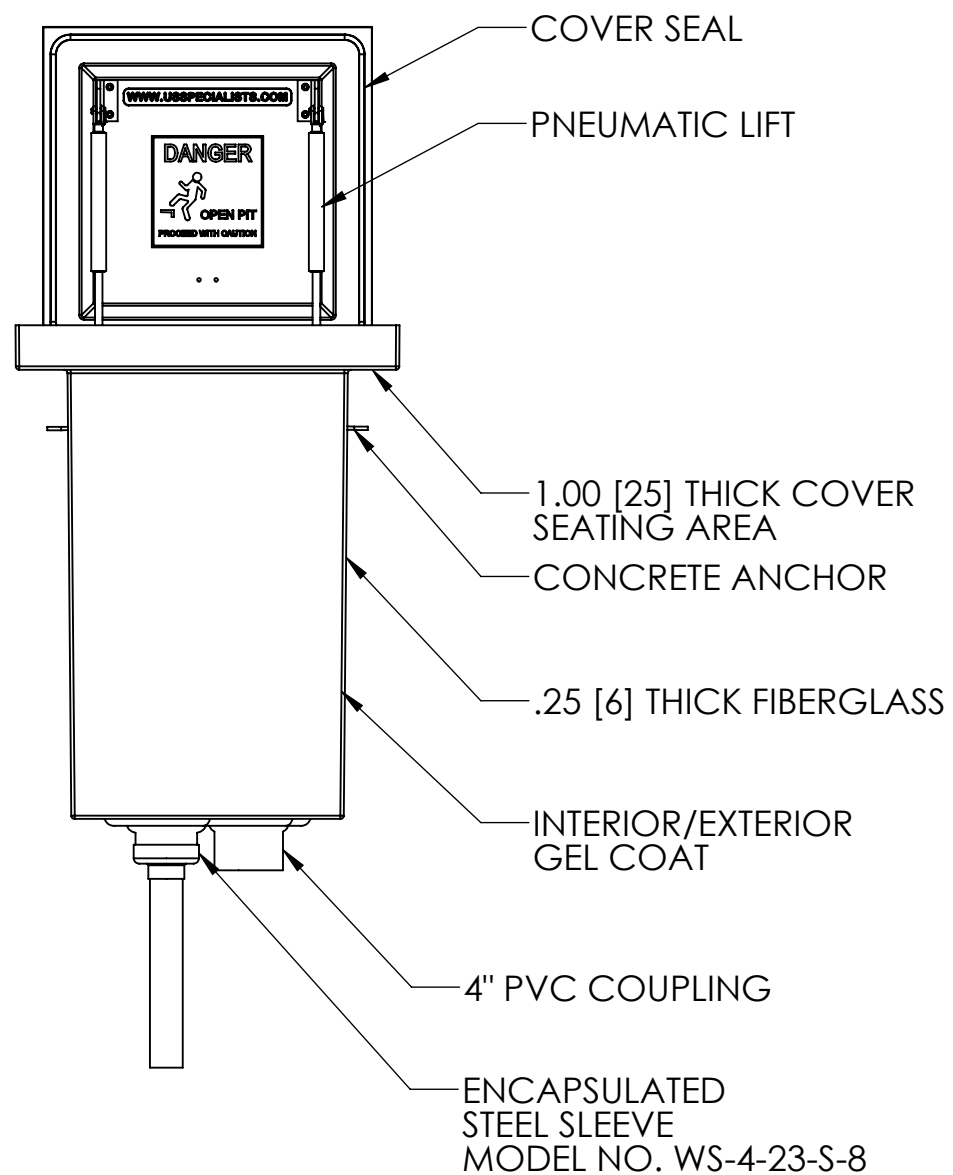
TOP VIEW



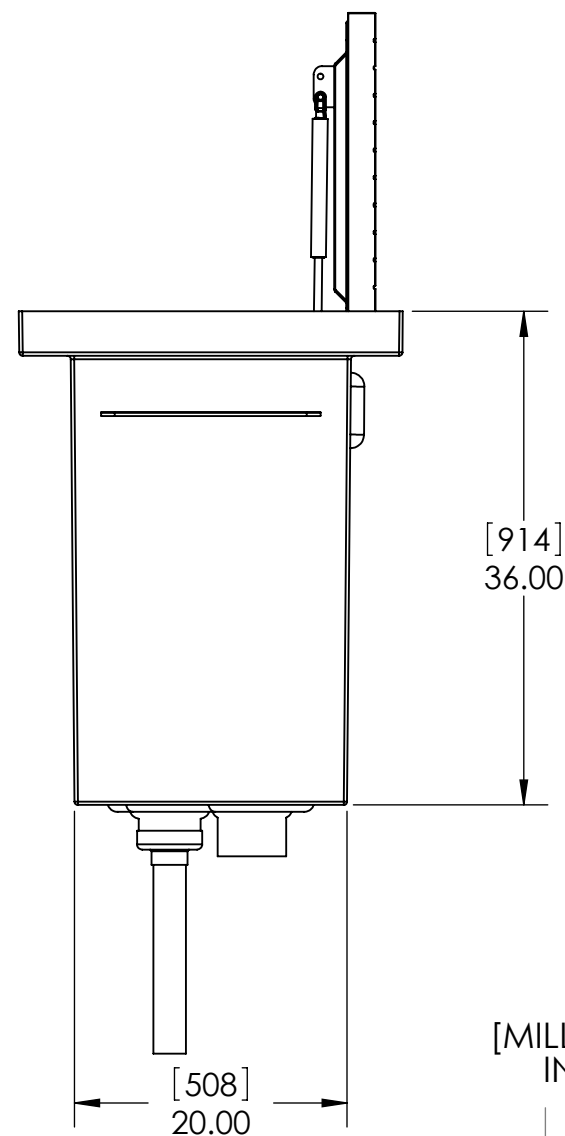
PLAN VIEW



FRONT CUT VIEW

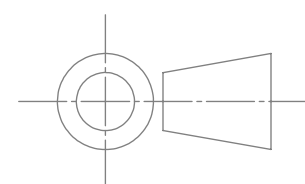


FRONT VIEW



SIDE VIEW

[MILLIMETERS]
INCHES



INTERNAL COMPONENTS SHOWN FOR REFERENCE.
NO INTERNAL COMPONENTS PROVIDED

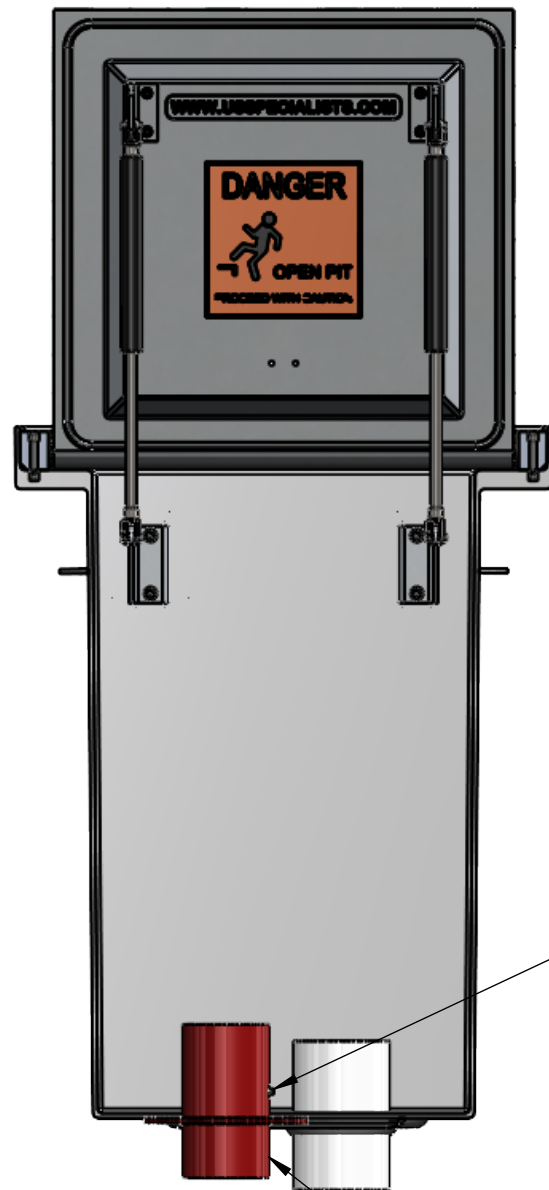


APPROVALS	DATE
DRAWN DLL	08-05-24
CHECKED DLL	08-05-24
APPROVED CDM	08-05-24
SHEET 1 OF 3	
SCALE: 1:14	SIZE: B

USS, LLC
 PHONE: (260) 693-1172 FAX: (260) 693-1178
 WEB SITE: WWW.USSPECIALISTS.COM

USS24-20x20-36D
HPVBA(2)[4]&LD(4)
3-VIEW, CUT, PLAN

THE INFORMATION ON THIS DRAWING IS PROPRIETARY AND IS NOT TO BE REVEALED TO THIRD PARTIES WITHOUT WRITTEN CONSENT OF A CORPORATE OFFICER OF USS, LLC.

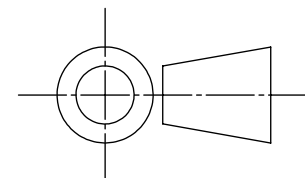


1/4" NPT PLUG
FOR PRESSURE TESTING

STEEL SLEEVE
MODEL NO. WS-4-23-S-8

EMPTY PIT: 291 LB [132 KG]

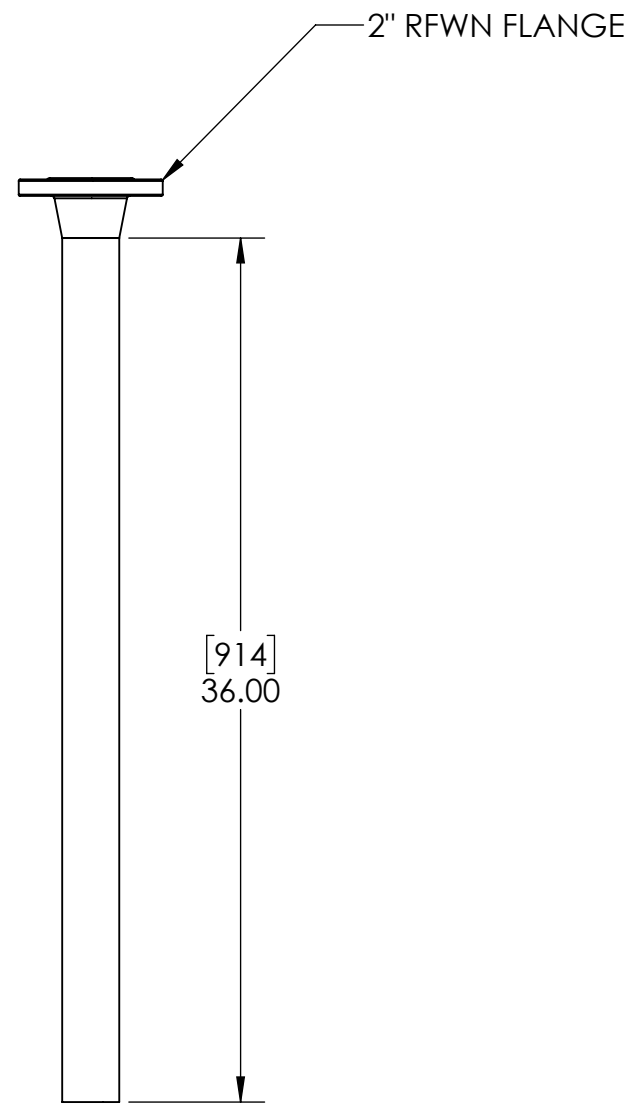
[MILLIMETERS]
INCHES



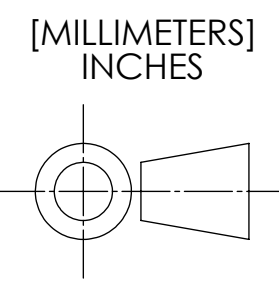
QUANTITY	_____
----------	-------

RELEASE FOR FABRICATION	
NAME _____	SIGNATURE _____
DATE _____	COMPANY _____

APPROVALS	DATE	USS, LLC PHONE: (260) 693-1172 FAX: (260) 693-1178 WEB SITE: WWW.USSPECIALISTS.COM USS24-20x20-36D HPVBA(2)[4]&LD(4) SUBMITTAL
DRAWN DLL	08-05-24	
CHECKED DLL	08-05-24	
APPROVED CDM	08-05-24	
SHEET 2 OF 3		
SCALE: 1:10	SIZE: B	THE INFORMATION ON THIS DRAWING IS PROPRIETARY AND IS NOT TO BE REVEALED TO THIRD PARTIES WITHOUT WRITTEN CONSENT OF A CORPORATE OFFICER OF USS, INC.



STACK-UP COMPONENTS SHOWN TO SCALE. HOWEVER, CONTRACTOR SHOULD PROTOTYPE AND FIELD TEST FIRST ARTICLE BEFORE FABRICATING REMAINING STACK-UPS.



APPROVALS	DATE
DRAWN DLL	08-05-24
CHECKED DLL	08-05-24
APPROVED CDM	08-05-24
SHEET 3 OF 3	
SCALE: 1:8	SIZE: B

USS, LLC
 PHONE: (260) 693-1172 FAX: (260) 693-1178
 WEB SITE: WWW.USSPECIALISTS.COM

USS24-20x20-36D
HPVBA(2)[4]&LD(4)
STACK-UP

THE INFORMATION ON THIS DRAWING IS PROPRIETARY AND IS NOT TO BE REVEALED TO THIRD PARTIES WITHOUT WRITTEN CONSENT OF A CORPORATE OFFICER OF USS, LLC.