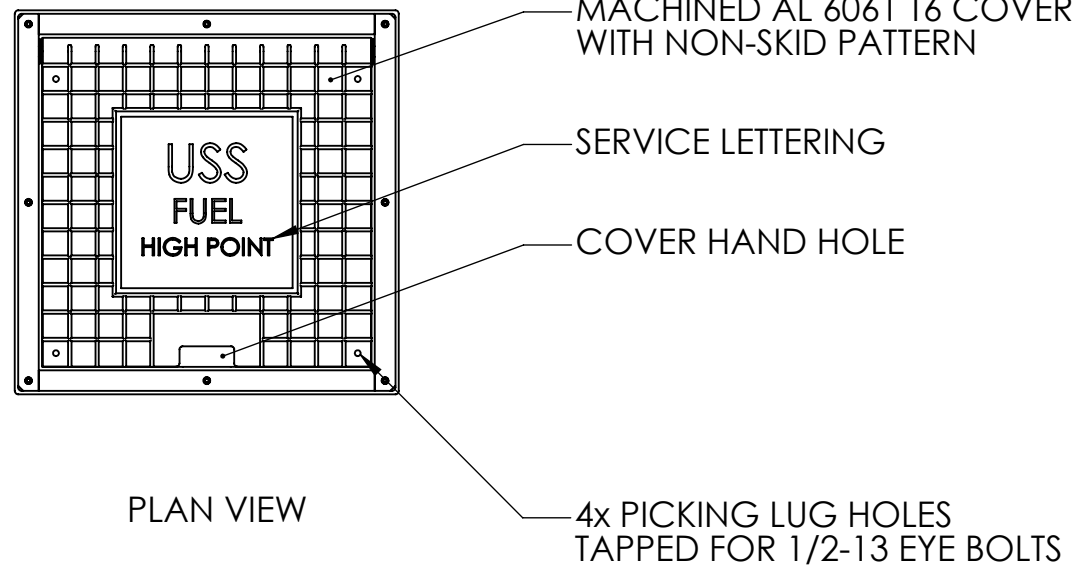
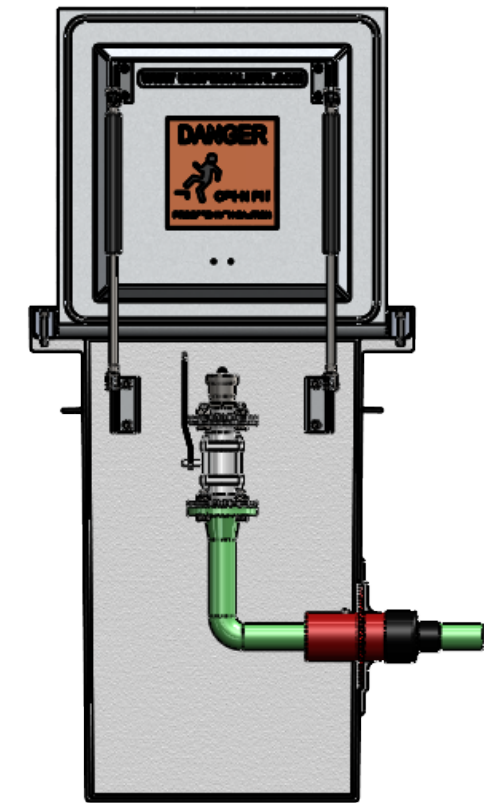


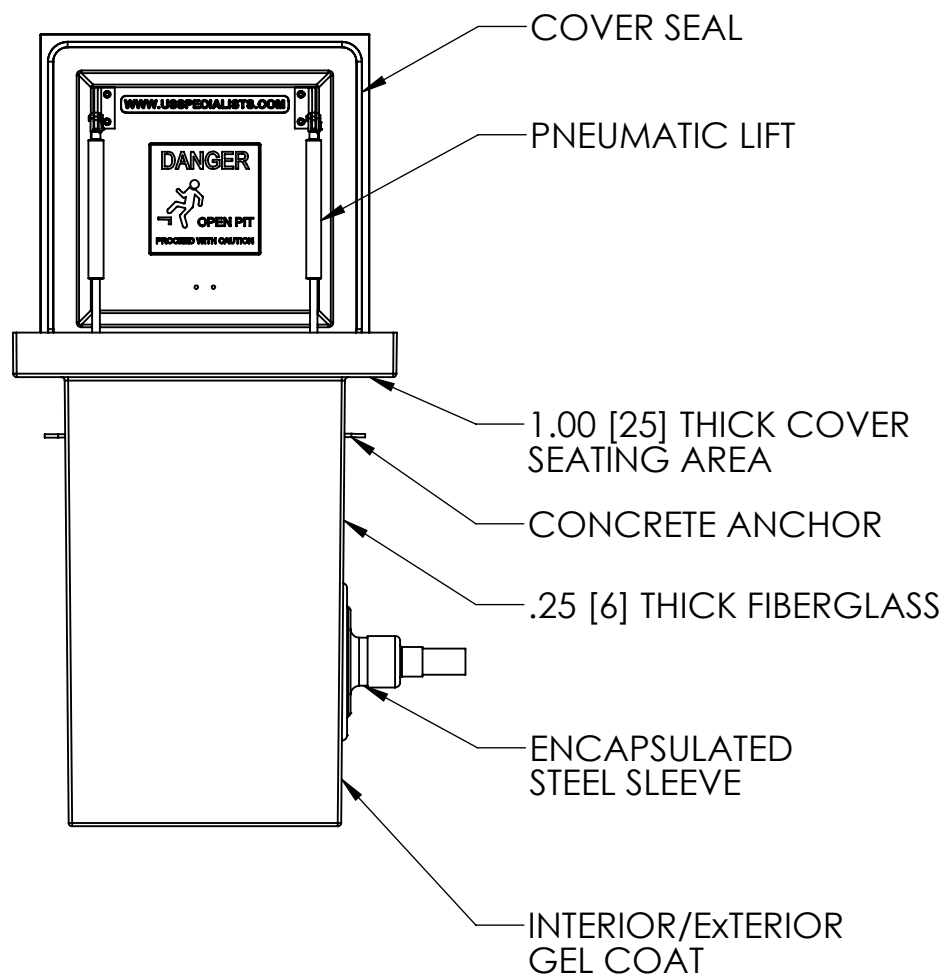
TOP VIEW



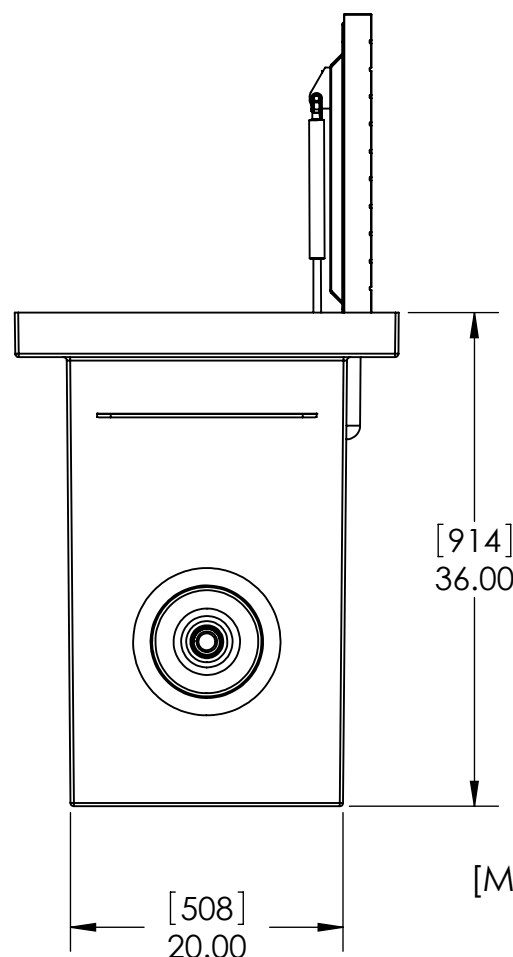
PLAN VIEW



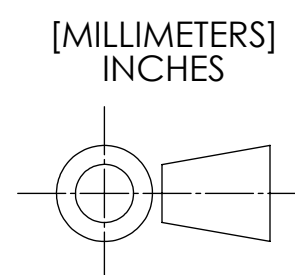
FRONT CUT VIEW



FRONT VIEW



SIDE VIEW



INTERNAL COMPONENTS SHOWN FOR REFERENCE. NO INTERNAL COMPONENTS PROVIDED

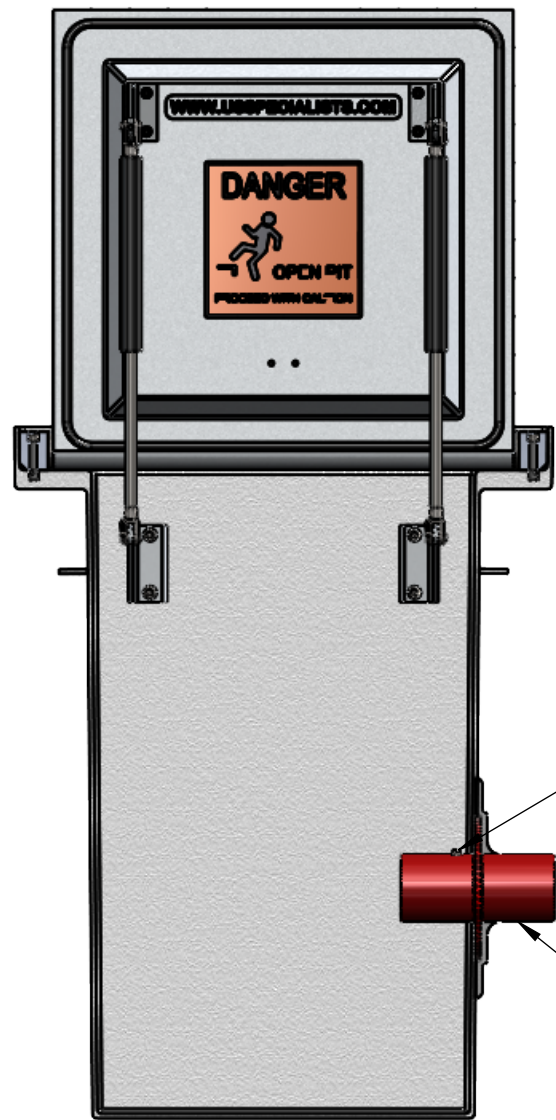


APPROVALS	DATE
DRAWN DLL	04-16-24
CHECKED DLL	04-16-24
APPROVED CDM	04-16-24
SHEET 1 OF 3	
SCALE: 1:14	SIZE: B

**USS, LLC**  
 PHONE: (260) 693-1172 FAX: (260) 693-1178  
 WEB SITE: WWW.USSPECIALISTS.COM

**USS24-20x20-36D**  
**HPVSA(1.5)[3]**  
**3-VIEW, CUT, PLAN**

THE INFORMATION ON THIS DRAWING IS PROPRIETARY AND IS NOT TO BE REVEALED TO THIRD PARTIES WITHOUT WRITTEN CONSENT OF A CORPORATE OFFICER OF USS, LLC.



WWW.USSPECIALISTS.COM

**DANGER**  
  
**OPEN PIT**  
 PROCEED WITH CAUTION

1/4" NPT PIPE PLUG

STEEL SLEEVE  
 MODEL NO. WS-3-21-S-8

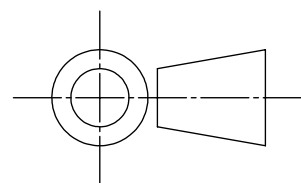
QUANTITY \_\_\_\_\_

**RELEASE FOR FABRICATION**

NAME \_\_\_\_\_ SIGNATURE \_\_\_\_\_

DATE \_\_\_\_\_ COMPANY \_\_\_\_\_

[MILLIMETERS]  
 INCHES



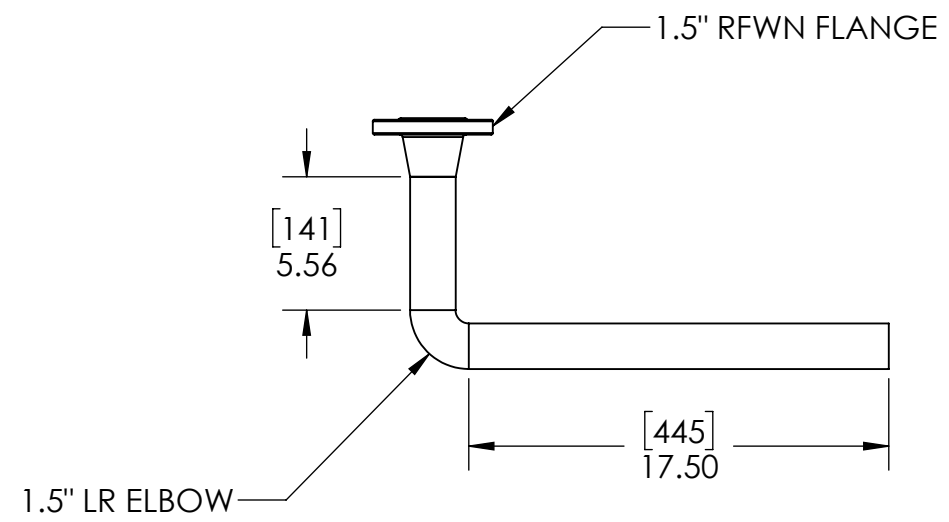
APPROVALS	DATE
DRAWN DLL	04-16-24
CHECKED DLL	04-16-24
APPROVED CDM	04-16-24
SHEET 2 OF 3	
SCALE: 1:10	SIZE: B

**USS, LLC**  
 PHONE: (260) 693-1172 FAX: (260) 693-1178  
 WEB SITE: WWW.USSPECIALISTS.COM

**USS24-20x20-36D**  
**HPVSA(1.5)[3]**  
**SUBMITTAL**

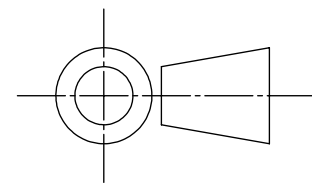
THE INFORMATION ON THIS DRAWING IS PROPRIETARY AND IS NOT TO BE REVEALED TO THIRD PARTIES WITHOUT WRITTEN CONSENT OF A CORPORATE OFFICER OF USS, LLC.

Utility Systems Specialists



INTERNAL COMPONENTS SHOWN FOR REFERENCE.  
NO INTERNAL COMPONENTS PROVIDED

[MILLIMETERS]  
INCHES



APPROVALS	DATE
DRAWN DLL	04-16-24
CHECKED DLL	04-16-24
APPROVED CDM	04-16-24
SHEET 3 OF 3	
SCALE: 1:8	SIZE: B

**USS, LLC**  
PHONE: (260) 693-1172 FAX: (260) 693-1178  
WEB SITE: WWW.USSPECIALISTS.COM

**USS24-20x20-36D**  
**HPVSA(1.5)[3]**  
**STACK-UP**

THE INFORMATION ON THIS DRAWING IS PROPRIETARY AND IS NOT TO BE REVEALED TO THIRD PARTIES WITHOUT WRITTEN CONSENT OF A CORPORATE OFFICER OF USS, LLC.

Utility Systems Specialists