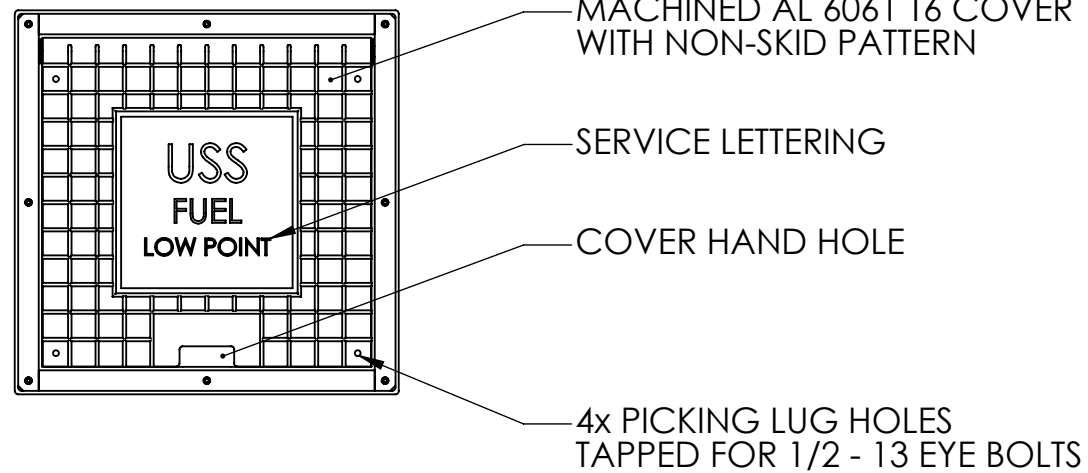
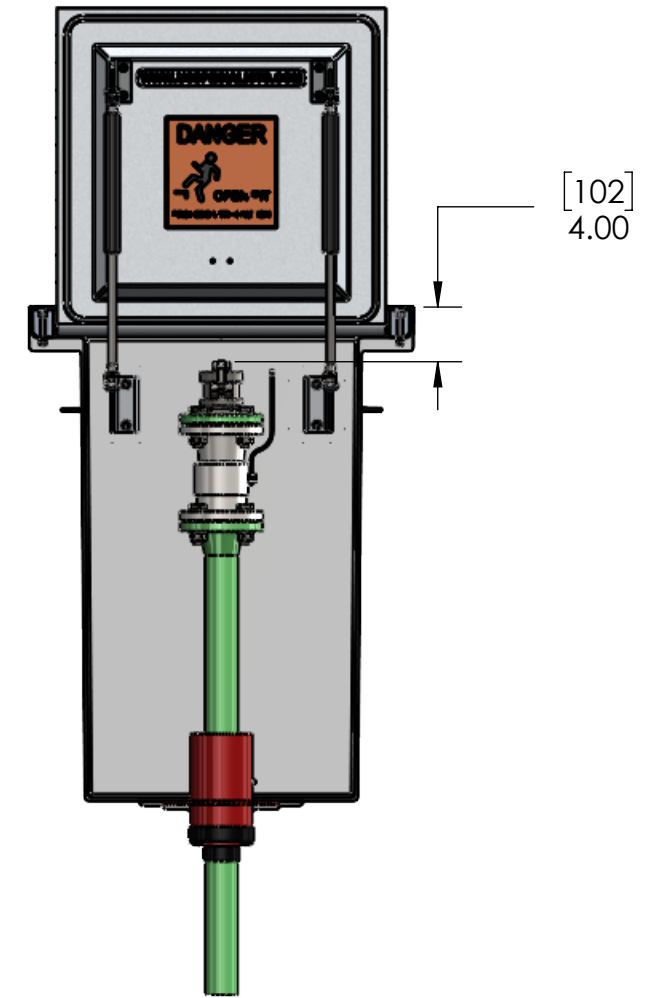


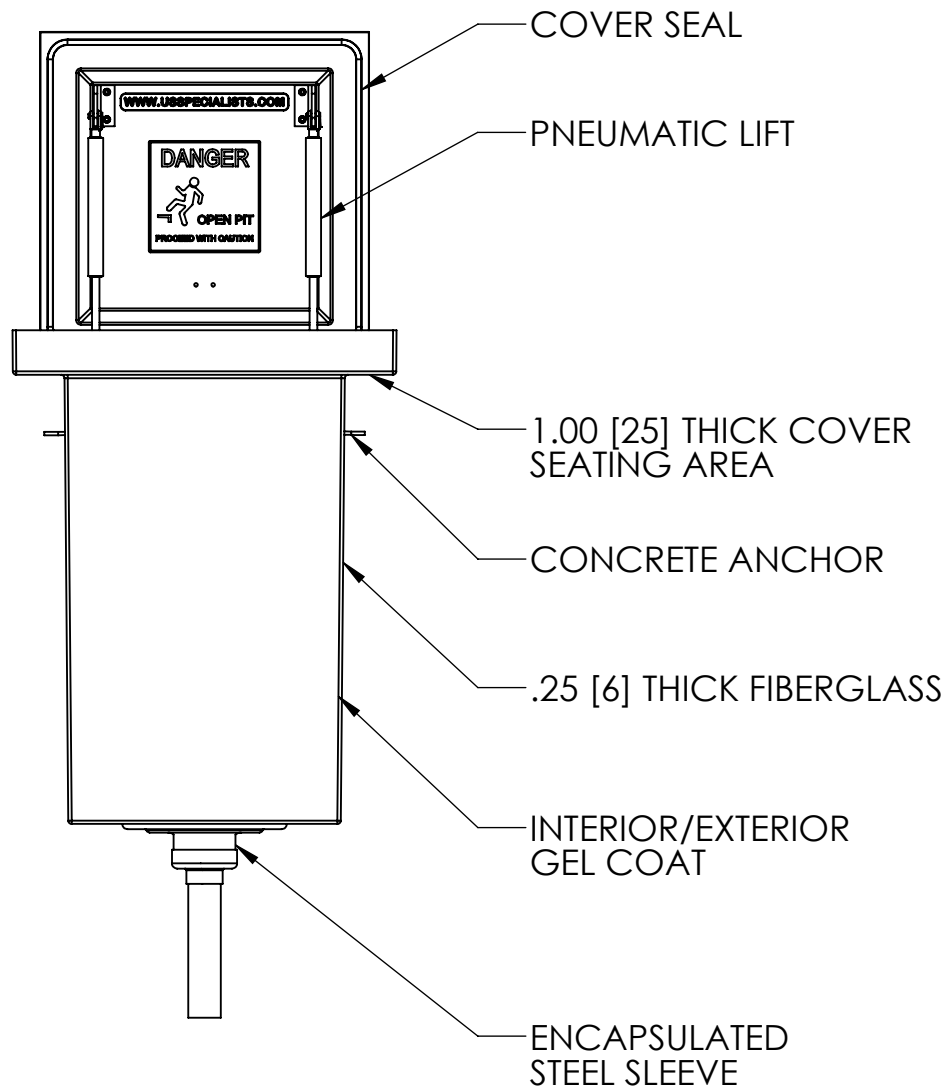
TOP VIEW



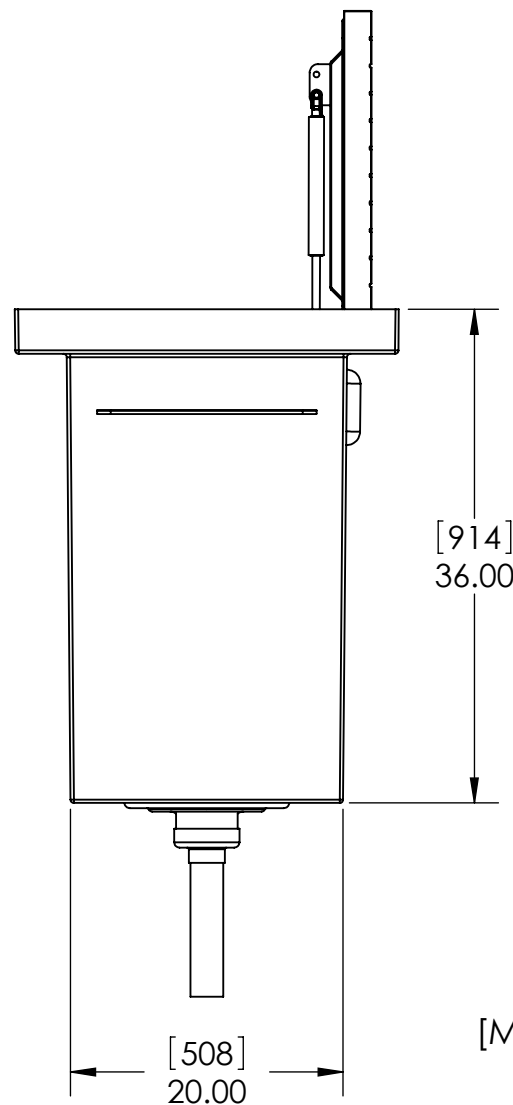
PLAN VIEW



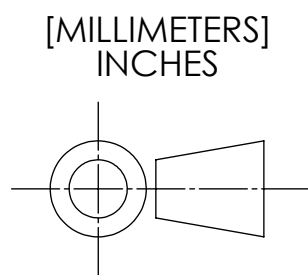
FRONT CUT VIEW



FRONT VIEW



SIDE VIEW

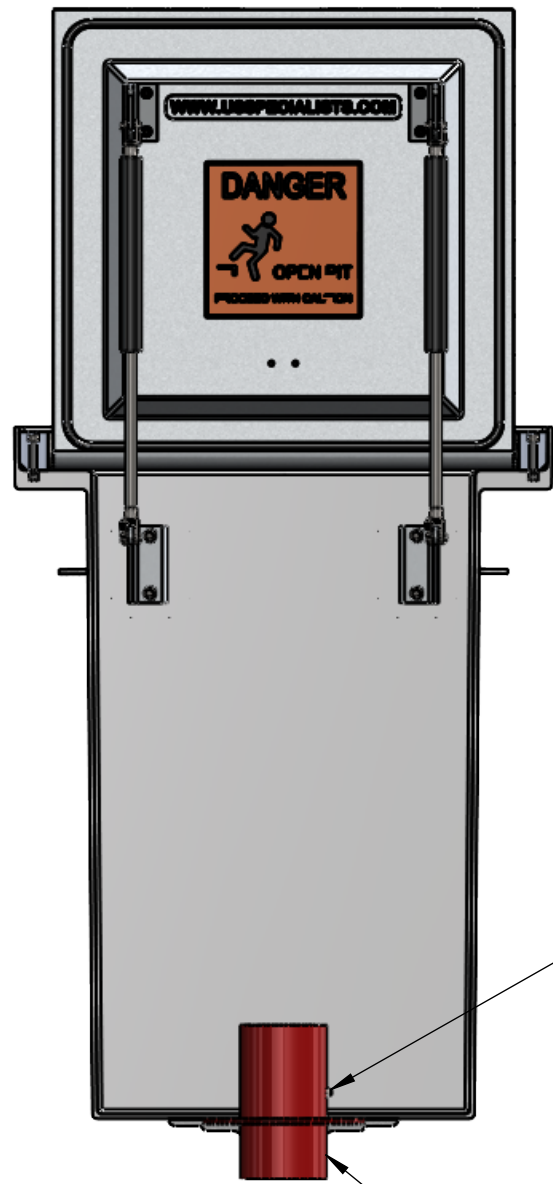


INTERNAL COMPONENTS SHOWN FOR REFERENCE.  
NO INTERNAL COMPONENTS PROVIDED



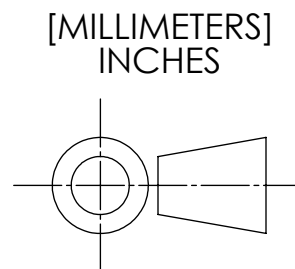
APPROVALS	DATE
DRAWN DLL	05-06-24
CHECKED DLL	05-06-24
APPROVED CDM	05-06-24
SHEET 1 OF 3	
SCALE: 1:14	SIZE: B

**USS, LLC**  
 PHONE: (260) 693-1172 FAX: (260) 693-1178  
 WEB SITE: WWW.USSPECIALISTS.COM  
**USS24-20x20-36D**  
**LPDBA(2)[4]**  
**3 VIEW, PLAN, CUT**  
 THE INFORMATION ON THIS DRAWING IS PROPRIETARY AND IS NOT TO BE REVEALED TO THIRD PARTIES WITHOUT WRITTEN CONSENT OF A CORPORATE OFFICER OF USS, LLC.



1/4" NPT PIPE PLUG

STEEL SLEEVE  
MODEL NO. WS-4-23-S-8



QUANTITY	_____
----------	-------

RELEASE FOR FABRICATION	
NAME _____	SIGNATURE _____
DATE _____	COMPANY _____

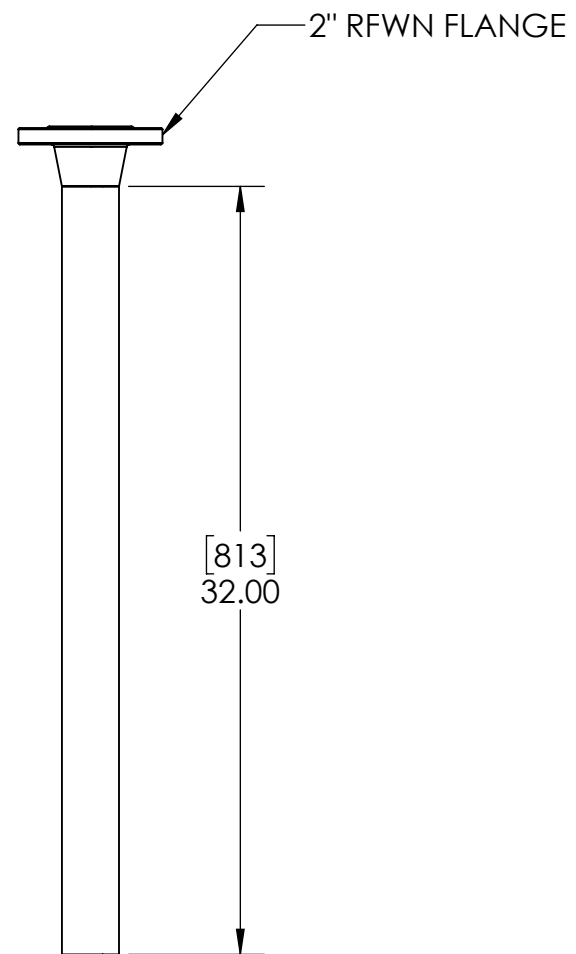


APPROVALS	DATE
DRAWN DLL	05-06-24
CHECKED DLL	05-06-24
APPROVED CDM	05-06-24
SHEET 2 OF 3	
SCALE: 1:10	SIZE: B

**USS, LLC**  
PHONE: (260) 693-1172 FAX: (260) 693-1178  
WEB SITE: WWW.USSPECIALISTS.COM

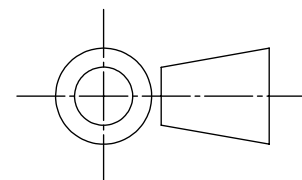
**USS24-20x20-36D**  
**LPDBA(2)[4]**  
**SUBMITTAL**

THE INFORMATION ON THIS DRAWING IS PROPRIETARY AND IS NOT TO BE REVEALED TO THIRD PARTIES WITHOUT WRITTEN CONSENT OF A CORPORATE OFFICER OF USS, LLC.



STACK-UP COMPONENTS SHOWN TO SCALE. HOWEVER, CONTRACTOR SHOULD PROTOTYPE AND FIELD TEST FIRST ARTICLE BEFORE FABRICATING REMAINING STACK-UPS.

[MILLIMETERS]  
INCHES



APPROVALS	DATE
DRAWN DLL	05-06-24
CHECKED DLL	05-06-24
APPROVED CDM	05-06-24
SHEET 3 OF 3	
SCALE: 1:10	SIZE: B

**USS, LLC**  
PHONE: (260) 693-1172 FAX: (260) 693-1178  
WEB SITE: WWW.USSPECIALISTS.COM

**USS24-20x20-36D**

**LPDBA(2)[4]**

**STACK-UP**

THE INFORMATION ON THIS DRAWING IS PROPRIETARY AND IS NOT TO BE REVEALED TO THIRD PARTIES WITHOUT WRITTEN CONSENT OF A CORPORATE OFFICER OF USS, LLC.