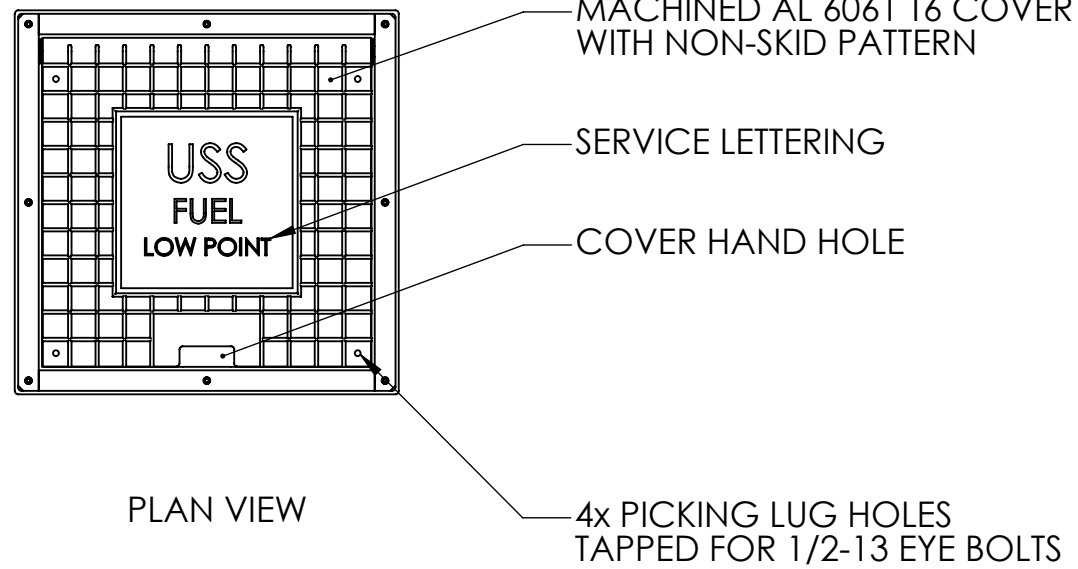
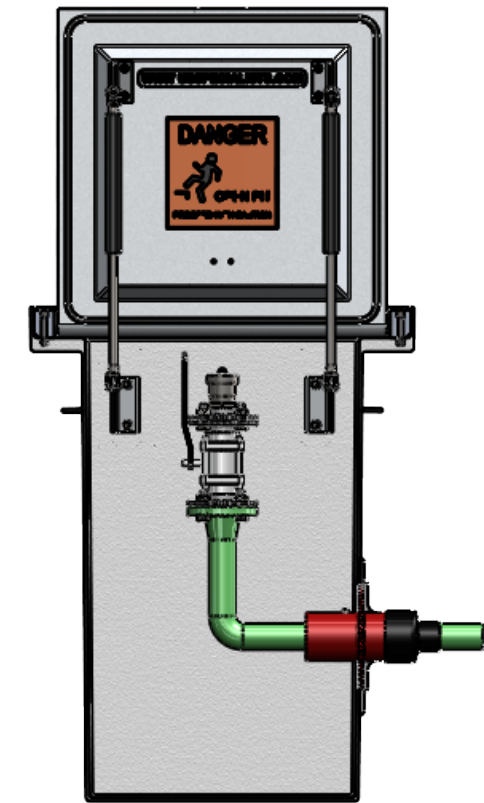


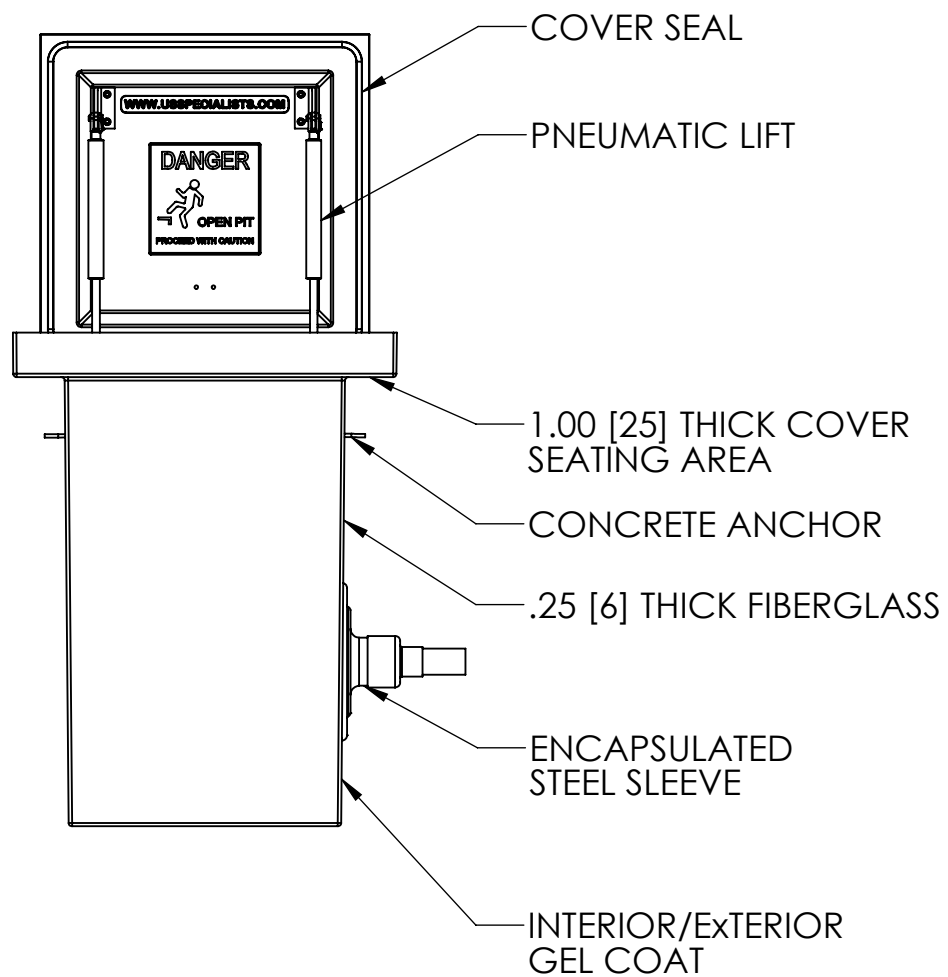
TOP VIEW



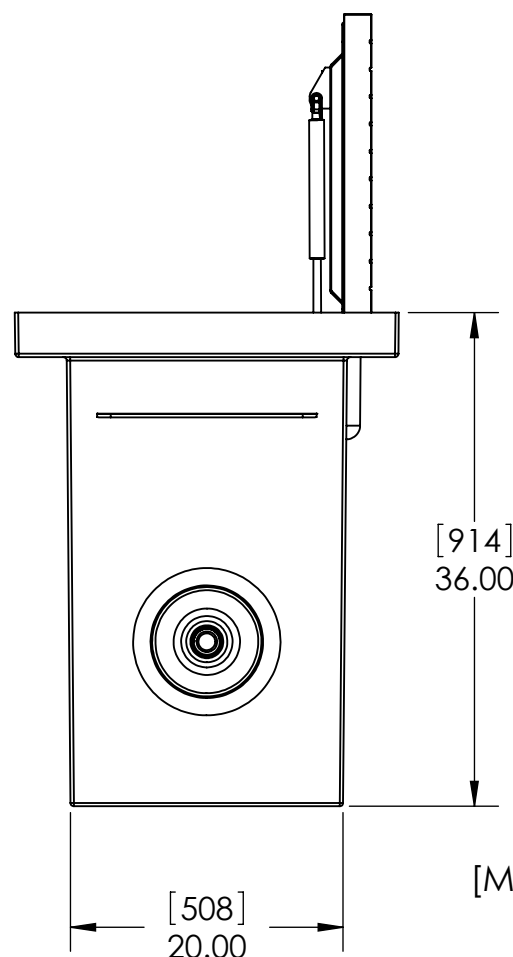
PLAN VIEW



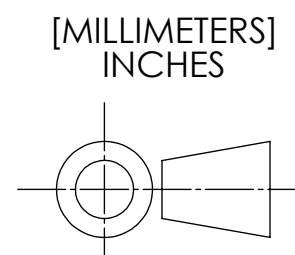
FRONT CUT VIEW



FRONT VIEW



SIDE VIEW



INTERNAL COMPONENTS SHOWN FOR REFERENCE. NO INTERNAL COMPONENTS PROVIDED

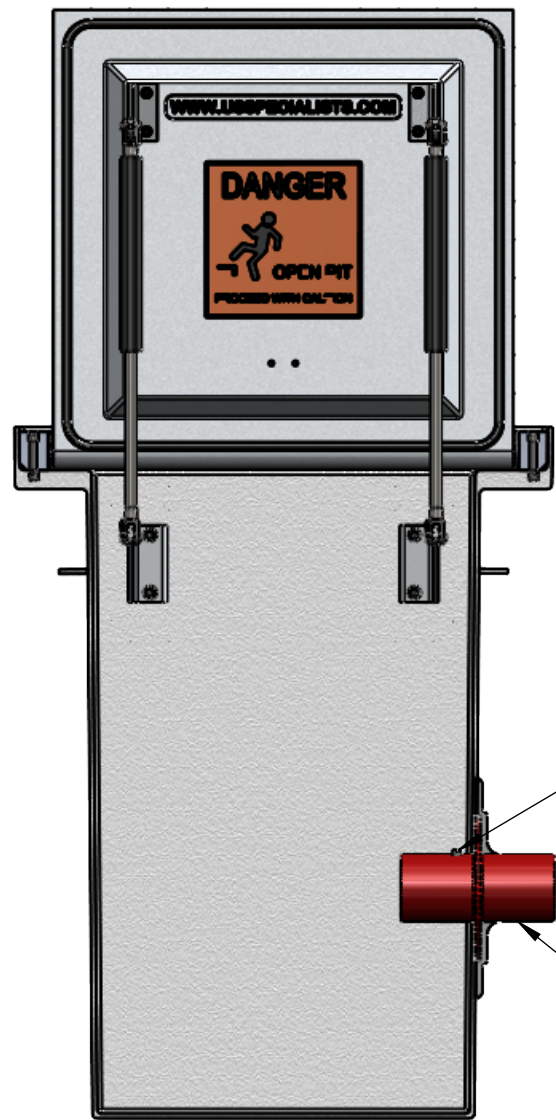


| APPROVALS       | DATE     |
|-----------------|----------|
| DRAWN<br>DLL    | 04-16-24 |
| CHECKED<br>DLL  | 04-16-24 |
| APPROVED<br>CDM | 04-16-24 |
| SHEET 1 OF 3    |          |
| SCALE: 1:14     | SIZE: B  |

**USS, LLC**  
 PHONE: (260) 693-1172 FAX: (260) 693-1178  
 WEB SITE: WWW.USSPECIALISTS.COM

**USS24-20x20-36D**  
**LPDSA(1.5)[3]**  
**3-VIEW, CUT, PLAN**

THE INFORMATION ON THIS DRAWING IS PROPRIETARY AND IS NOT TO BE REVEALED TO THIRD PARTIES WITHOUT WRITTEN CONSENT OF A CORPORATE OFFICER OF USS, LLC.



WWW.USSPECIALISTS.COM

**DANGER**  
  
**OPEN PIT**  
 PROCEED WITH CAUTION

1/4" NPT PIPE PLUG

STEEL SLEEVE  
 MODEL NO. WS-3-21-S-8

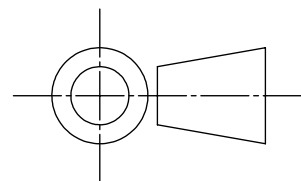
QUANTITY \_\_\_\_\_

**RELEASE FOR FABRICATION**

NAME \_\_\_\_\_ SIGNATURE \_\_\_\_\_

DATE \_\_\_\_\_ COMPANY \_\_\_\_\_

[MILLIMETERS]  
 INCHES



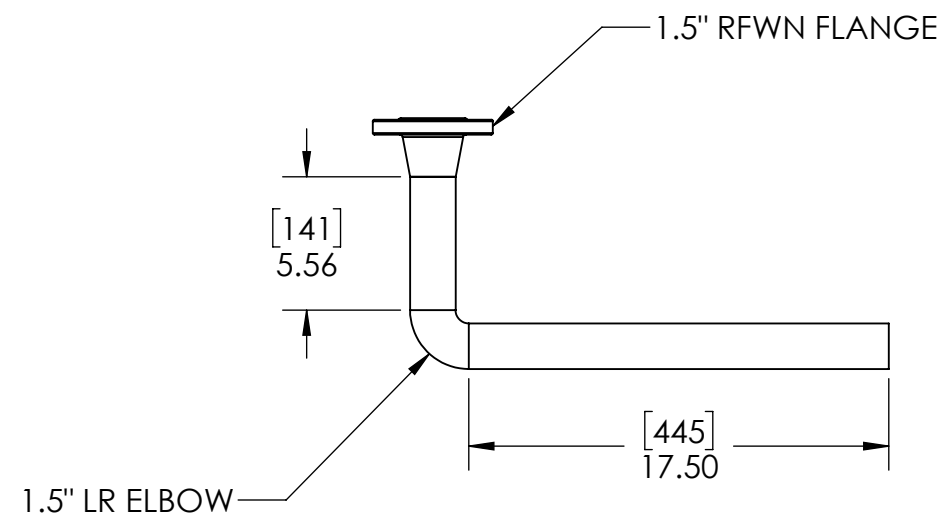
|                 |          |
|-----------------|----------|
| APPROVALS       | DATE     |
| DRAWN<br>DLL    | 04-16-24 |
| CHECKED<br>DLL  | 04-16-24 |
| APPROVED<br>CDM | 04-16-24 |
| SHEET 2 OF 3    |          |
| SCALE: 1:10     | SIZE: B  |

**USS, LLC**  
 PHONE: (260) 693-1172 FAX: (260) 693-1178  
 WEB SITE: WWW.USSPECIALISTS.COM

**USS24-20x20-36D**  
**LPDSA(1.5)[3]**  
**SUBMITTAL**

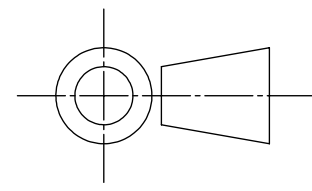
THE INFORMATION ON THIS DRAWING IS PROPRIETARY AND IS NOT TO BE REVEALED TO THIRD PARTIES WITHOUT WRITTEN CONSENT OF A CORPORATE OFFICER OF USS, LLC.

Utility Systems Specialists



INTERNAL COMPONENTS SHOWN FOR REFERENCE.  
NO INTERNAL COMPONENTS PROVIDED

[MILLIMETERS]  
INCHES



| APPROVALS       | DATE     |
|-----------------|----------|
| DRAWN<br>DLL    | 04-16-24 |
| CHECKED<br>DLL  | 04-16-24 |
| APPROVED<br>CDM | 04-16-24 |
| SHEET 3 OF 3    |          |
| SCALE: 1:8      | SIZE: B  |

**USS, LLC**  
PHONE: (260) 693-1172 FAX: (260) 693-1178  
WEB SITE: WWW.USSPECIALISTS.COM

**USS24-20x20-36D**  
**LPDSA(1.5)[3]**  
**STACK-UP**

THE INFORMATION ON THIS DRAWING IS PROPRIETARY AND IS NOT TO BE REVEALED TO THIRD PARTIES WITHOUT WRITTEN CONSENT OF A CORPORATE OFFICER OF USS, LLC.