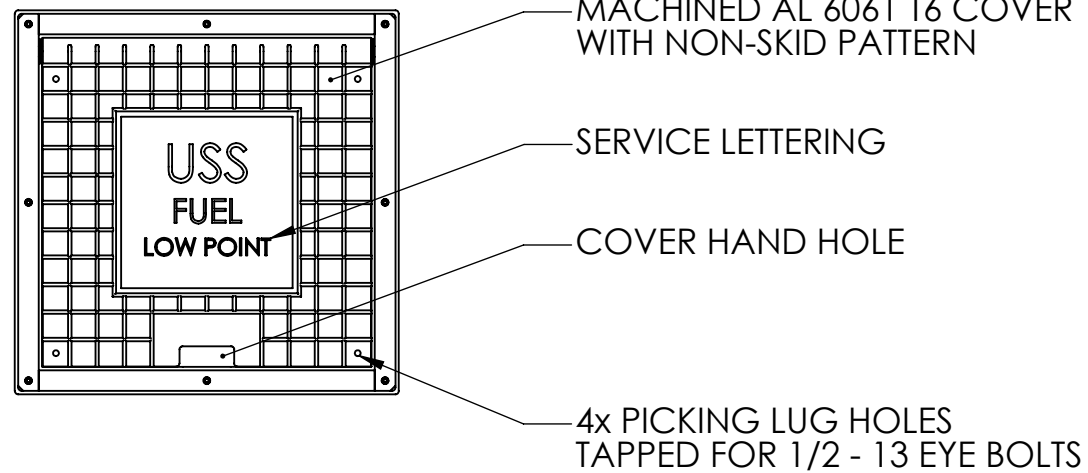
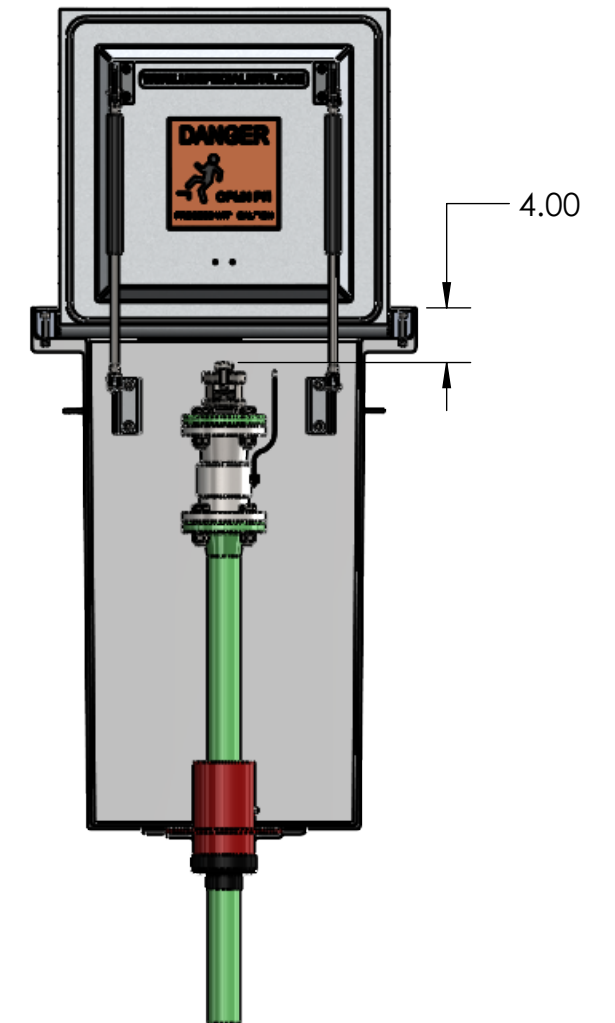


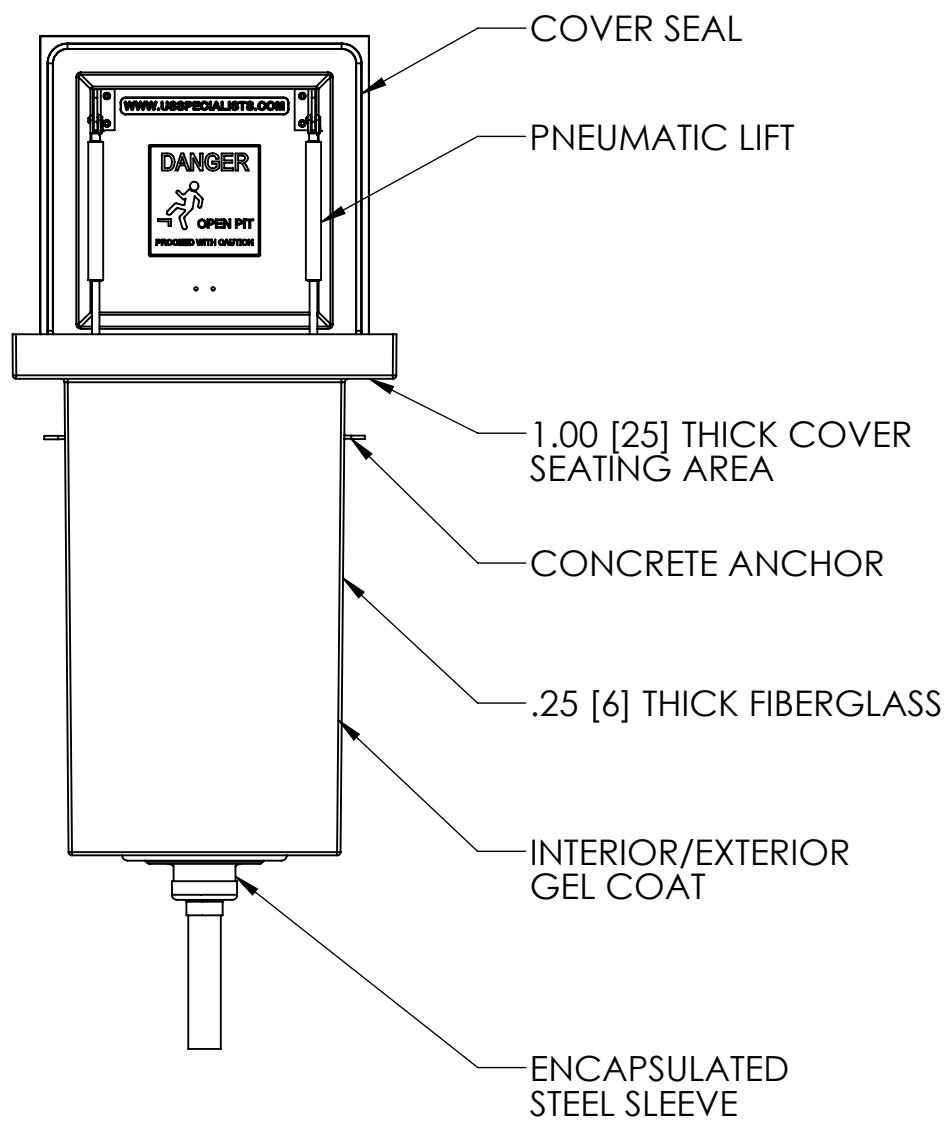
TOP VIEW



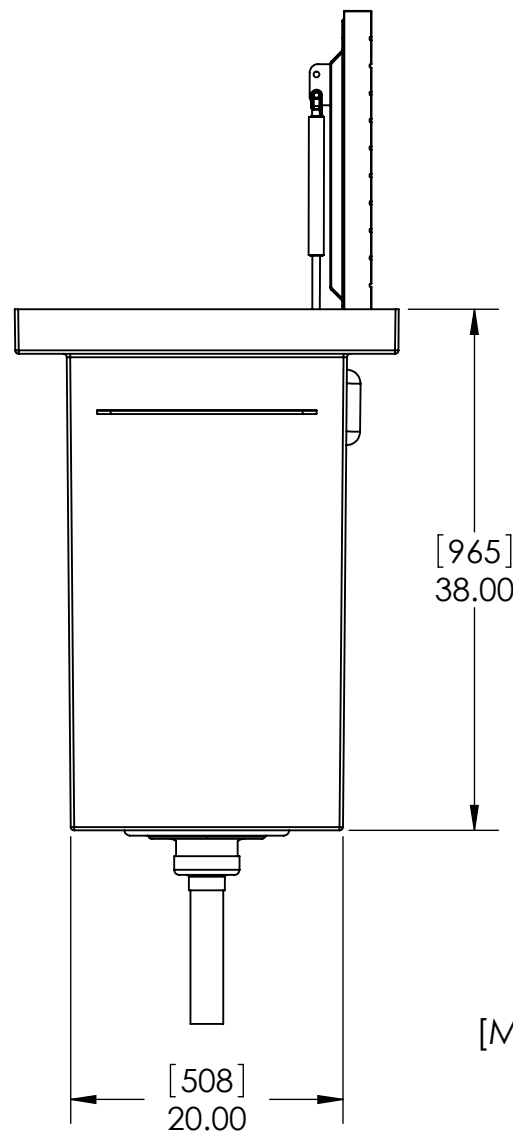
PLAN VIEW



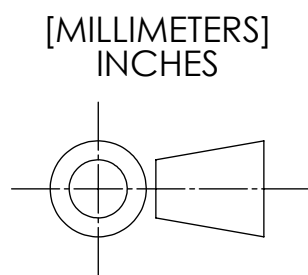
FRONT CUT VIEW



FRONT VIEW



SIDE VIEW

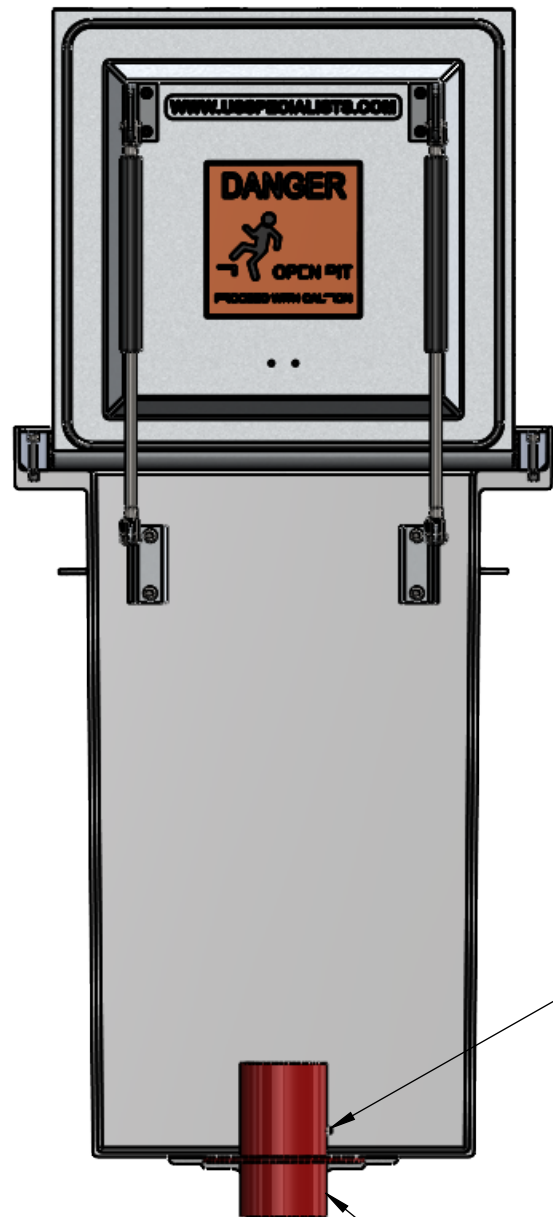


INTERNAL COMPONENTS SHOWN FOR REFERENCE.
NO INTERNAL COMPONENTS PROVIDED



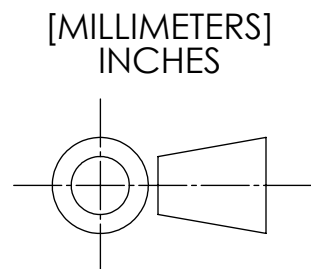
APPROVALS	DATE
DRAWN DLL	05-06-24
CHECKED DLL	05-06-24
APPROVED CDM	05-06-24
SHEET 1 OF 3	
SCALE: 1:14	SIZE: B

USS, LLC
 PHONE: (260) 693-1172 FAX: (260) 693-1178
 WEB SITE: WWW.USSPECIALISTS.COM
USS24-20x20-38D
LPDBA(2)[4]
3 VIEW, PLAN, CUT
 THE INFORMATION ON THIS DRAWING IS PROPRIETARY AND IS NOT TO BE REVEALED TO THIRD PARTIES WITHOUT WRITTEN CONSENT OF A CORPORATE OFFICER OF USS, LLC.



1/4" NPT PIPE PLUG

STEEL SLEEVE
MODEL NO. WS-4-23-S-8



QUANTITY	_____
----------	-------

RELEASE FOR FABRICATION

NAME _____	SIGNATURE _____
DATE _____	COMPANY _____

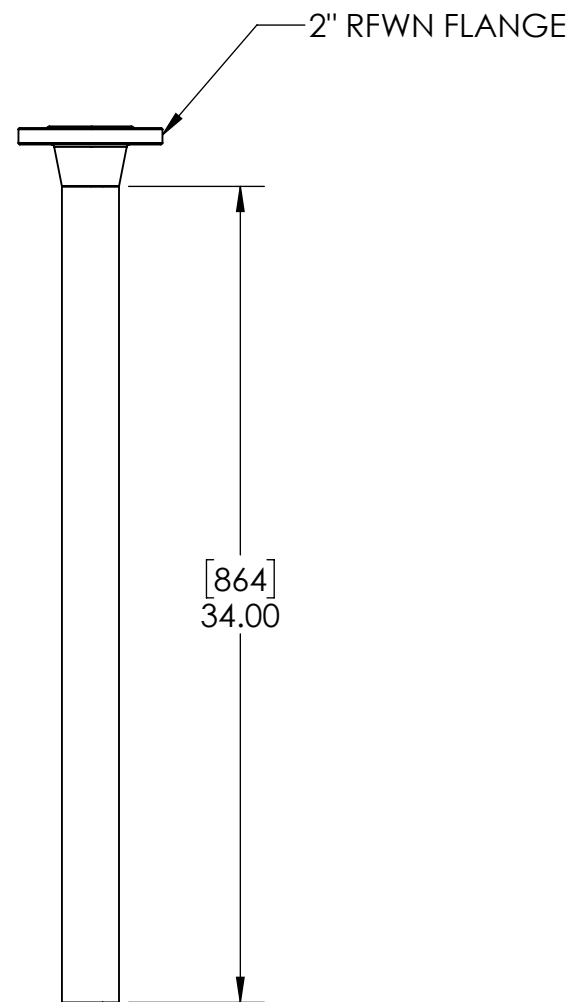


APPROVALS	DATE
DRAWN DLL	05-06-24
CHECKED DLL	05-06-24
APPROVED CDM	05-06-24
SHEET 2 OF 3	
SCALE: 1:10	SIZE: B

USS, LLC
PHONE: (260) 693-1172 FAX: (260) 693-1178
WEB SITE: WWW.USSPECIALISTS.COM

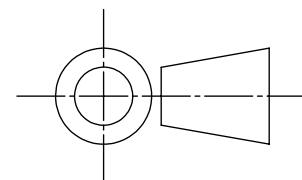
USS24-20x20-38D
LPDBA(2)[4]
SUBMITTAL

THE INFORMATION ON THIS DRAWING IS PROPRIETARY AND IS NOT TO BE REVEALED TO THIRD PARTIES WITHOUT WRITTEN CONSENT OF A CORPORATE OFFICER OF USS, LLC.



STACK-UP COMPONENTS SHOWN TO SCALE. HOWEVER, CONTRACTOR SHOULD PROTOTYPE AND FIELD TEST FIRST ARTICLE BEFORE FABRICATING REMAINING STACK-UPS.

[MILLIMETERS]
INCHES



APPROVALS	DATE
DRAWN DLL	05-06-24
CHECKED DLL	05-06-24
APPROVED CDM	05-06-24
SHEET 3 OF 3	
SCALE: 1:10	SIZE: B

USS, LLC
 PHONE: (260) 693-1172 FAX: (260) 693-1178
 WEB SITE: WWW.USSPECIALISTS.COM

USS24-20x20-38D
LPDBA(2)[4]
STACK-UP

THE INFORMATION ON THIS DRAWING IS PROPRIETARY AND IS NOT TO BE REVEALED TO THIRD PARTIES WITHOUT WRITTEN CONSENT OF A CORPORATE OFFICER OF USS, LLC.