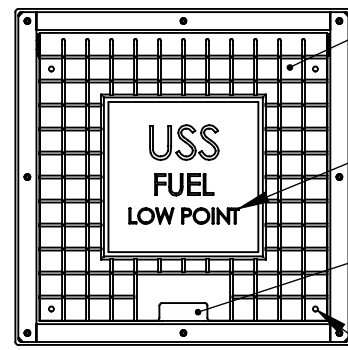


MACHINED AL 6061 T6 COVER FRAME

20.00x20.00 [508x508] INSIDE OPENING

TOP VIEW



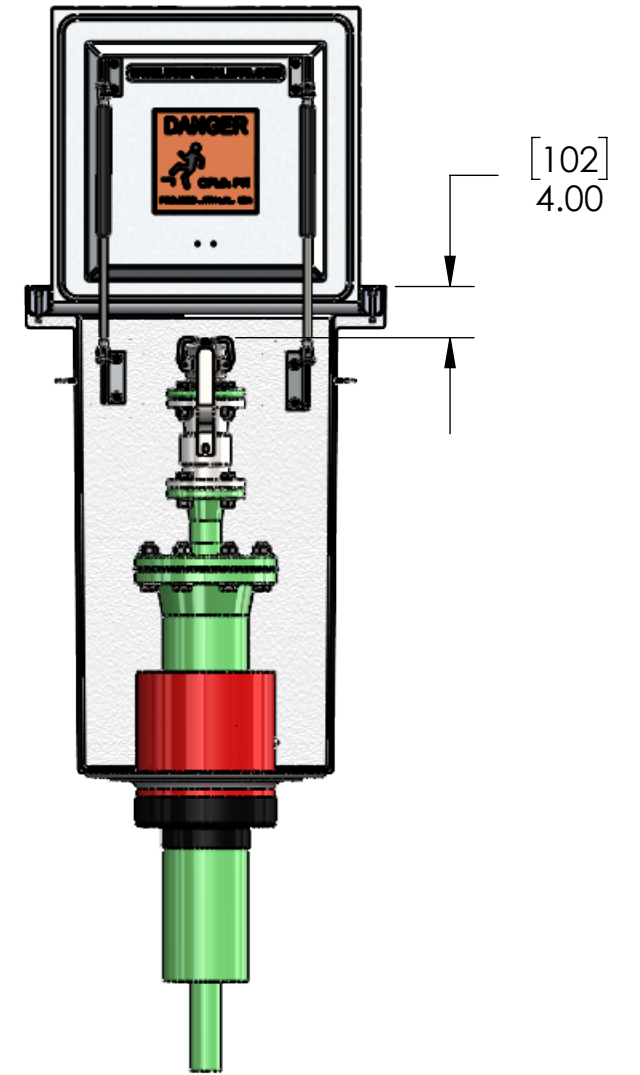
MACHINED AL 6061 T6 COVER WITH NON-SKID PATTERN

SERVICE LETTERING

COVER HAND HOLE

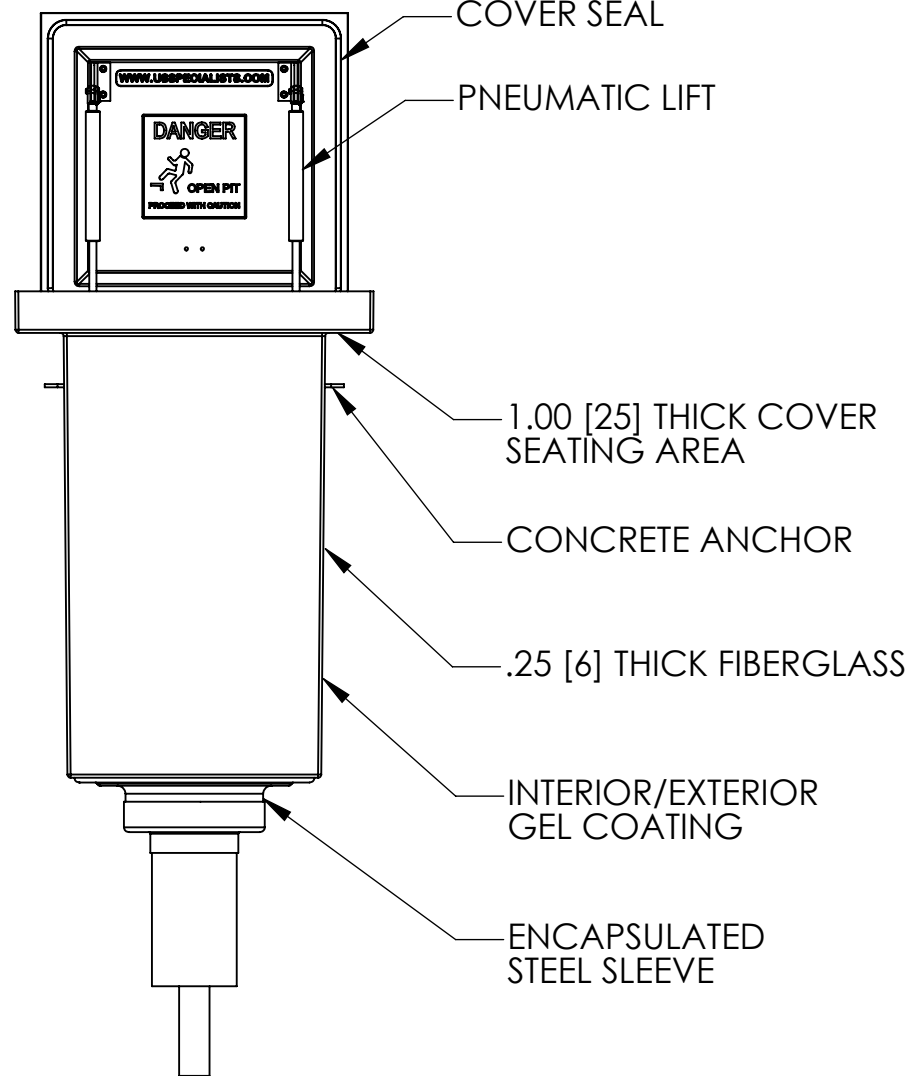
4x PICKING LUG HOLES TAPPED FOR 1/2-13 EYE BOLTS

PLAN VIEW



[102]
4.00

FRONT CUT VIEW



COVER SEAL

PNEUMATIC LIFT

1.00 [25] THICK COVER SEATING AREA

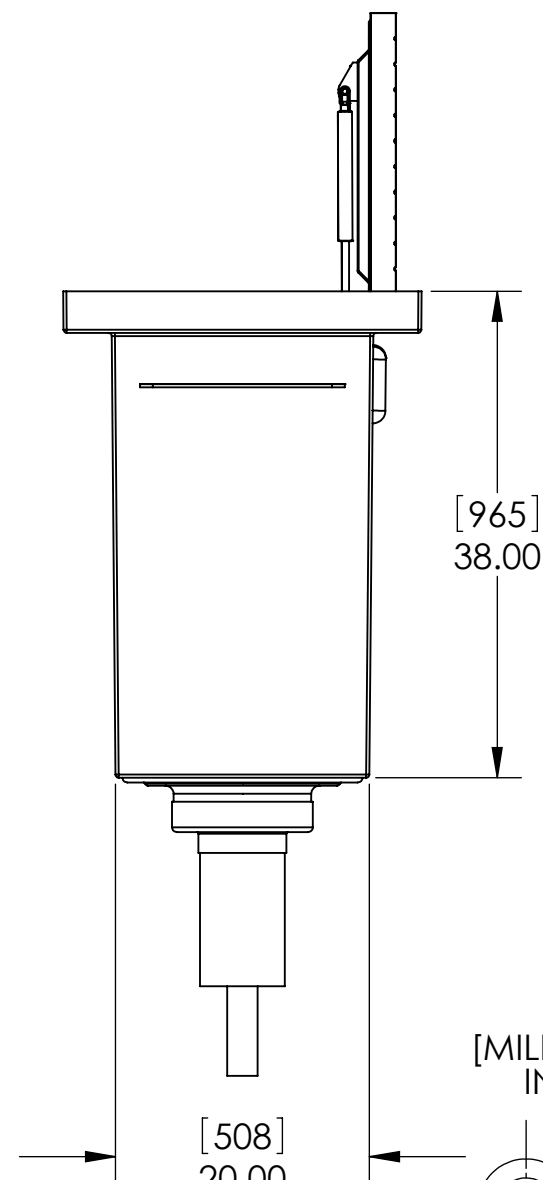
CONCRETE ANCHOR

.25 [6] THICK FIBERGLASS

INTERIOR/EXTERIOR GEL COATING

ENCAPSULATED STEEL SLEEVE

FRONT VIEW

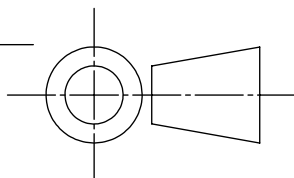


[965]
38.00

[508]
20.00

SIDE VIEW

[MILLIMETERS]
INCHES

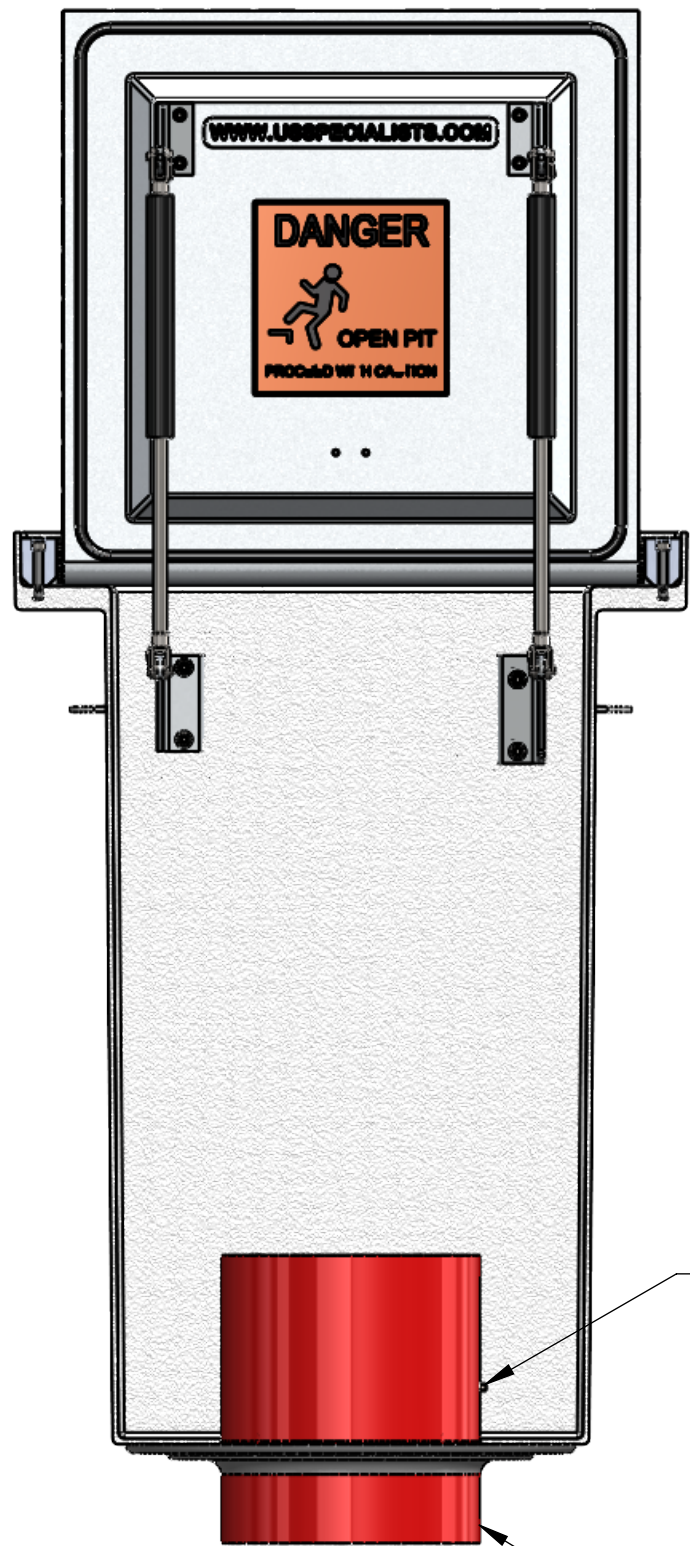


INTERNAL COMPONENTS SHOWN FOR REFERENCE. NO INTERNAL COMPONENTS PROVIDED.



APPROVALS	DATE
DRAWN DLL	06-03-24
CHECKED DLL	06-03-24
APPROVED CDM	06-03-24
SHEET 1 OF 3	
SCALE: 1:15	SIZE: B

USS, LLC
 PHONE: (260) 693-1172 FAX: (260) 693-1178
 WEB SITE: WWW.USSPECIALISTS.COM
USS24-20x20-38D
LPDBA(6)[10]
3 VIEW, PLAN, CUT
 THE INFORMATION ON THIS DRAWING IS PROPRIETARY AND IS NOT TO BE REVEALED TO THIRD PARTIES WITHOUT WRITTEN CONSENT OF A CORPORATE OFFICER OF USS, LLC.



1/4" NPT PIPE PLUG

STEEL SLEEVE
MODEL NO. WS-10-37-S-12

QUANTITY: _____

RELEASE FOR FABRICATION

NAME _____ SIGNATURE _____

DATE _____ COMPANY _____

APPROVALS	DATE
DRAWN DLL	06-03-24
CHECKED DLL	06-03-24
APPROVED CDM	06-03-24

USS, LLC
PHONE: (260) 693-1172 FAX: (260) 693-1178
WEB SITE: WWW.USSPECIALISTS.COM

USS24-20x20-38D

LPDBA(6)[10]

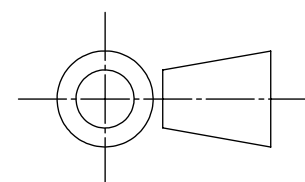
SUBMITTAL

SHEET 2 OF 3

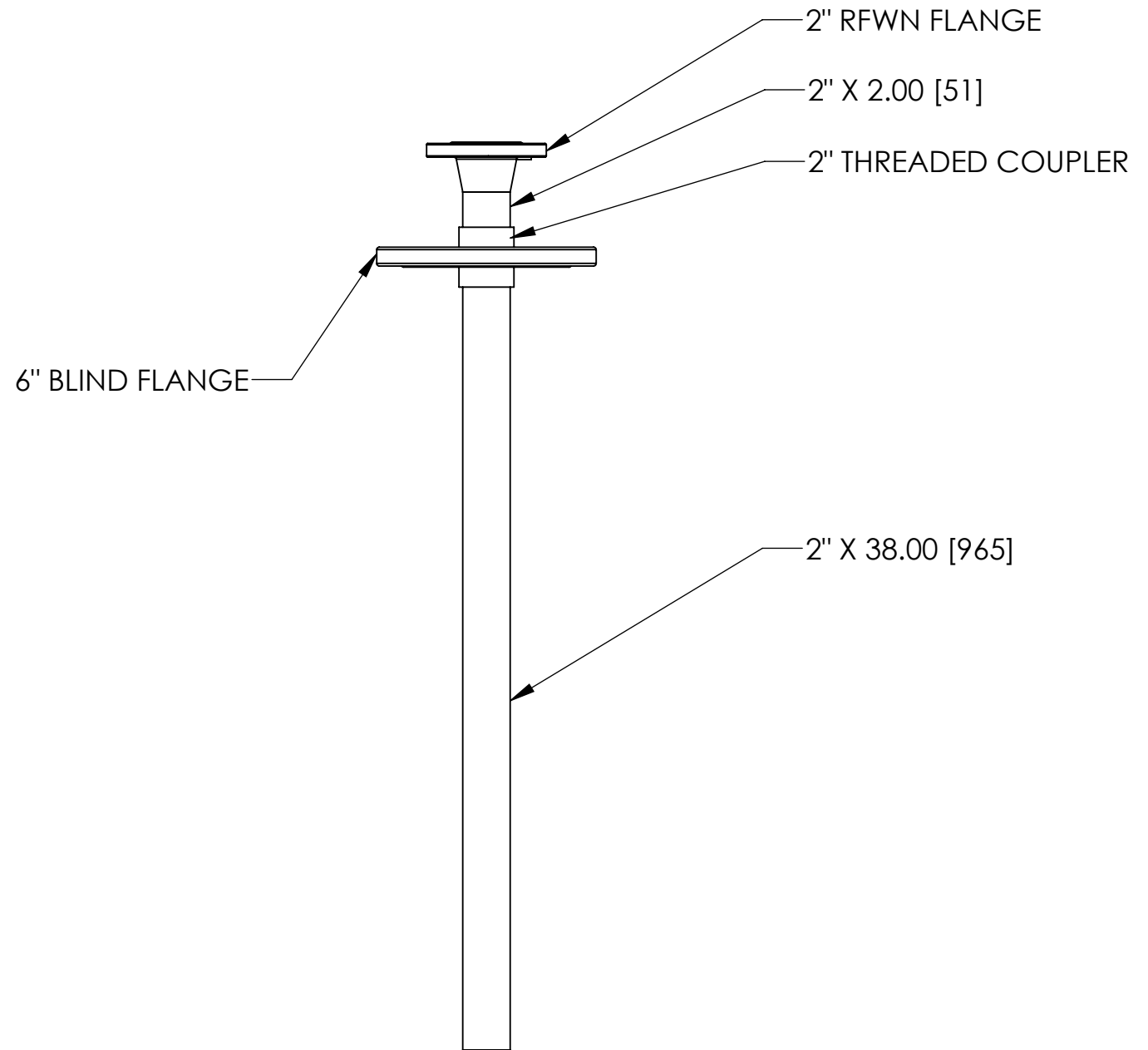
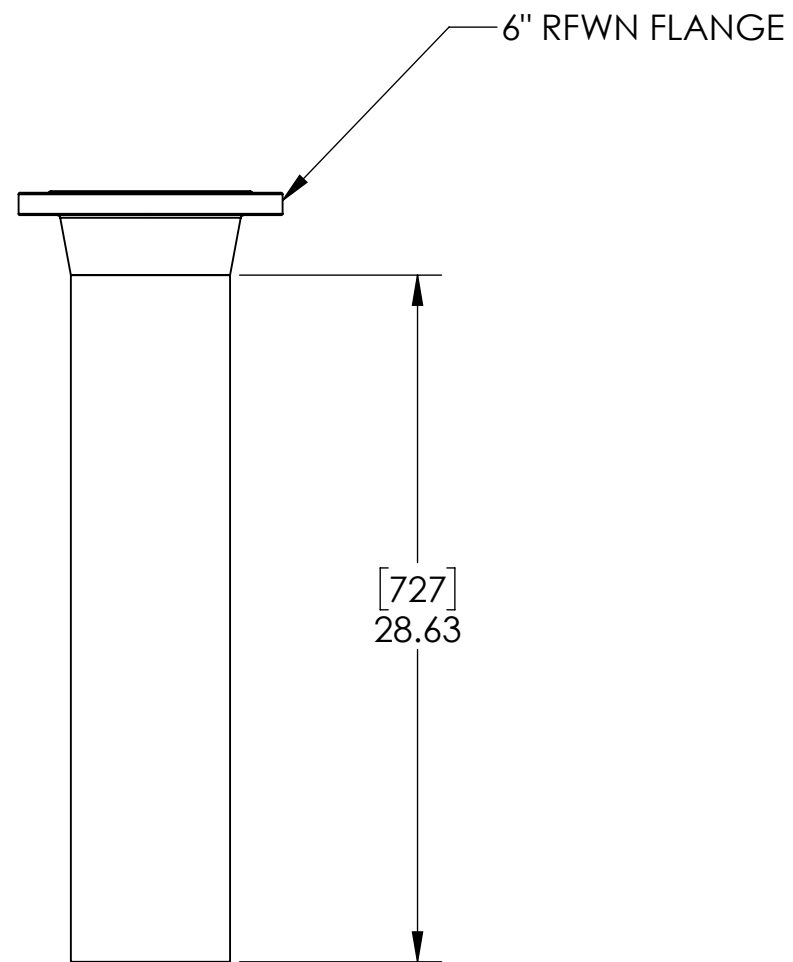
SCALE: 1:8 SIZE: B

THE INFORMATION ON THIS DRAWING IS PROPRIETARY AND IS NOT TO BE REVEALED TO THIRD PARTIES WITHOUT WRITTEN CONSENT OF A CORPORATE OFFICER OF USS, LLC.

[MILLIMETERS]
INCHES

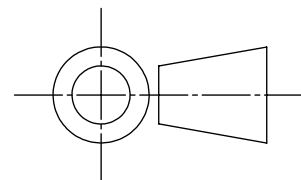


EMPTY PIT: 324 LB [147 KG]



STACK-UP COMPONENTS SHOWN TO SCALE. HOWEVER, CONTRACTOR SHOULD PROTOTYPE AND FIELD TEST FIRST ARTICLE BEFORE FABRICATING REMAINING STACK-UPS.

[MILLIMETERS]
INCHES



APPROVALS	DATE
DRAWN DLL	06-03-24
CHECKED DLL	06-03-24
APPROVED CDM	06-03-24
SHEET 3 OF 3	
SCALE: 1:8	SIZE: B

USS, LLC
 PHONE: (260) 693-1172 FAX: (260) 693-1178
 WEB SITE: WWW.USSPECIALISTS.COM

USS24-20x20-38D
LPDBA(6)[10]
STACK-UP

THE INFORMATION ON THIS DRAWING IS PROPRIETARY AND IS NOT TO BE REVEALED TO THIRD PARTIES WITHOUT WRITTEN CONSENT OF A CORPORATE OFFICER OF USS, LLC.