

INTERNAL COMPONENTS SHOWN FOR REFERENCE. NO INTERNAL COMPONENTS PROVIDED.

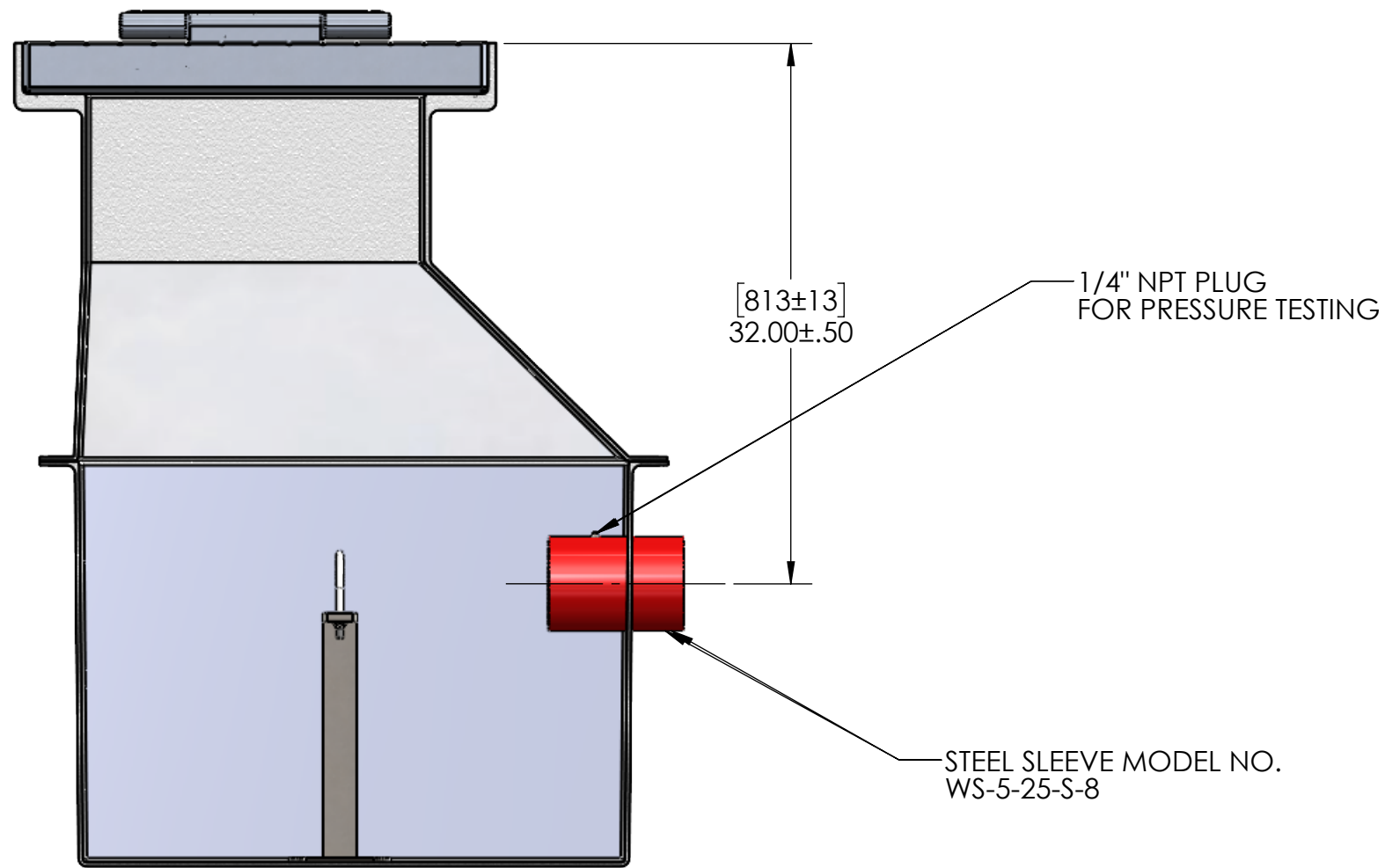


APPROVALS	DATE
DRAWN DLL	08-19-24
CHECKED DLL	08-19-24
APPROVED CDM	08-19-24
SHEET 1 OF 7	
SCALE: 1:14	SIZE: B

USS, LLC
PHONE: (260) 693-1172 FAX: (260) 693-1178
WEB SITE: WWW.USSPECIALISTS.COM

USS27.5(14)-20x20-20x32-48.75D
LPD(3x2)[5]
3 VIEW, PLAN, CUT

THE INFORMATION ON THIS DRAWING IS PROPRIETARY AND IS NOT TO BE REVEALED TO THIRD PARTIES WITHOUT WRITTEN CONSENT OF A CORPORATE OFFICER OF USS, LLC.



QUANTITY _____

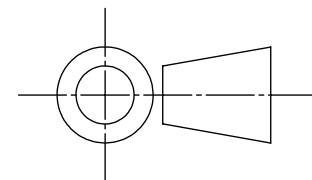
RELEASE FOR FABRICATION

NAME _____ SIGNATURE _____

DATE _____ COMPANY _____

EMPTY PIT: 377 LB [171 KG]

[MILLIMETERS]
INCHES

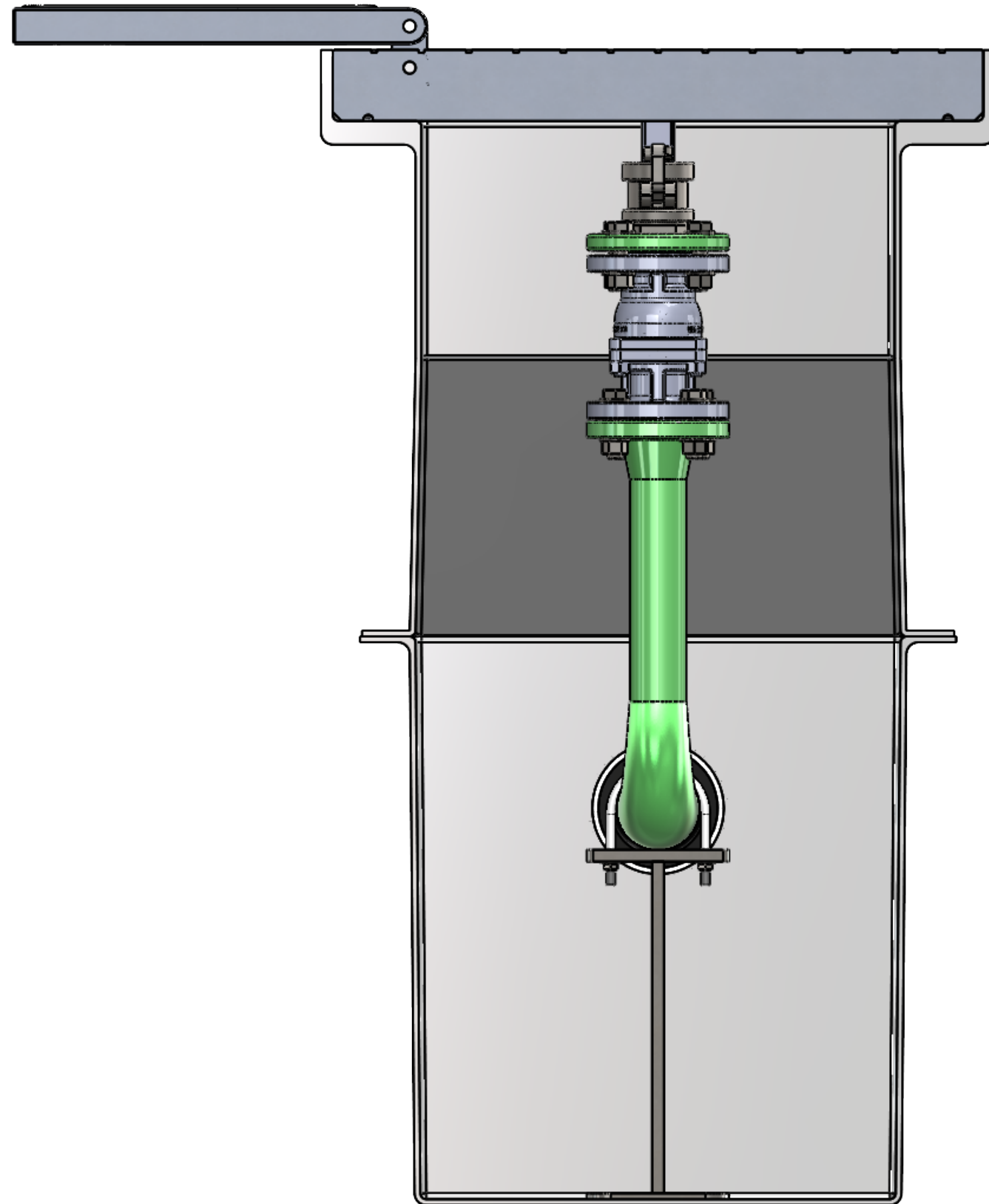


APPROVALS	DATE
DRAWN DLL	08-19-24
CHECKED DLL	08-19-24
APPROVED CDM	08-19-24
SHEET 2 OF 7	
SCALE: 1:10	SIZE: B

USS, LLC
PHONE: (260) 693-1172 FAX: (260) 693-1178
WEB SITE: WWW.USSPECIALISTS.COM

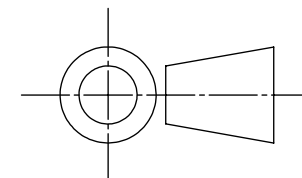
USS27.5(14)-20x20-20x32-48.75D
LPD(3x2)[5]
SUBMITTAL

THE INFORMATION ON THIS DRAWING IS PROPRIETARY AND IS NOT TO BE REVEALED TO THIRD PARTIES WITHOUT WRITTEN CONSENT OF A CORPORATE OFFICER OF USS, LLC.



INTERNAL COMPONENTS SHOWN FOR REFERENCE.
NO INTERNAL COMPONENTS PROVIDED.

[MILLIMETERS]
INCHES



RELEASE FOR FABRICATION

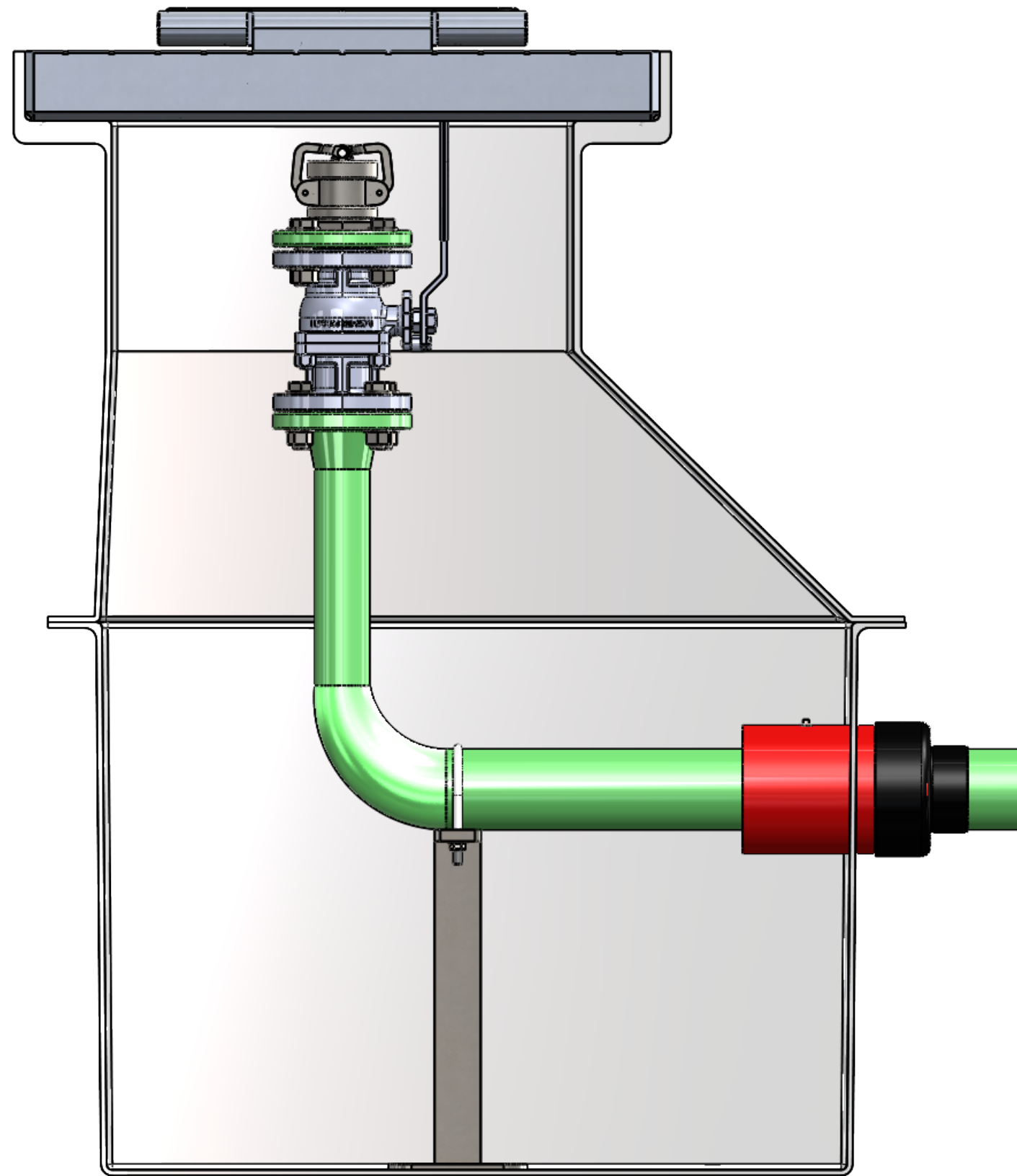
NAME _____ SIGNATURE _____

DATE _____ COMPANY _____

APPROVALS	DATE
DRAWN DLL	08-19-24
CHECKED DLL	08-19-24
APPROVED CDM	08-19-24

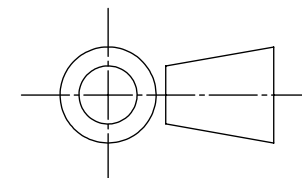
SHEET 3 OF 7
SCALE: 1:6 SIZE: B

USS, LLC
PHONE: (260) 693-1172 FAX: (260) 693-1178
WEB SITE: WWW.USSPECIALISTS.COM
USS27.5(14)-20x20-20x32-48.75D
LPD(3x2)[5]
SIDE CUT VIEW
THE INFORMATION ON THIS DRAWING IS PROPRIETARY AND IS NOT TO BE REVEALED TO THIRD PARTIES WITHOUT WRITTEN CONSENT OF A CORPORATE OFFICER OF USS, LLC.



INTERNAL COMPONENTS SHOWN FOR REFERENCE.
NO INTERNAL COMPONENTS PROVIDED.

[MILLIMETERS]
INCHES



Utility Systems Specialists

RELEASE FOR FABRICATION

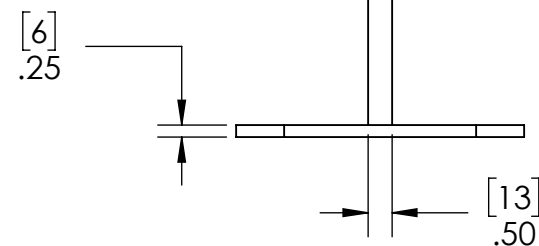
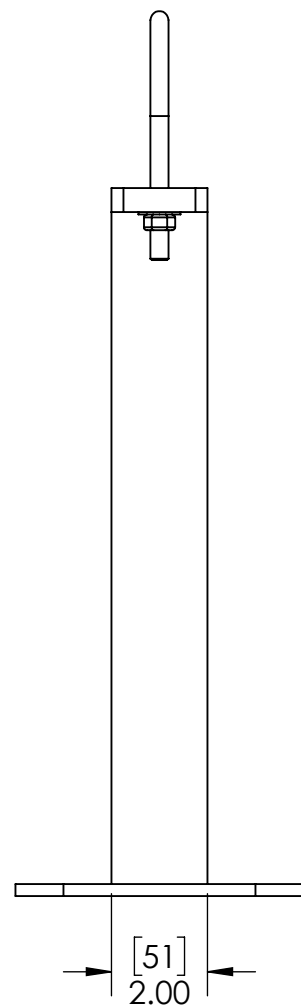
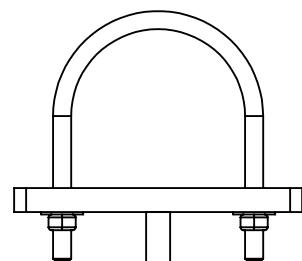
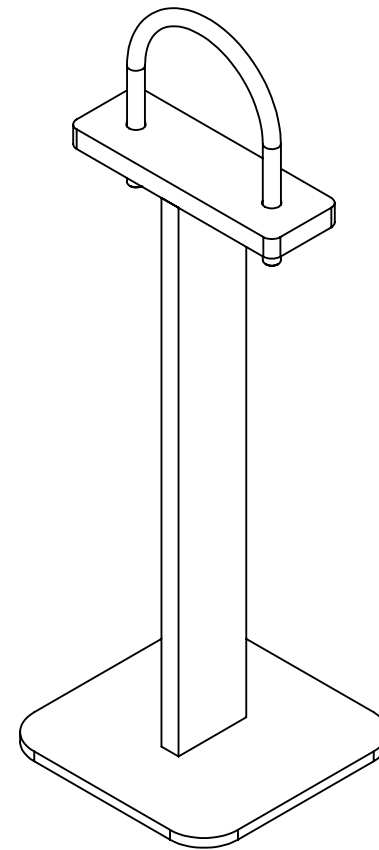
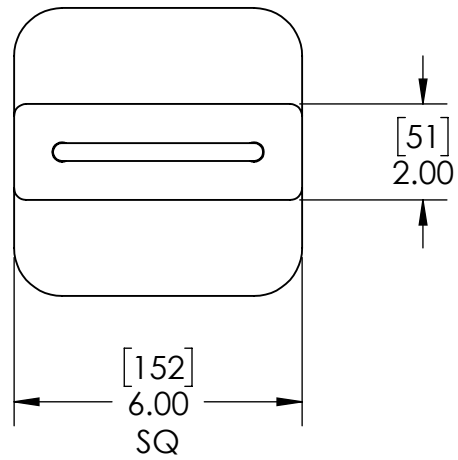
NAME _____ SIGNATURE _____

DATE _____ COMPANY _____

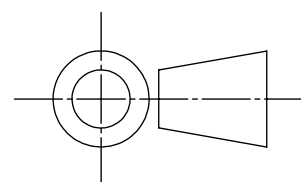
APPROVALS	DATE
DRAWN DLL	08-19-24
CHECKED DLL	08-19-24
APPROVED CDM	08-19-24

SHEET 4 OF 7
SCALE: 1:6 SIZE: B

USS, LLC
PHONE: (260) 693-1172 FAX: (260) 693-1178
WEB SITE: WWW.USSPECIALISTS.COM
USS27.5(14)-20x20-20x32-48.75D
LPD(3x2)[5]
FRONT CUT VIEW
THE INFORMATION ON THIS DRAWING IS PROPRIETARY AND IS NOT TO BE REVEALED TO THIRD PARTIES WITHOUT WRITTEN CONSENT OF A CORPORATE OFFICER OF USS, LLC.



[MILLIMETERS]
INCHES



PIPE SUPPORT SHOWN TO SCALE. HOWEVER, CONTRACTOR SHOULD PROTOTYPE AND FIELD TEST FIRST ARTICLE BEFORE FABRICATING REMAINING PIPE SUPPORTS.

RELEASE FOR FABRICATION

NAME _____ SIGNATURE _____

DATE _____ COMPANY _____

APPROVALS	DATE
DRAWN DLL	08-19-24
CHECKED DLL	08-19-24
APPROVED CDM	08-19-24

USS, LLC
PHONE: (260) 693-1172 FAX: (260) 693-1178
WEB SITE: WWW.USSPECIALISTS.COM

USS27.5(14)-20x20-20x32-48.75D

LPD(3x2)[5]

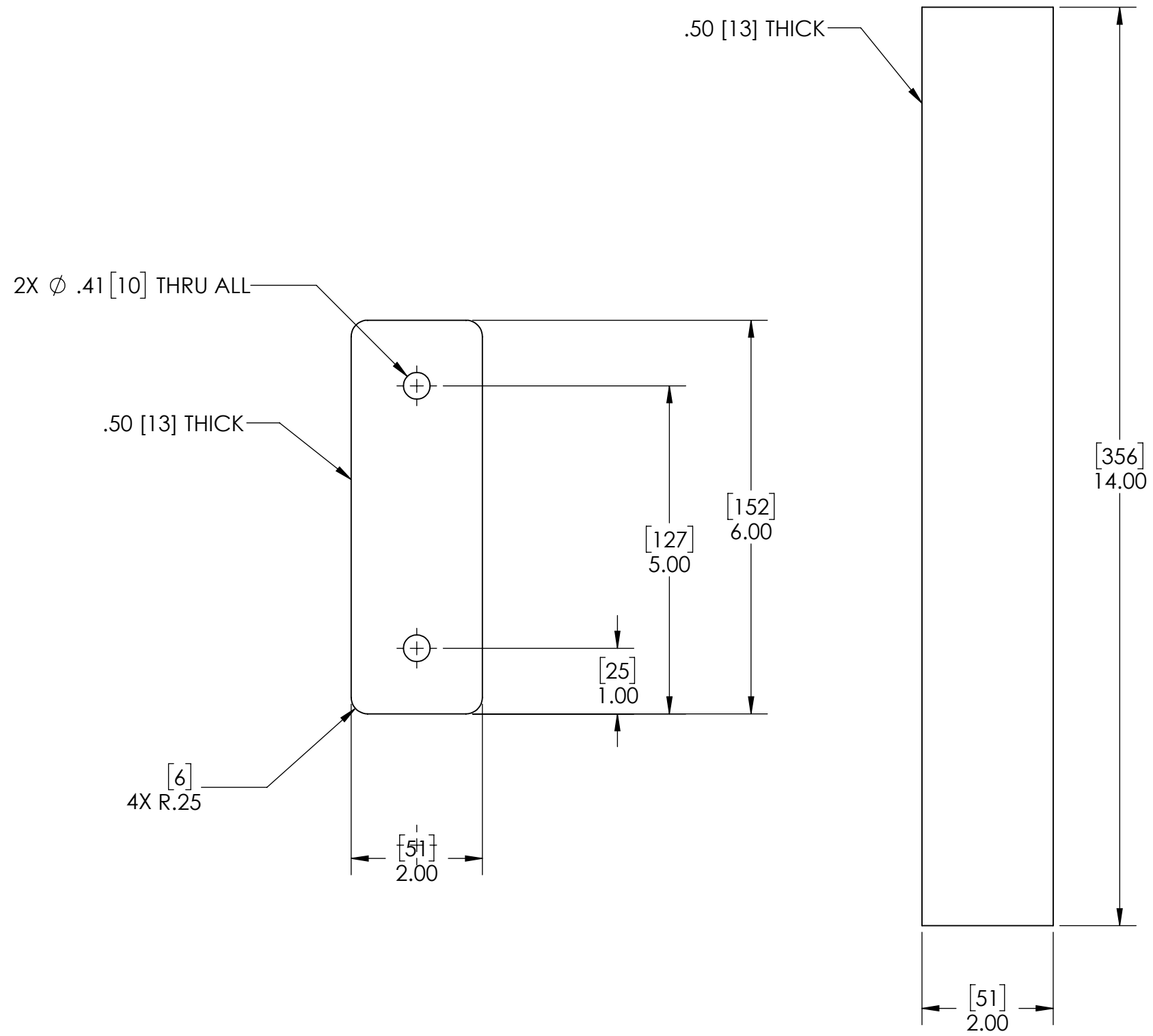
PIPE SUPPORT

SHEET 5 OF 7

SCALE: 1:4 SIZE: B

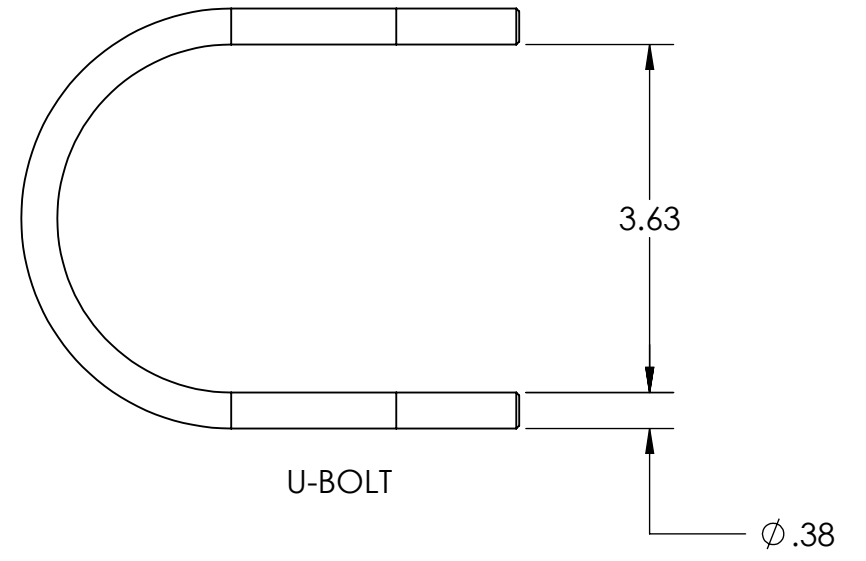
THE INFORMATION ON THIS DRAWING IS PROPRIETARY AND IS NOT TO BE REVEALED TO THIRD PARTIES WITHOUT WRITTEN CONSENT OF A CORPORATE OFFICER OF USS, LLC.



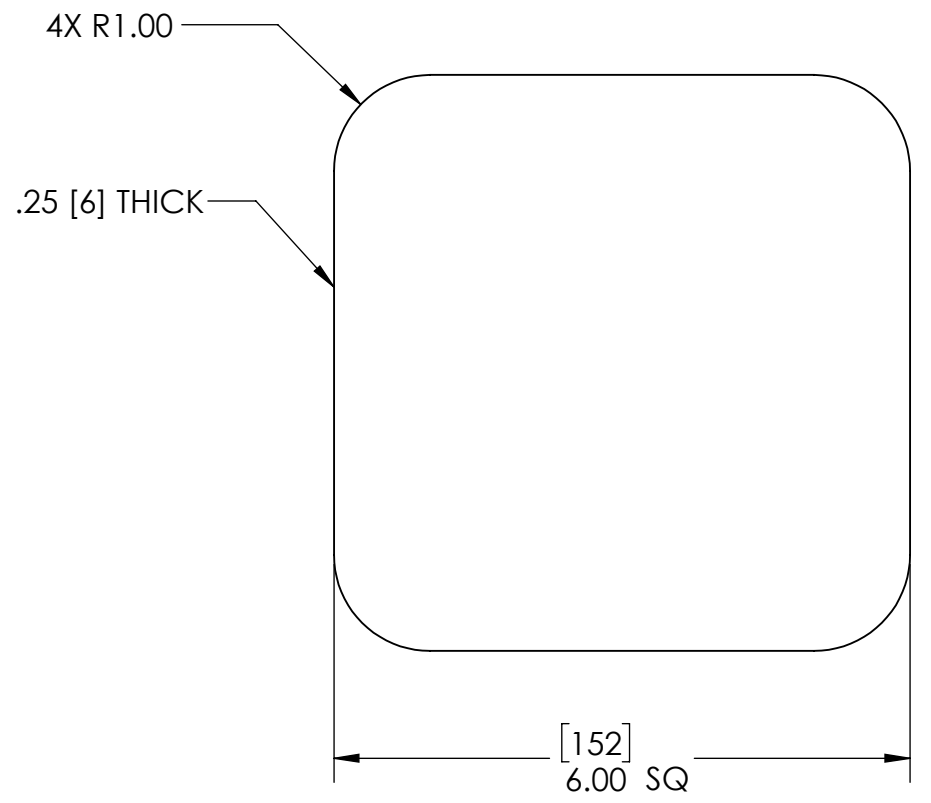


CROSSBAR

UPRIGHT



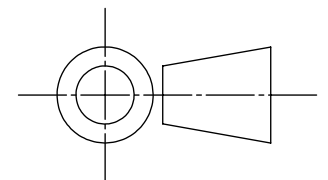
U-BOLT



BASE PLATE

STEEL

[MILLIMETERS]
INCHES

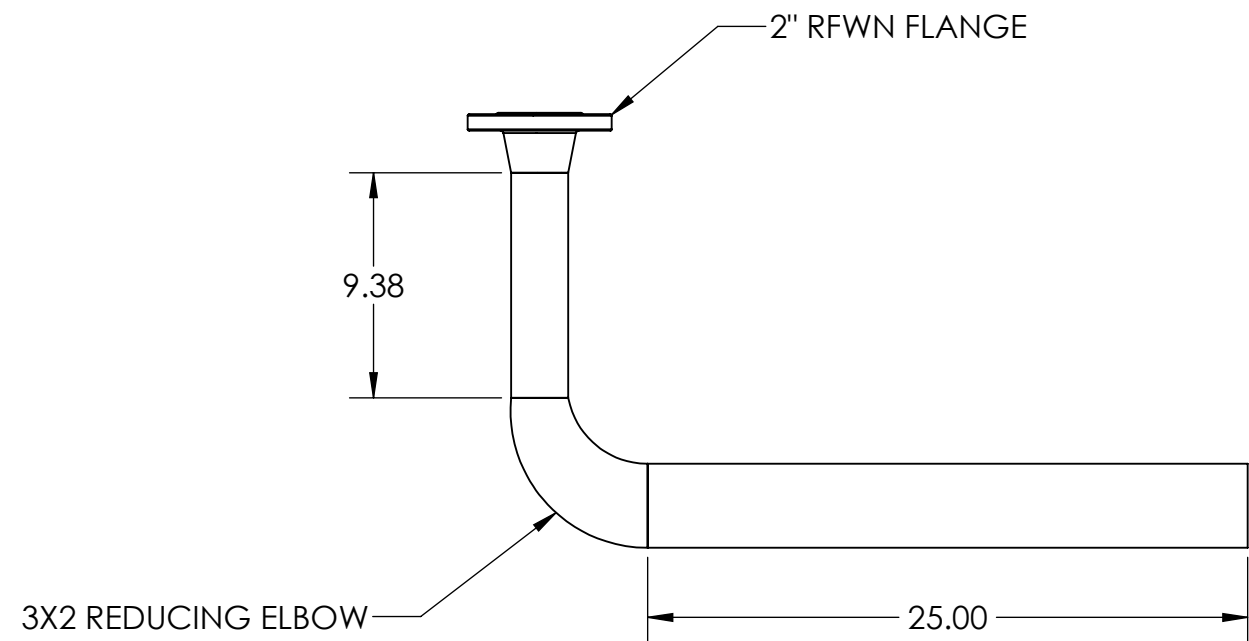


APPROVALS	DATE
DRAWN DLL	08-19-24
CHECKED DLL	08-19-24
APPROVED CDM	08-19-24
SHEET 6 OF 7	
SCALE: 1:2	SIZE: B

USS, LLC
 PHONE: (260) 693-1172 FAX: (260) 693-1178
 WEB SITE: WWW.USSPECIALISTS.COM

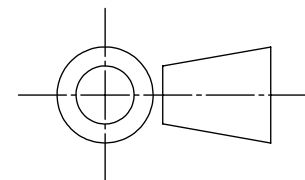
USS27.5(14)-20x20-20x32-48.75D
LPD(3x2)[5]
PIPE SUPPORT PARTS

THE INFORMATION ON THIS DRAWING IS PROPRIETARY AND IS NOT TO BE REVEALED TO THIRD PARTIES WITHOUT WRITTEN CONSENT OF A CORPORATE OFFICER OF USS, LLC.



STACK-UP COMPONENTS SHOWN TO SCALE. HOWEVER, CONTRACTOR SHOULD PROTOTYPE AND FIELD TEST FIRST ARTICLE BEFORE FABRICATING REMAINING STACK-UPS.

[MILLIMETERS]
INCHES



APPROVALS	DATE
DRAWN DLL	08-19-24
CHECKED DLL	08-19-24
APPROVED CDM	08-19-24
SHEET 7 OF 7	
SCALE: 1:8	SIZE: B

USS, LLC
 PHONE: (260) 693-1172 FAX: (260) 693-1178
 WEB SITE: WWW.USSPECIALISTS.COM
USS27.5(14)-20x20-20x32-48.75D
LPD(3x2)[5]
STACK-UP
 THE INFORMATION ON THIS DRAWING IS PROPRIETARY AND IS NOT TO BE REVEALED TO THIRD PARTIES WITHOUT WRITTEN CONSENT OF A CORPORATE OFFICER OF USS, LLC.

Utility Systems Specialists