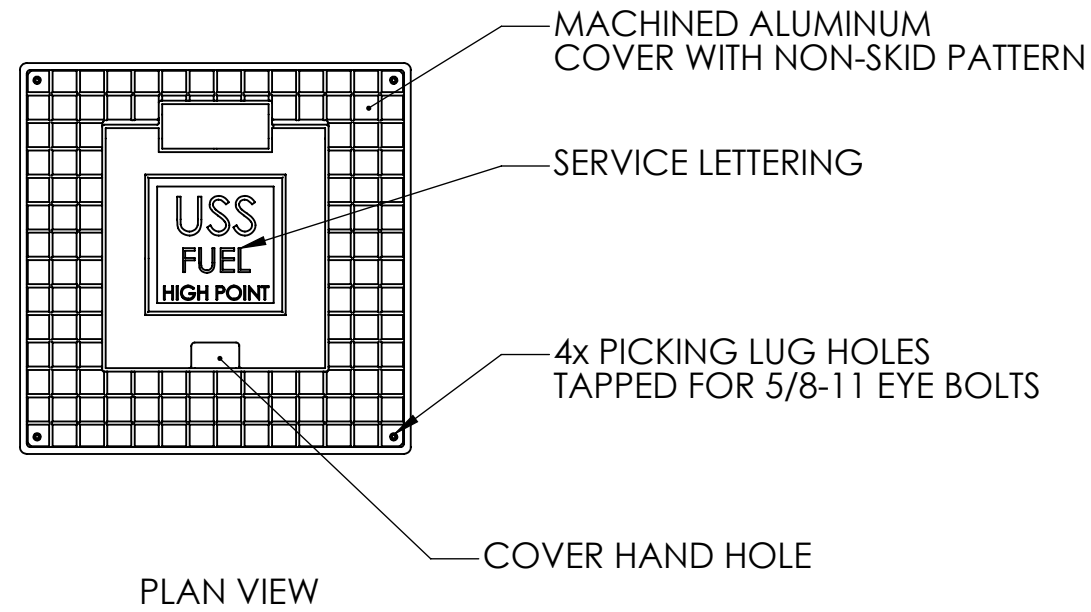
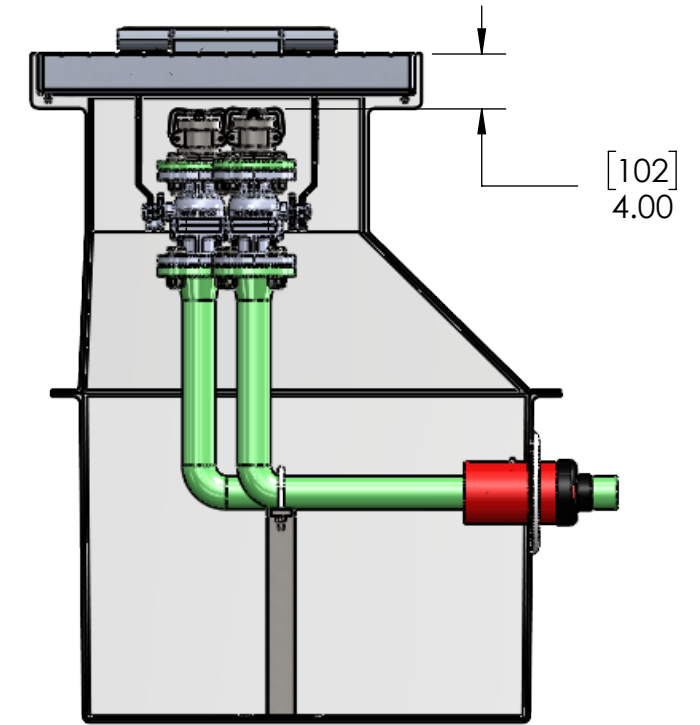


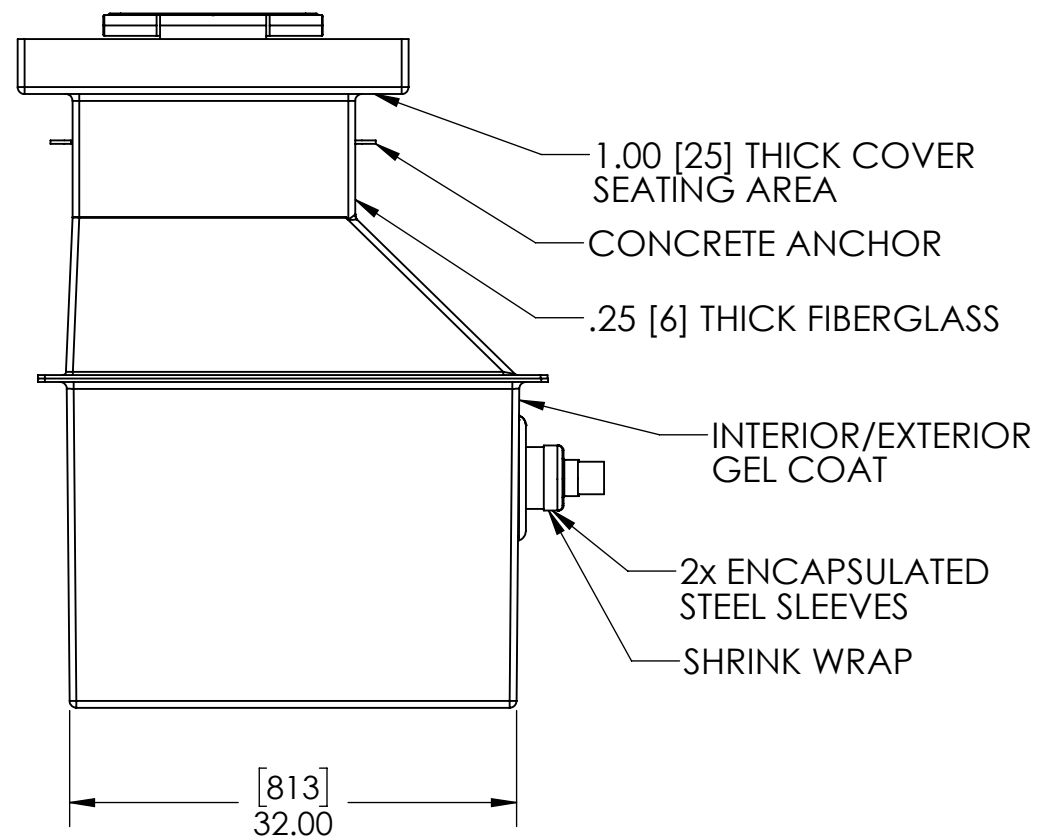
TOP VIEW



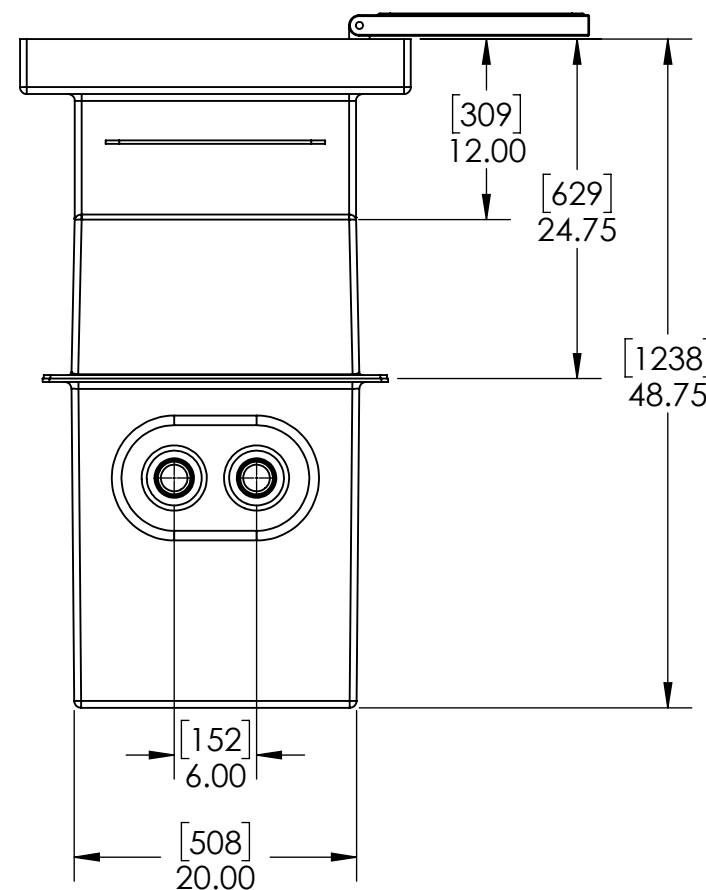
PLAN VIEW



FRONT CUT VIEW



FRONT VIEW



SIDE VIEW

INTERNAL COMPONENTS SHOWN FOR REFERENCE.  
NO INTERNAL COMPONENTS PROVIDED.

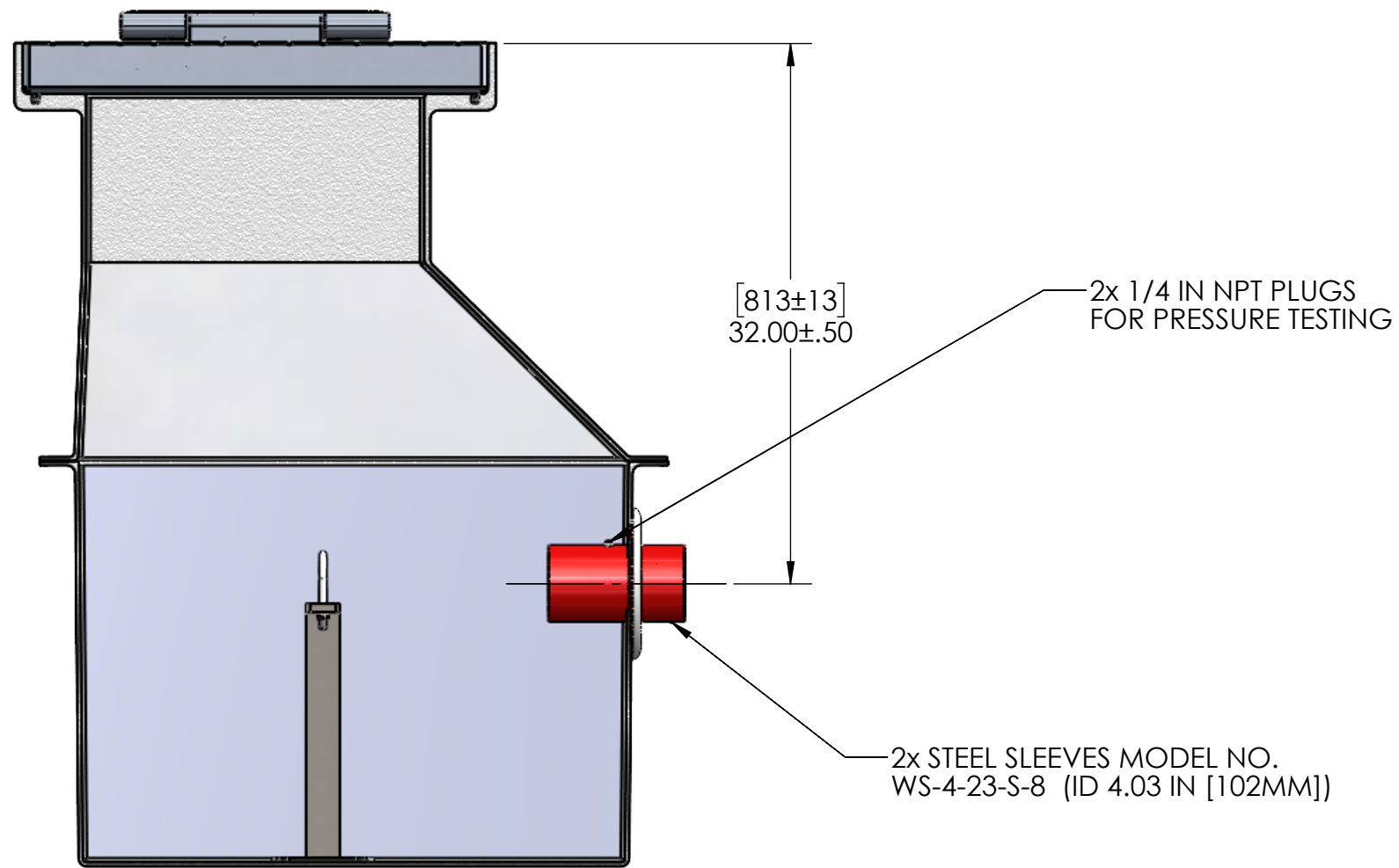


APPROVALS	DATE
DRAWN DLL	06-28-24
CHECKED DLL	06-28-24
APPROVED CDM	06-28-24
SHEET 1 OF 7	
SCALE: 1:14	SIZE: B

**USS, LLC**  
PHONE: (260) 693-1172 FAX: (260) 693-1178  
WEB SITE: WWW.USSPECIALISTS.COM

**USS27.5(14)-20x20-20x32-48.75D**  
**(2)HPV(2)[4]**  
**3 VIEW, PLAN, CUT**

THE INFORMATION ON THIS DRAWING IS PROPRIETARY AND IS NOT TO BE REVEALED TO THIRD PARTIES WITHOUT WRITTEN CONSENT OF A CORPORATE OFFICER OF USS, LLC.



QUANTITY	_____
----------	-------

RELEASE FOR FABRICATION	
NAME _____	SIGNATURE _____
DATE _____	COMPANY _____

EMPTY PIT: 402 LB [182 KG]

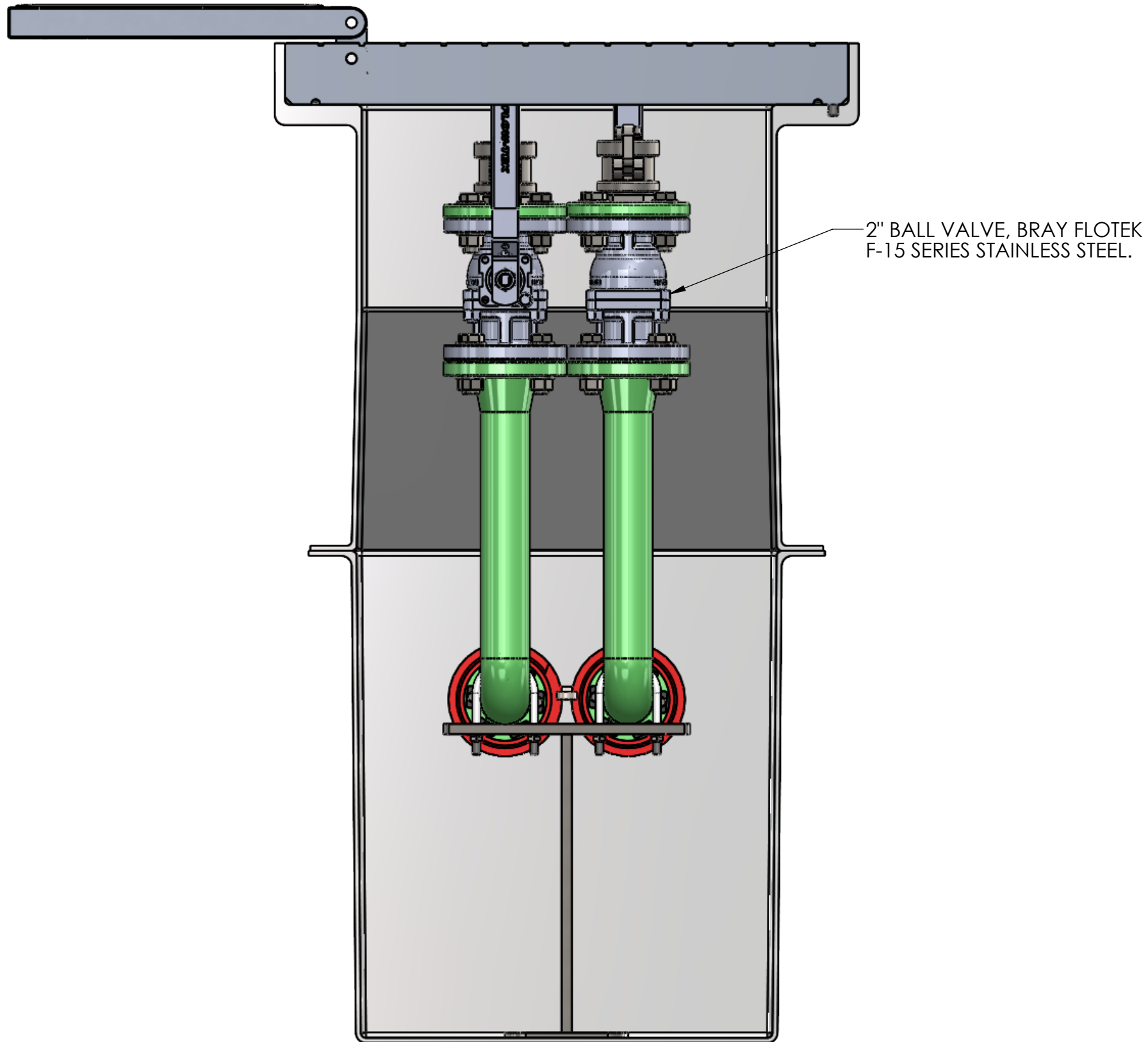


APPROVALS	DATE
DRAWN DLL	06-28-24
CHECKED DLL	06-28-24
APPROVED CDM	06-28-24
SHEET 2 OF 7	
SCALE: 1:10	SIZE: B

**USS, LLC**  
 PHONE: (260) 693-1172 FAX: (260) 693-1178  
 WEB SITE: WWW.USSPECIALISTS.COM

**USS27.5(14)-20x20-20x32-48.75D**  
**(2)HPV(2)[4]**  
**SUBMITTAL**

THE INFORMATION ON THIS DRAWING IS PROPRIETARY AND IS NOT TO BE REVEALED TO THIRD PARTIES WITHOUT WRITTEN CONSENT OF A CORPORATE OFFICER OF USS, LLC.



INTERNAL COMPONENTS SHOWN FOR REFERENCE.  
NO INTERNAL COMPONENTS PROVIDED.

**RELEASE FOR FABRICATION**

NAME _____	SIGNATURE _____
DATE _____	COMPANY _____

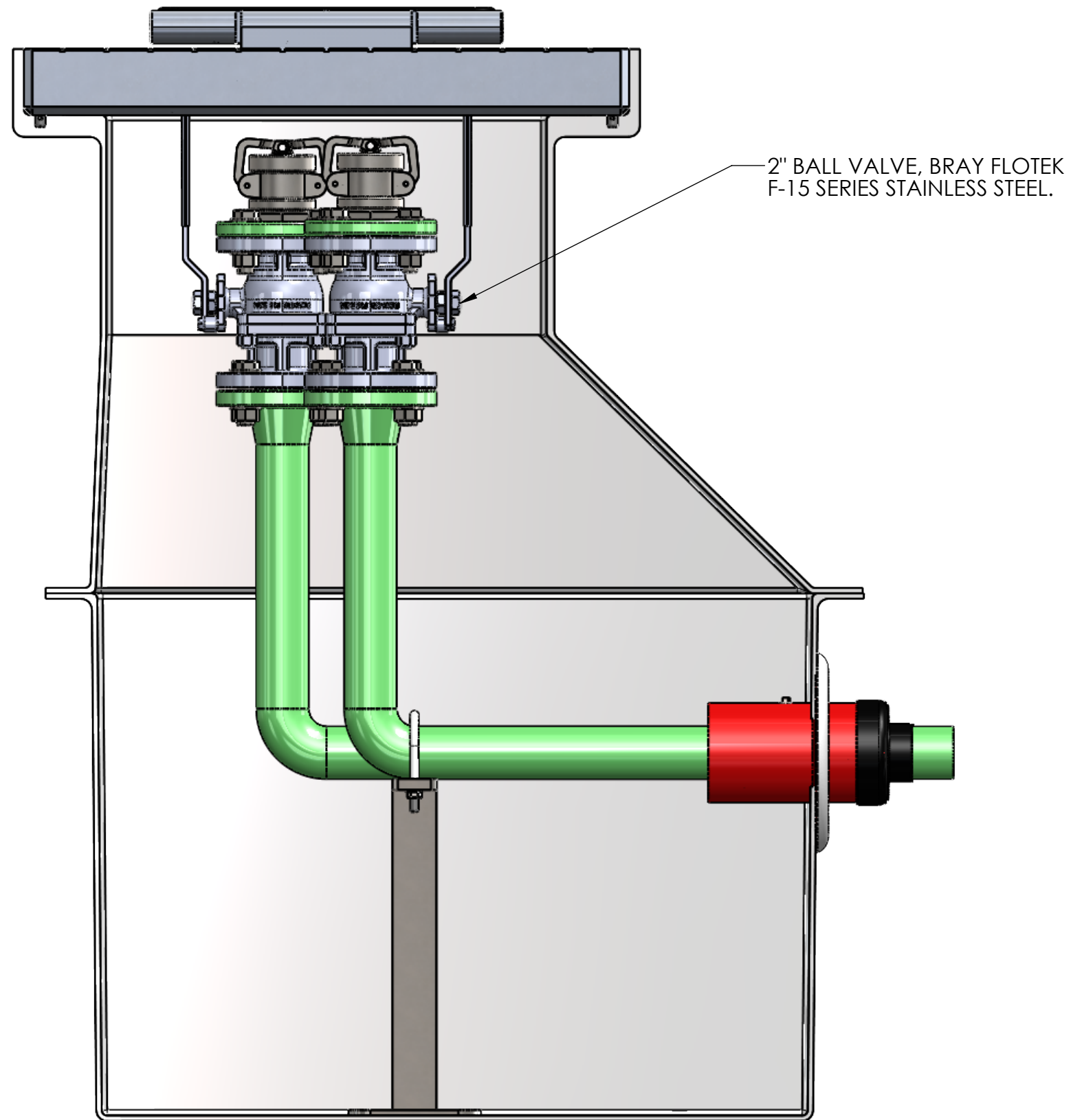


APPROVALS	DATE
DRAWN DLL	06-28-24
CHECKED DLL	06-28-24
APPROVED CDM	06-28-24
SHEET 3 OF 7	
SCALE: 1:6	SIZE: B

**USS, LLC**  
 PHONE: (260) 693-1172 FAX: (260) 693-1178  
 WEB SITE: WWW.USSPECIALISTS.COM

**USS27.5(14)-20x20-20x32-48.75D**  
**(2)HPV(2)[4]**  
**SIDE CUT VIEW**

THE INFORMATION ON THIS DRAWING IS PROPRIETARY AND IS NOT TO BE REVEALED TO THIRD PARTIES WITHOUT WRITTEN CONSENT OF A CORPORATE OFFICER OF USS, LLC.



INTERNAL COMPONENTS SHOWN FOR REFERENCE.  
NO INTERNAL COMPONENTS PROVIDED.

**RELEASE FOR FABRICATION**

NAME \_\_\_\_\_ SIGNATURE \_\_\_\_\_

DATE \_\_\_\_\_ COMPANY \_\_\_\_\_



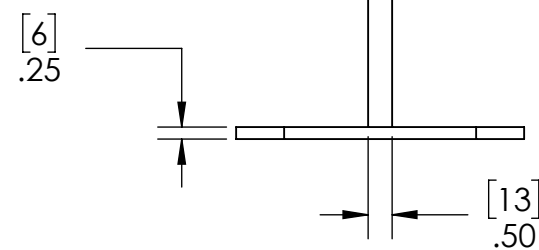
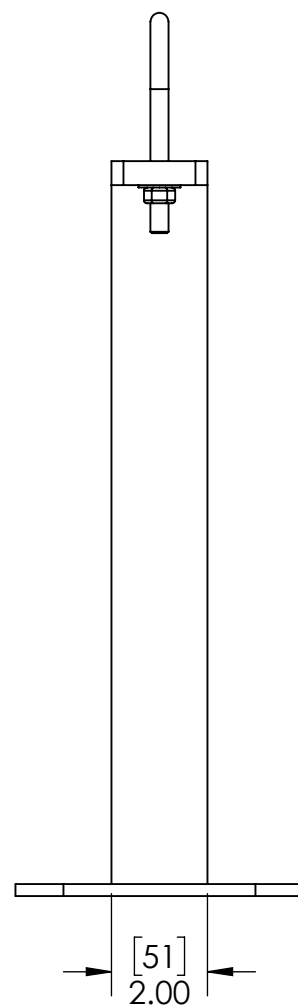
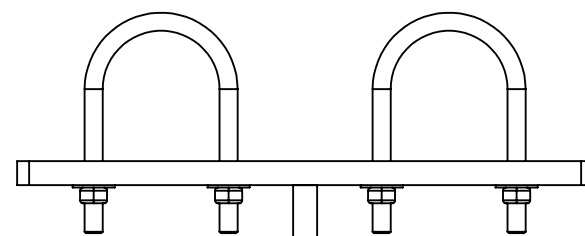
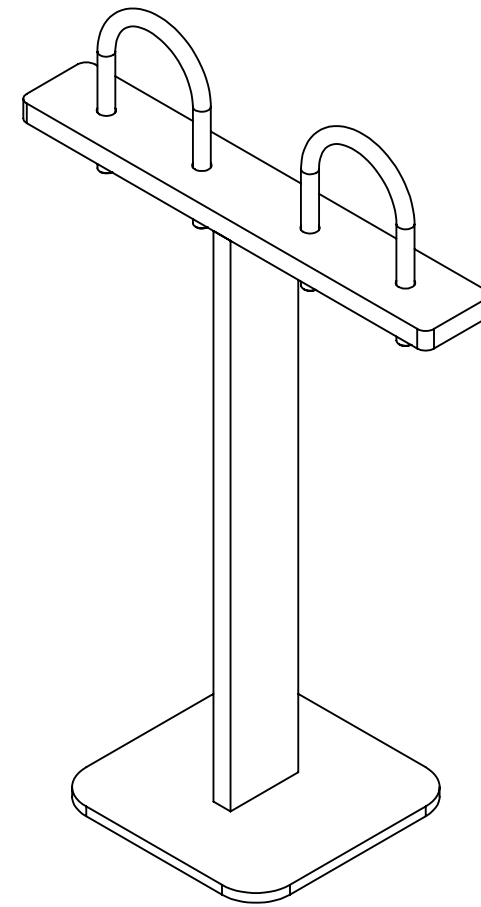
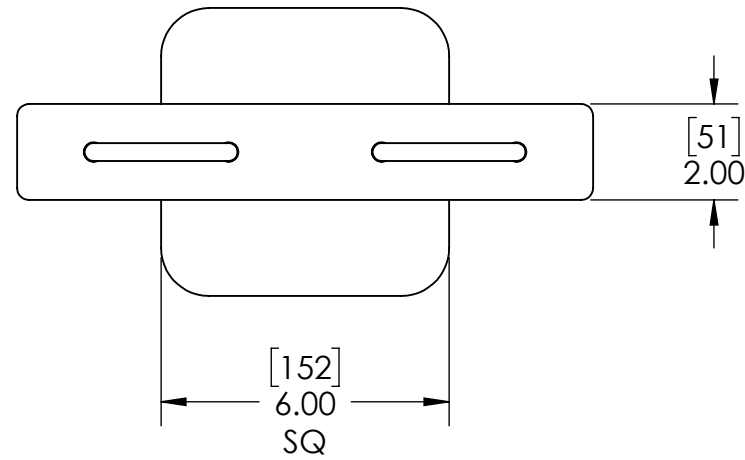
Utility Systems Specialists

APPROVALS	DATE
DRAWN DLL	06-28-24
CHECKED DLL	06-28-24
APPROVED CDM	06-28-24

SHEET 4 OF 7

SCALE: 1:6 SIZE: B

**USS, LLC**  
PHONE: (260) 693-1172 FAX: (260) 693-1178  
WEB SITE: WWW.USSPECIALISTS.COM  
**USS27.5(14)-20x20-20x32-48.75D**  
**(2)HPV(2)[4]**  
**FRONT CUT VIEW**  
THE INFORMATION ON THIS DRAWING IS PROPRIETARY AND IS NOT TO BE REVEALED TO THIRD PARTIES WITHOUT WRITTEN CONSENT OF A CORPORATE OFFICER OF USS, LLC.



PIPE STAND COMPONENTS SHOWN TO SCALE. HOWEVER, CONTRACTOR SHOULD PROTOTYPE AND FIELD TEST FIRST ARTICLE BEFORE FABRICATING REMAINING PIPE STANDS.

**RELEASE FOR FABRICATION**

NAME \_\_\_\_\_ SIGNATURE \_\_\_\_\_

DATE \_\_\_\_\_ COMPANY \_\_\_\_\_

APPROVALS	DATE
DRAWN DLL	06-28-24
CHECKED DLL	06-28-24
APPROVED CDM	06-28-24
SHEET 5 OF 7	

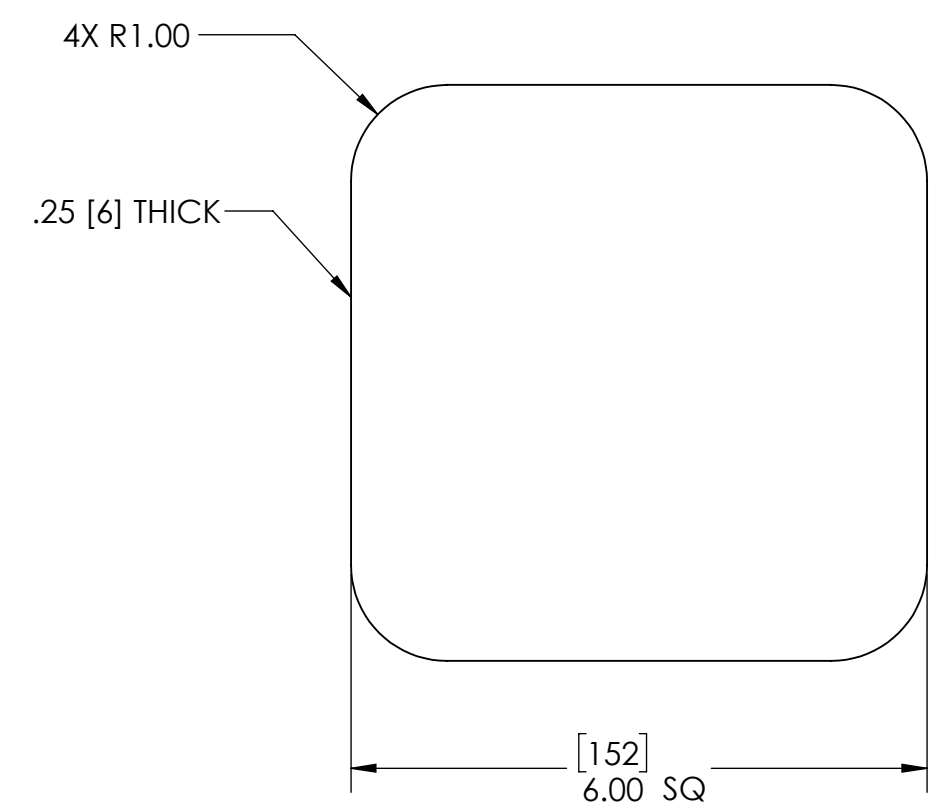
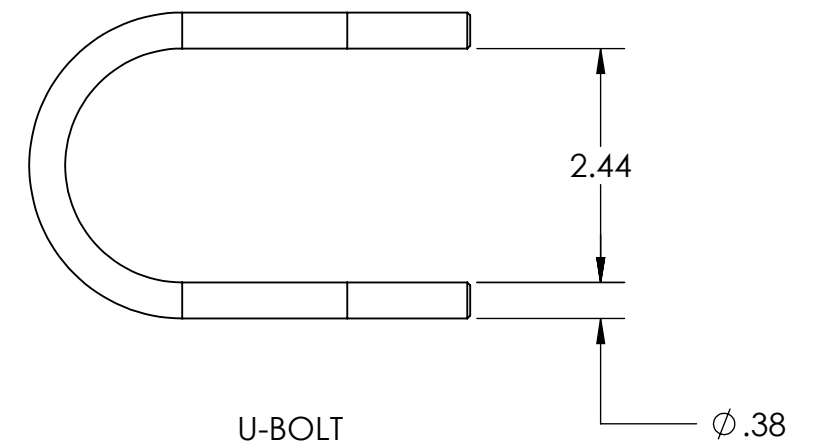
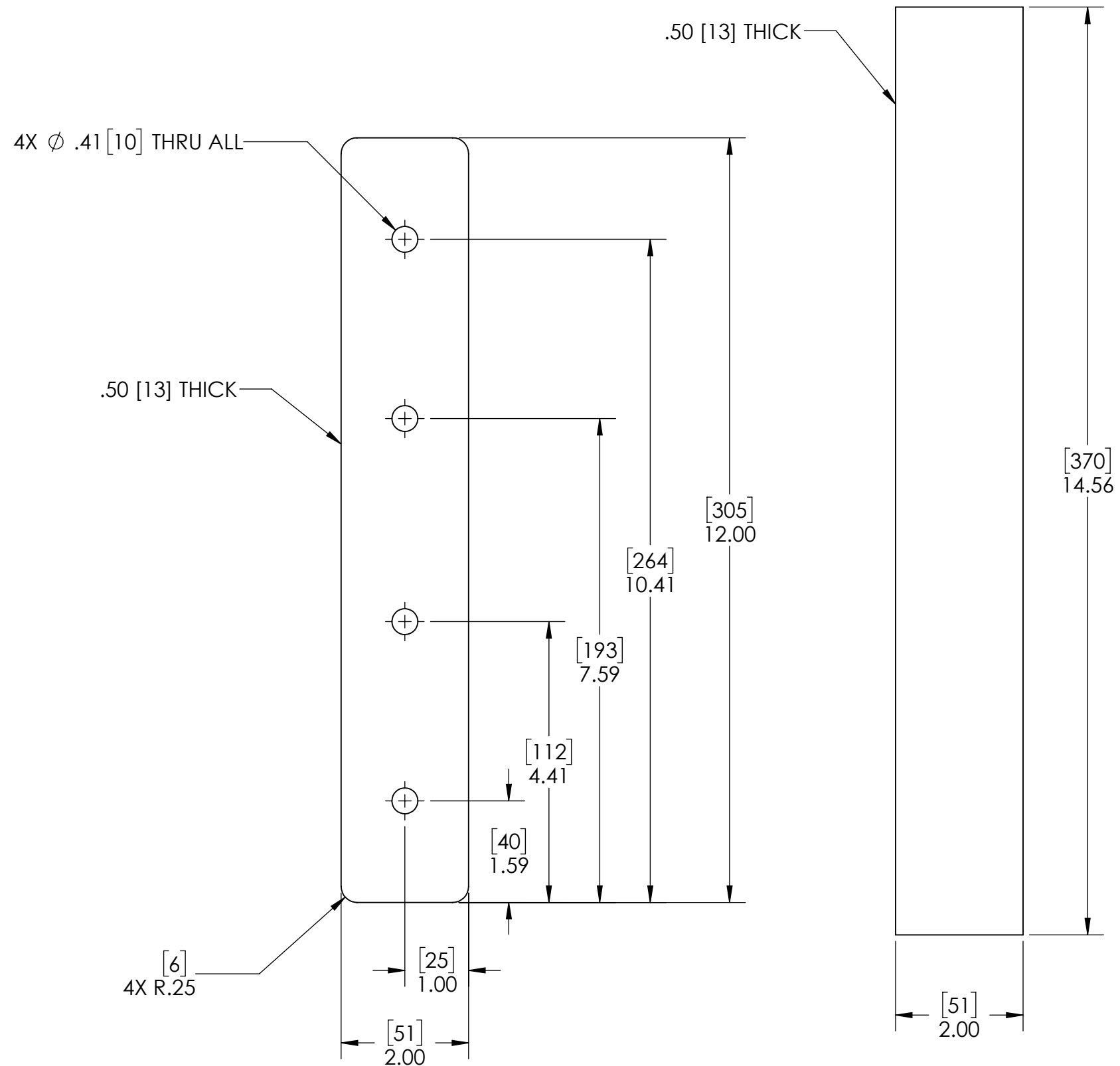
**USS, LLC**  
PHONE: (260) 693-1172 FAX: (260) 693-1178  
WEB SITE: WWW.USSPECIALISTS.COM

**USS27.5(14)-20x20-20x32-48.75D**  
**(2)HPV(2)[4]**  
**PIPE SUPPORT**



SCALE: 1:4 SIZE: B

THE INFORMATION ON THIS DRAWING IS PROPRIETARY AND IS NOT TO BE REVEALED TO THIRD PARTIES WITHOUT WRITTEN CONSENT OF A CORPORATE OFFICER OF USS, LLC.



STEEL



APPROVALS	DATE
DRAWN DLL	06-28-24
CHECKED DLL	06-28-24
APPROVED CDM	06-28-24
SHEET 6 OF 7	
SCALE: 1:2	SIZE: B

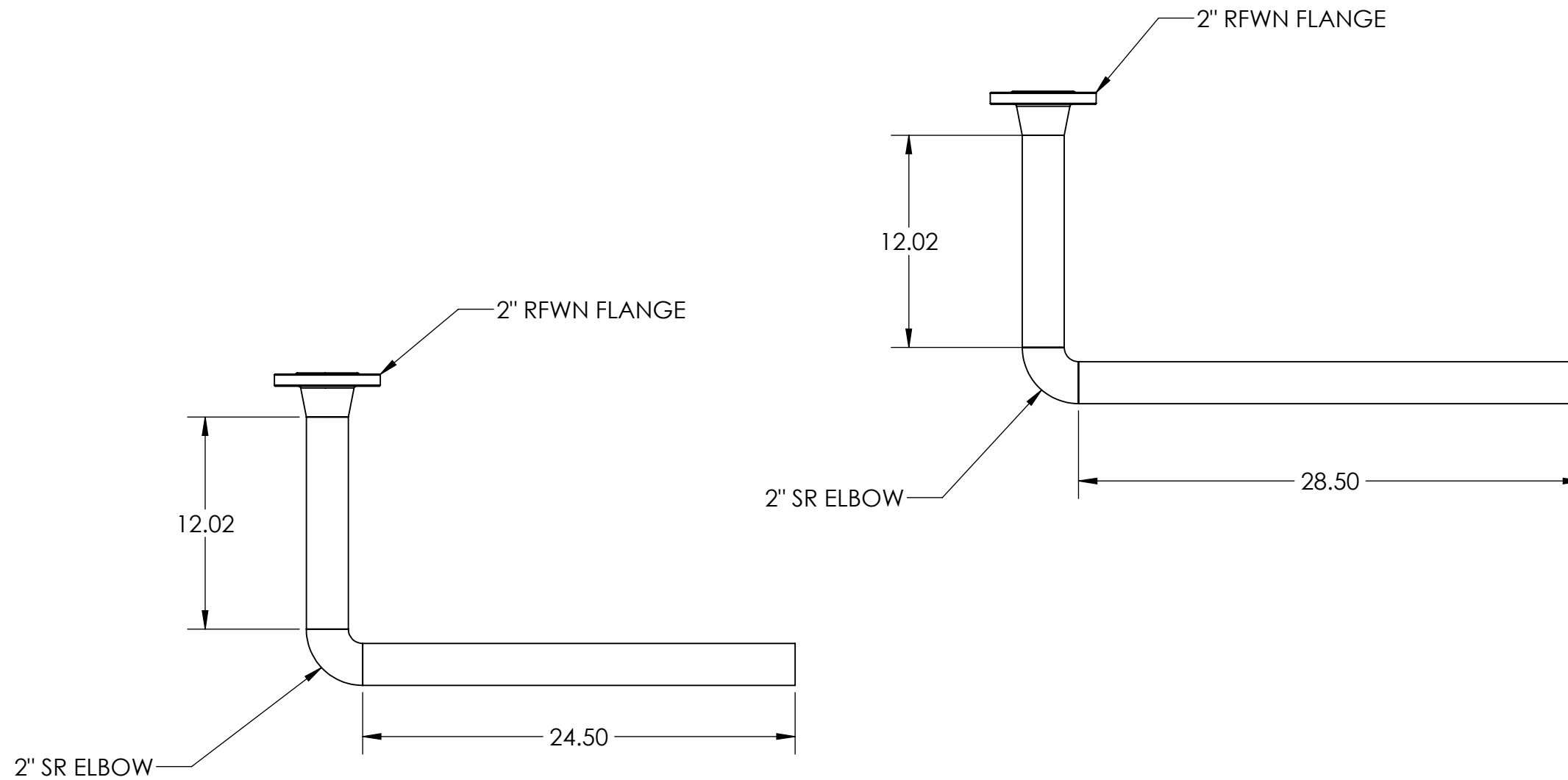
**USS, LLC**  
 PHONE: (260) 693-1172 FAX: (260) 693-1178  
 WEB SITE: WWW.USSPECIALISTS.COM  
**USS27.5(14)-20x20-20x32-48.75D**  
**(2)HPV(2)[4]**  
**PIPE SUPPORT PARTS**  
 THE INFORMATION ON THIS DRAWING IS PROPRIETARY AND IS NOT TO BE REVEALED TO THIRD PARTIES WITHOUT WRITTEN CONSENT OF A CORPORATE OFFICER OF USS, LLC.

CROSSBAR

UPRIGHT

BASE PLATE

U-BOLT



STACK-UP COMPONENTS SHOWN TO SCALE. HOWEVER, CONTRACTOR SHOULD PROTOTYPE AND FIELD TEST FIRST ARTICLE BEFORE FABRICATING REMAINING STACK-UPS.



APPROVALS	DATE	<b>USS, LLC</b> PHONE: (260) 693-1172 FAX: (260) 693-1178 WEB SITE: WWW.USSPECIALISTS.COM <b>USS27.5(14)-20x20-20x32-48.75D</b> <b>(2)HPV(2)[4]</b> <b>STACK-UPS</b>
DRAWN DLL	06-28-24	
CHECKED DLL	06-28-24	
APPROVED CDM	06-28-24	
SHEET 7 OF 7		
SCALE: 1:8	SIZE: B	THE INFORMATION ON THIS DRAWING IS PROPRIETARY AND IS NOT TO BE REVEALED TO THIRD PARTIES WITHOUT WRITTEN CONSENT OF A CORPORATE OFFICER OF USS, LLC.