

INTERNAL COMPONENTS SHOWN FOR REFERENCE.
NO INTERNAL COMPONENTS PROVIDED.



APPROVALS	DATE
DRAWN DLL	07-26-24
CHECKED DLL	07-26-24
APPROVED CDM	07-26-24
SHEET 1 OF 7	
SCALE: 1:14	SIZE: B

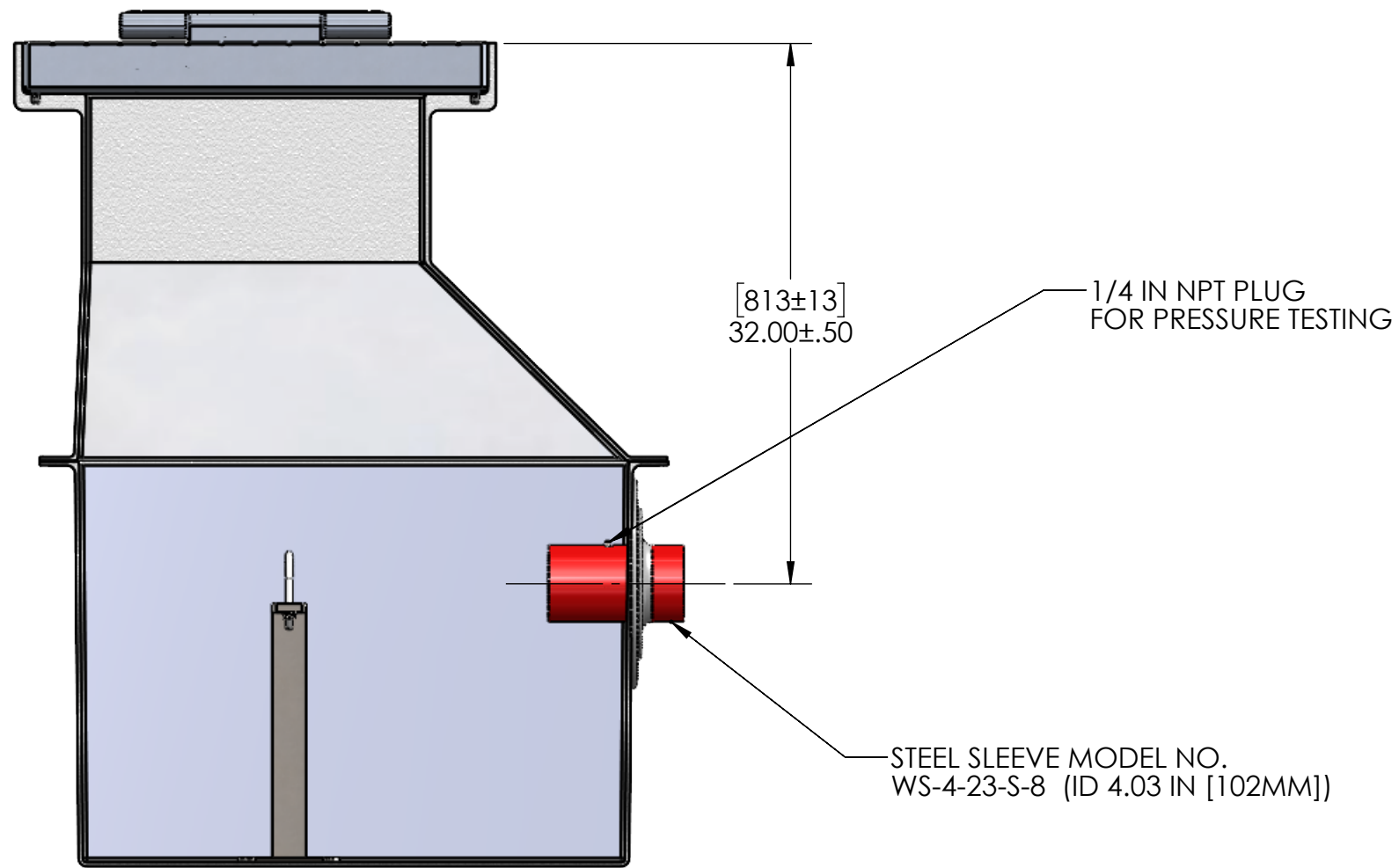
USS, LLC
PHONE: (260) 693-1172 FAX: (260) 693-1178
WEB SITE: WWW.USSPECIALISTS.COM

USS27.5(14)-20x20-20x32-48.75D

LPD(2)[4]

3 VIEW, PLAN, CUT

THE INFORMATION ON THIS DRAWING IS PROPRIETARY AND IS NOT TO BE REVEALED TO THIRD PARTIES WITHOUT WRITTEN CONSENT OF A CORPORATE OFFICER OF USS, LLC.



QUANTITY	_____
----------	-------

RELEASE FOR FABRICATION

NAME _____	SIGNATURE _____
DATE _____	COMPANY _____

EMPTY PIT: 383 LB [174 KG]



APPROVALS	DATE
DRAWN DLL	07-26-24
CHECKED DLL	07-26-24
APPROVED CDM	07-26-24
SHEET 2 OF 7	
SCALE: 1:10	SIZE: B

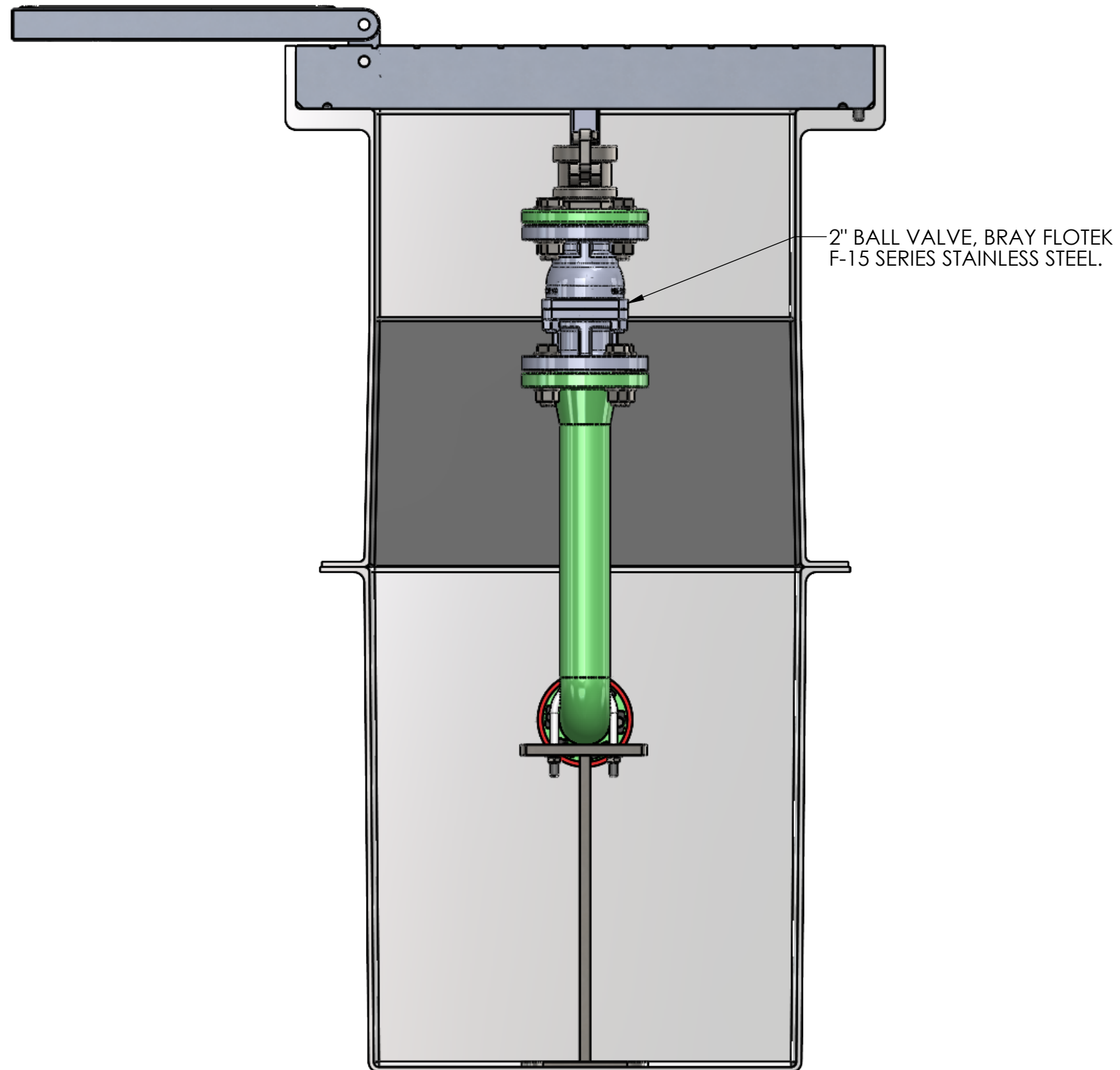
USS, LLC
 PHONE: (260) 693-1172 FAX: (260) 693-1178
 WEB SITE: WWW.USSPECIALISTS.COM

USS27.5(14)-20x20-20x32-48.75D

LPD(2)[4]

SUBMITTAL

THE INFORMATION ON THIS DRAWING IS PROPRIETARY AND IS NOT TO BE REVEALED TO THIRD PARTIES WITHOUT WRITTEN CONSENT OF A CORPORATE OFFICER OF USS, LLC.



INTERNAL COMPONENTS SHOWN FOR REFERENCE.
NO INTERNAL COMPONENTS PROVIDED.

RELEASE FOR FABRICATION

NAME _____ SIGNATURE _____

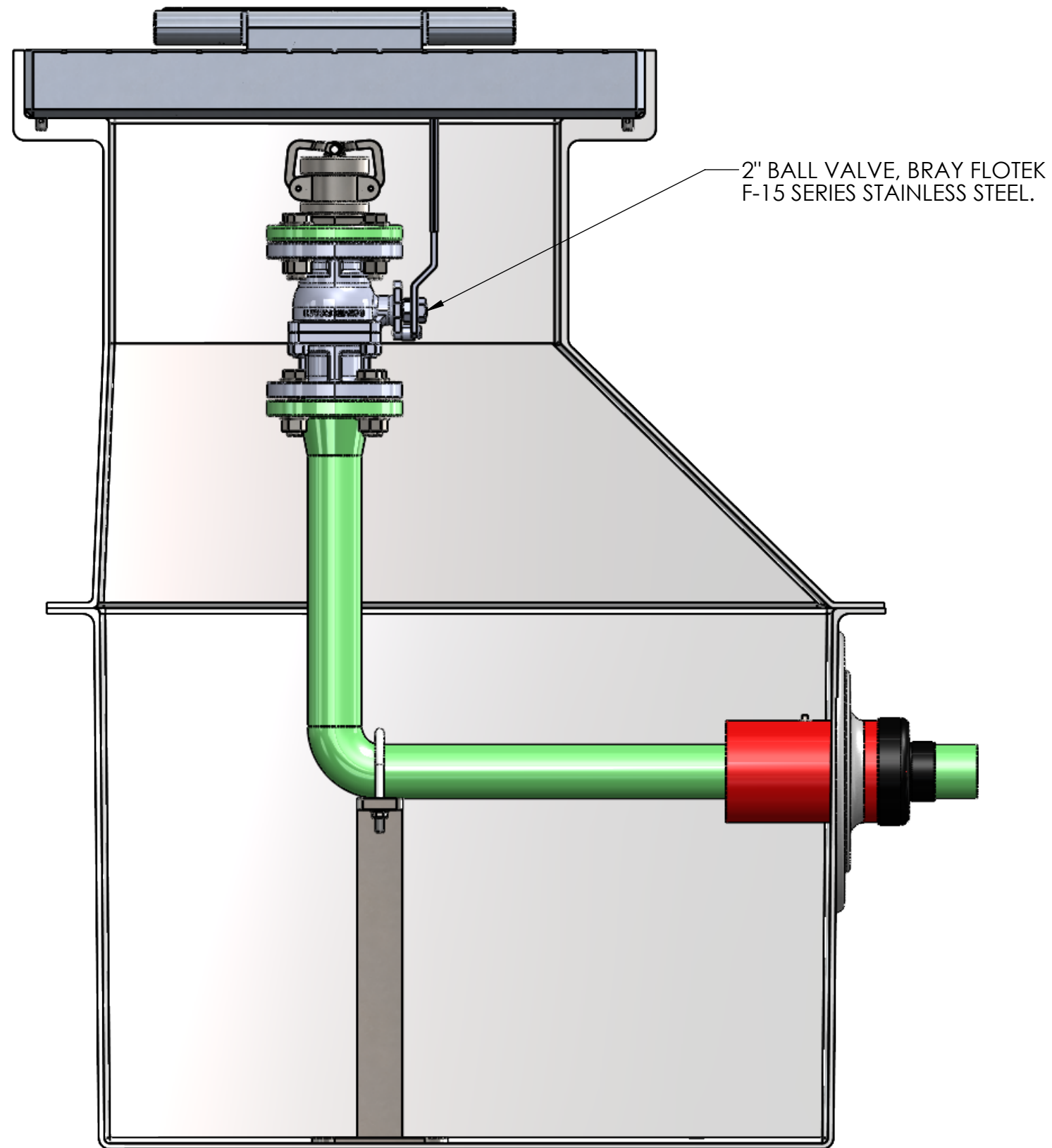
DATE _____ COMPANY _____



APPROVALS	DATE
DRAWN DLL	07-26-24
CHECKED DLL	07-26-24
APPROVED CDM	07-26-24
SHEET 3 OF 7	
SCALE: 1:6	SIZE: B

USS, LLC
PHONE: (260) 693-1172 FAX: (260) 693-1178
WEB SITE: WWW.USSPECIALISTS.COM
USS27.5(14)-20x20-20x32-48.75D
LPD(2)[4]
SIDE CUT VIEW
THE INFORMATION ON THIS DRAWING IS PROPRIETARY AND IS NOT TO BE REVEALED TO THIRD PARTIES WITHOUT WRITTEN CONSENT OF A CORPORATE OFFICER OF USS, LLC.

Utility Systems Specialists



INTERNAL COMPONENTS SHOWN FOR REFERENCE.
NO INTERNAL COMPONENTS PROVIDED.

RELEASE FOR FABRICATION

NAME _____ SIGNATURE _____

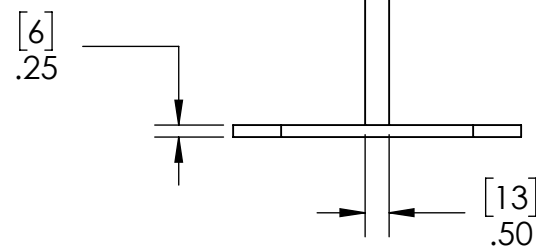
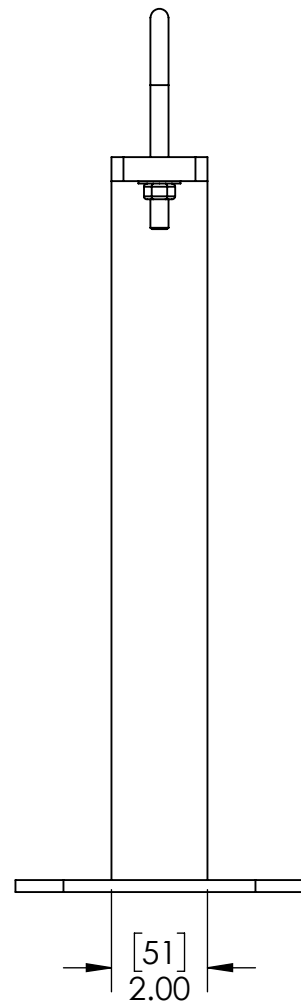
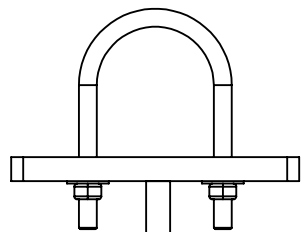
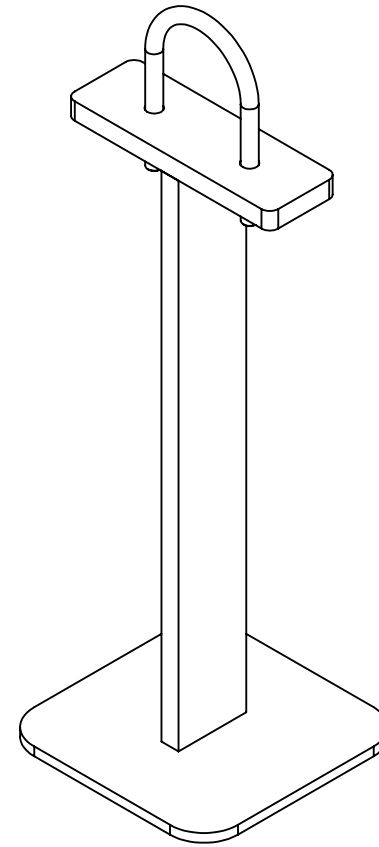
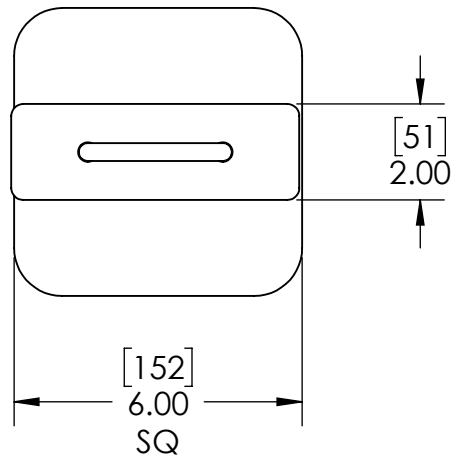
DATE _____ COMPANY _____



APPROVALS	DATE
DRAWN DLL	07-26-24
CHECKED DLL	07-26-24
APPROVED CDM	07-26-24
SHEET 4 OF 7	
SCALE: 1:6	SIZE: B

USS, LLC
PHONE: (260) 693-1172 FAX: (260) 693-1178
WEB SITE: WWW.USSPECIALISTS.COM
USS27.5(14)-20x20-20x32-48.75D
LPD(2)[4]
FRONT CUT VIEW
THE INFORMATION ON THIS DRAWING IS PROPRIETARY AND IS NOT TO BE REVEALED TO THIRD PARTIES WITHOUT WRITTEN CONSENT OF A CORPORATE OFFICER OF USS, LLC.

Utility Systems Specialists



PIPE STAND COMPONENTS SHOWN TO SCALE. HOWEVER, CONTRACTOR SHOULD PROTOTYPE AND FIELD TEST FIRST ARTICLE BEFORE FABRICATING REMAINING PIPE STANDS.

RELEASE FOR FABRICATION

NAME SIGNATURE

DATE COMPANY



APPROVALS	DATE
DRAWN DLL	07-26-24
CHECKED DLL	07-26-24
APPROVED CDM	07-26-24
SHEET 5 OF 7	
SCALE: 1:4	SIZE: B

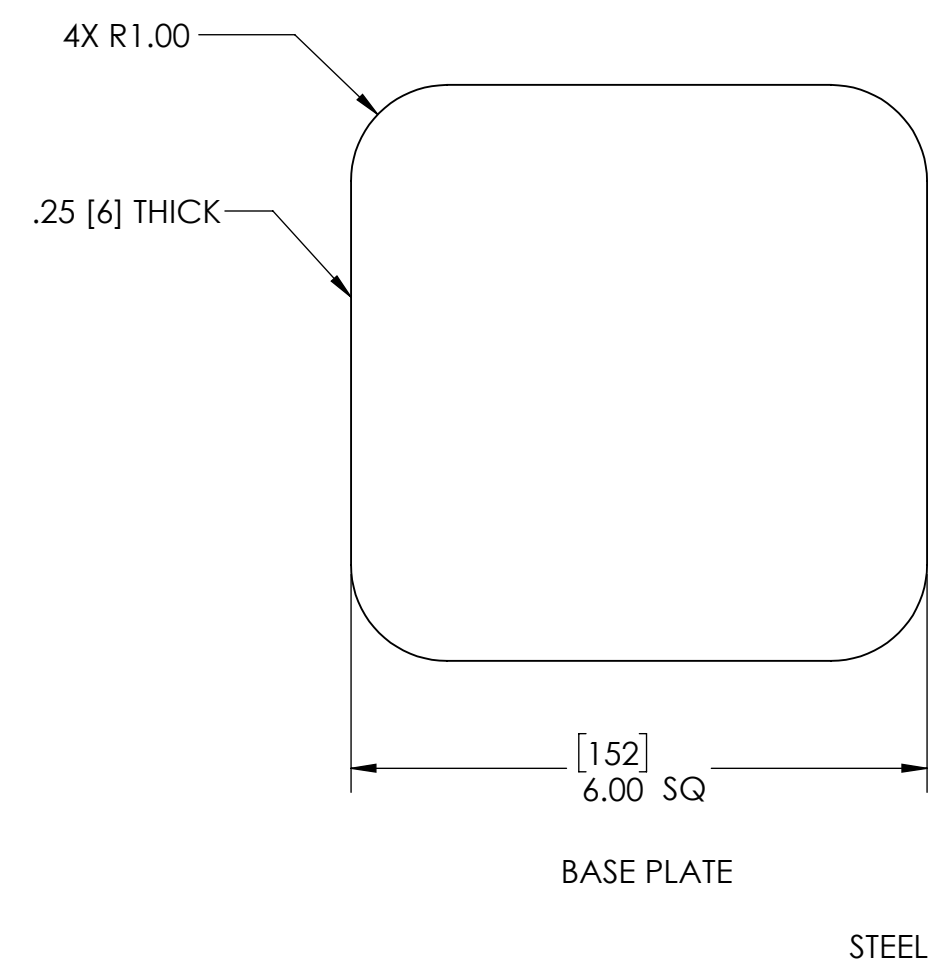
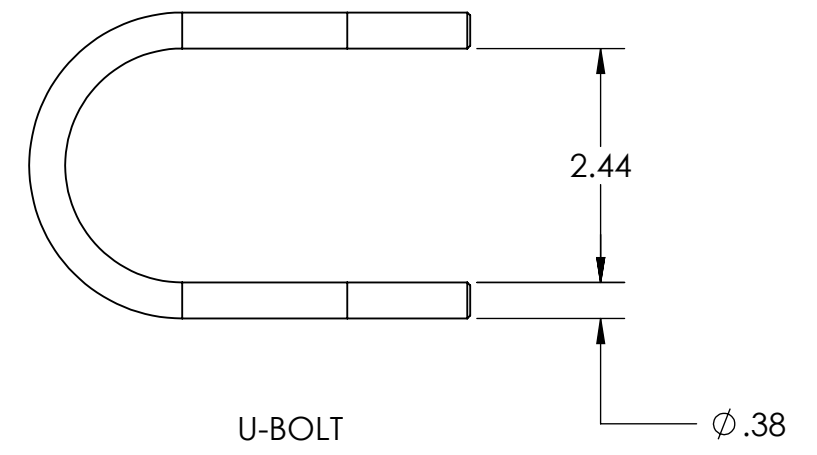
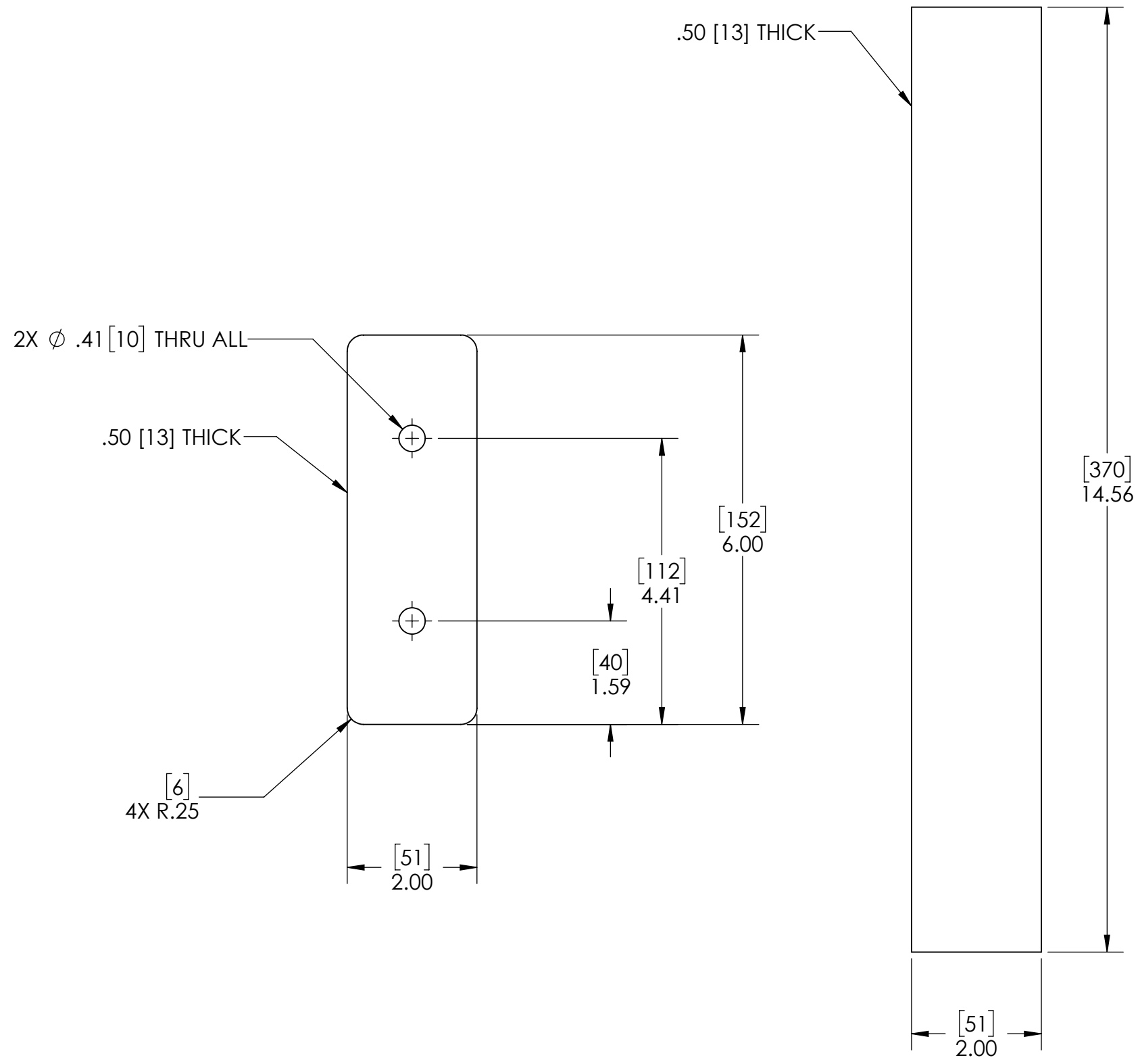
USS, LLC
PHONE: (260) 693-1172 FAX: (260) 693-1178
WEB SITE: WWW.USSPECIALISTS.COM

USS27.5(14)-20x20-20x32-48.75D

LPD(2)[4]

PIPE SUPPORT

THE INFORMATION ON THIS DRAWING IS PROPRIETARY AND IS NOT TO BE REVEALED TO THIRD PARTIES WITHOUT WRITTEN CONSENT OF A CORPORATE OFFICER OF USS, LLC.



CROSSBAR

UPRIGHT

BASE PLATE

STEEL



APPROVALS	DATE
DRAWN DLL	07-26-24
CHECKED DLL	07-26-24
APPROVED CDM	07-26-24
SHEET 6 OF 7	
SCALE: 1:2	SIZE: B

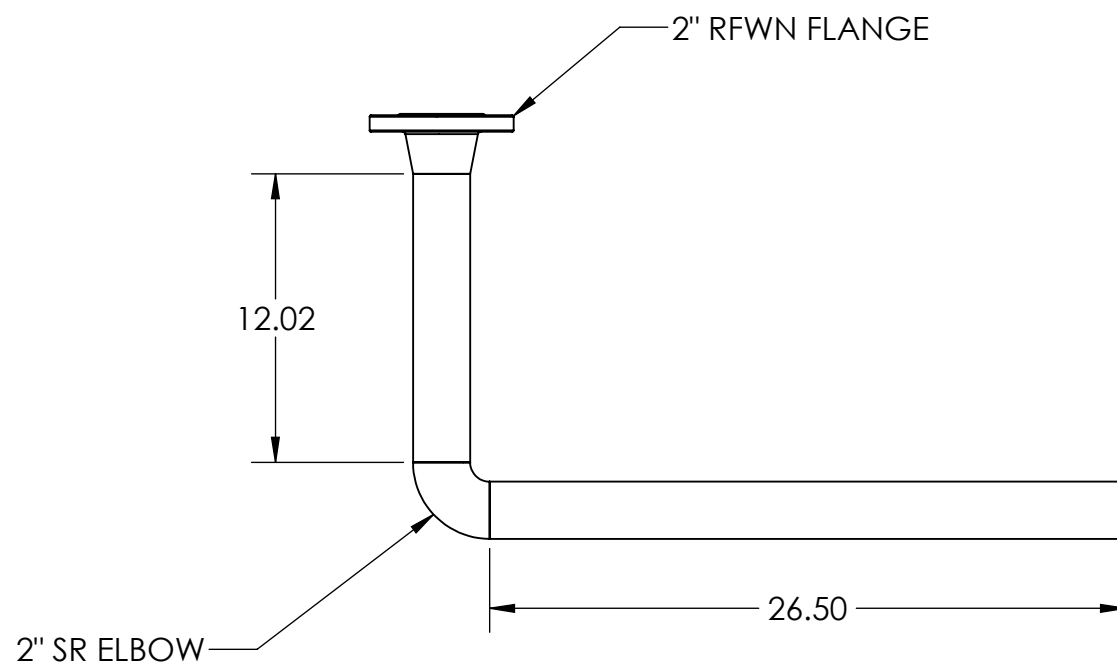
USS, LLC
 PHONE: (260) 693-1172 FAX: (260) 693-1178
 WEB SITE: WWW.USSPECIALISTS.COM

USS27.5(14)-20x20-20x32-48.75D


LPD(2)[4]

PIPE SUPPORT PARTS

THE INFORMATION ON THIS DRAWING IS PROPRIETARY AND IS NOT TO BE REVEALED TO THIRD PARTIES WITHOUT WRITTEN CONSENT OF A CORPORATE OFFICER OF USS, LLC.



STACK-UP COMPONENTS SHOWN TO SCALE. HOWEVER, CONTRACTOR SHOULD PROTOTYPE AND FIELD TEST FIRST ARTICLE BEFORE FABRICATING REMAINING STACK-UPS.

 Utility Systems Specialists	APPROVALS	DATE	USS, LLC PHONE: (260) 693-1172 FAX: (260) 693-1178 WEB SITE: WWW.USSPECIALISTS.COM USS27.5(14)-20x20-20x32-48.75D LPD(2)[4] STACK-UP
	DRAWN		
	CHECKED		
	APPROVED		
	DLL	07-26-24	
	DLL	07-26-24	
	CDM	07-26-24	
	SHEET 7 OF 7		
	SCALE: 1:8	SIZE: B	

THE INFORMATION ON THIS DRAWING IS PROPRIETARY AND IS NOT TO BE REVEALED TO THIRD PARTIES WITHOUT WRITTEN CONSENT OF A CORPORATE OFFICER OF USS, LLC.