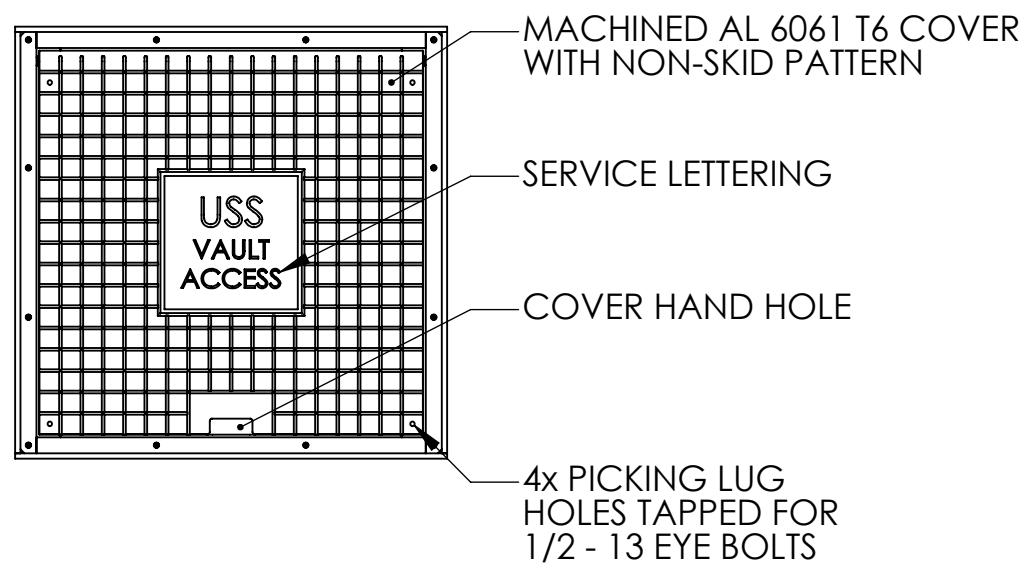
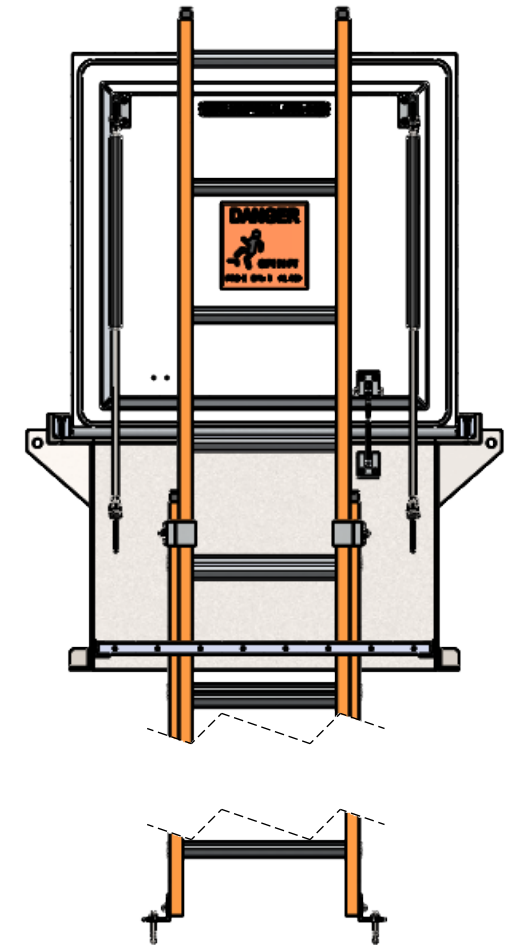


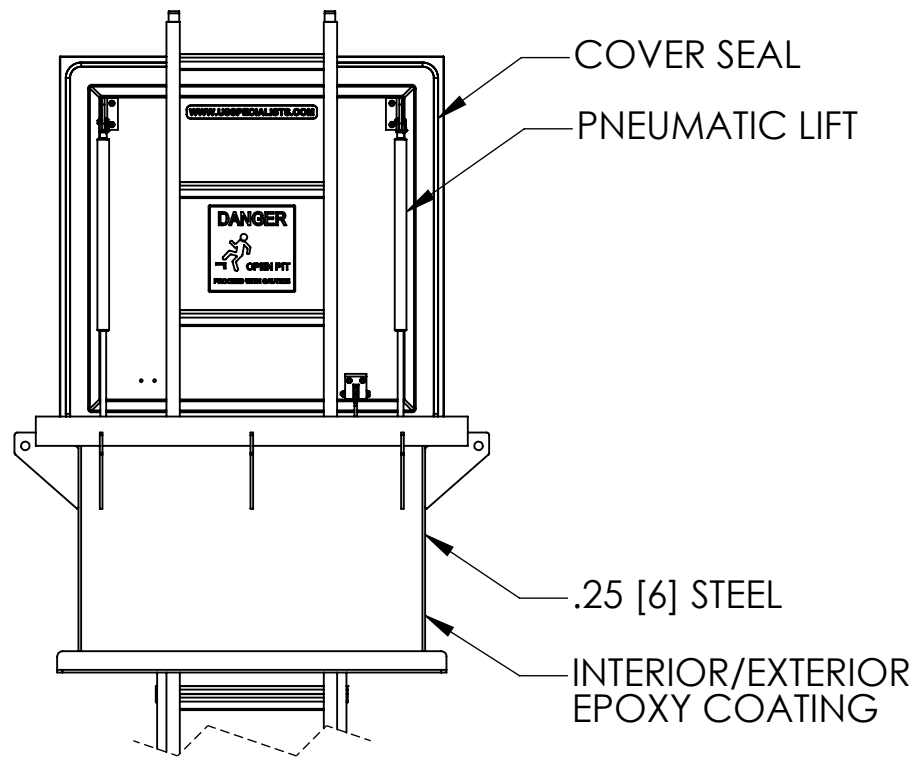
TOP VIEW



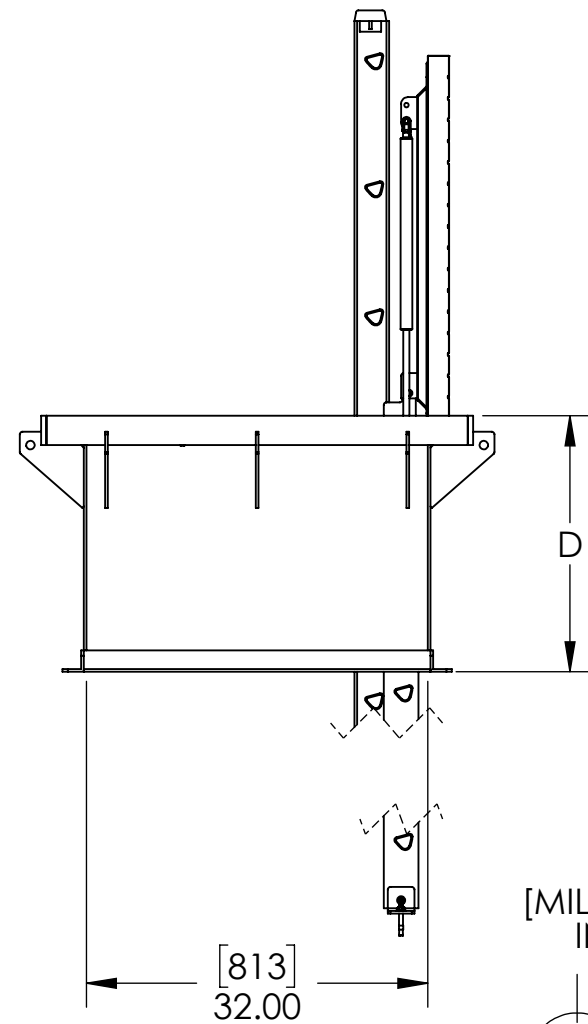
PLAN VIEW



FRONT CUT VIEW



FRONT VIEW



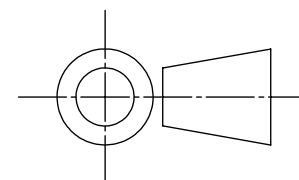
SIDE VIEW

STANDARD DEPTHS "D"

IN	MM	WT (LB)	WT (KG)
18	457	809	367
24	610	864	392
36	914	975	442
48	1219	1086	493

OTHER DEPTHS AVAILABLE UPON REQUEST

[MILLIMETERS]
INCHES

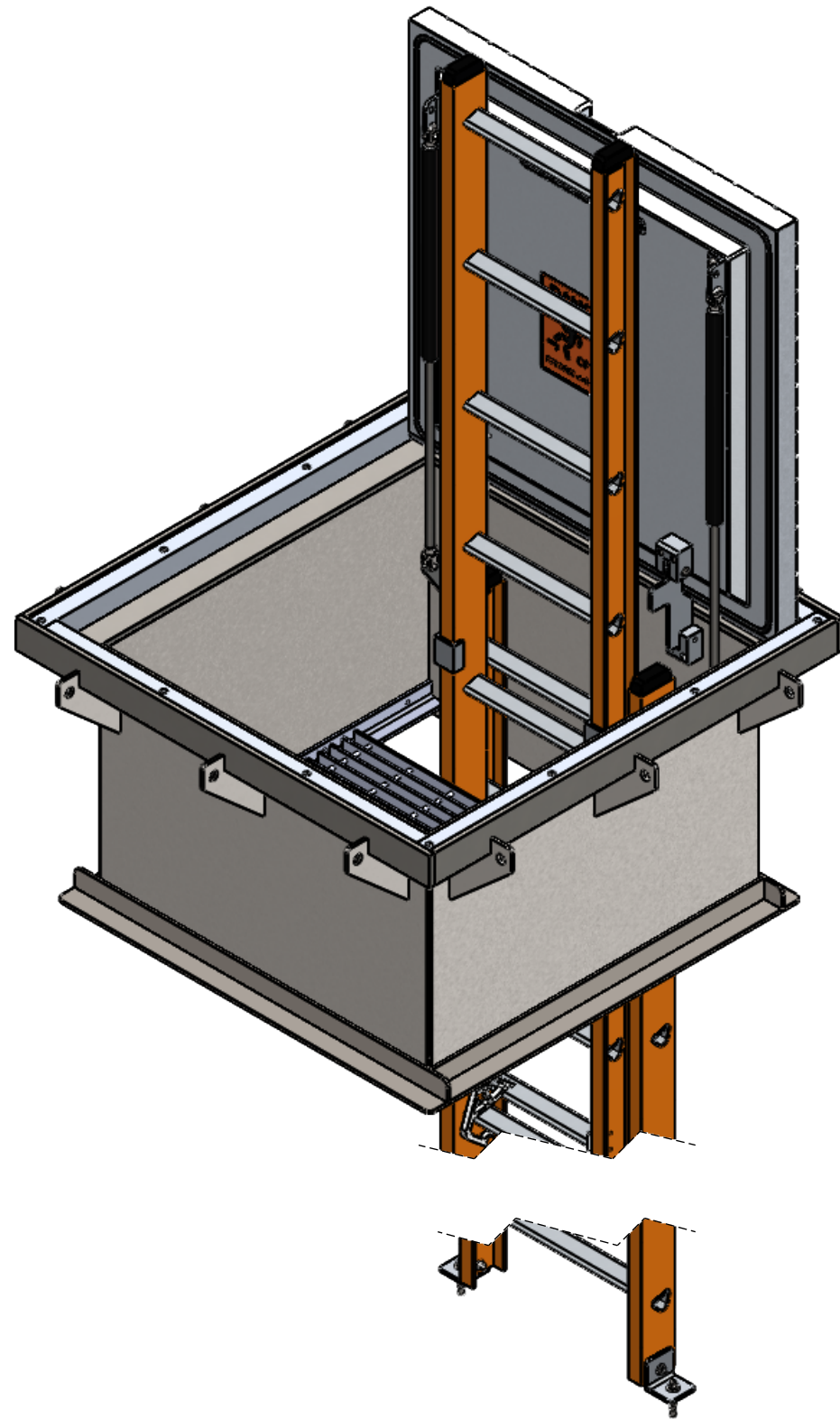


APPROVALS	DATE
DRAWN DLL	01-02-25
CHECKED DLL	01-02-25
APPROVED CDM	01-02-25
SHEET 1 OF 2	
SCALE: 1:18	SIZE: B

USS, LLC
PHONE: (260) 693-1172 FAX: (260) 693-1178
WEB SITE: WWW.USSPECIALISTS.COM

USS36-32x32
VA(SD,HO,L)-Steel
3-VIEW, CUT, PLAN

THE INFORMATION ON THIS DRAWING IS PROPRIETARY AND IS NOT TO BE REVEALED TO THIRD PARTIES WITHOUT WRITTEN CONSENT OF A CORPORATE OFFICER OF USS, LLC.



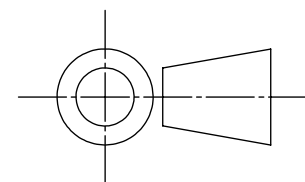
QUANTITY: _____

RELEASE FOR FABRICATION

NAME SIGNATURE

DATE COMPANY

[MILLIMETERS]
INCHES



Utility Systems Specialists

APPROVALS	DATE
DRAWN DLL	01-02-25
CHECKED DLL	01-02-25
APPROVED CDM	01-02-25
SHEET 2 OF 2	

SCALE: 1:12 SIZE: B

USS, LLC
PHONE: (260) 693-1172 FAX: (260) 693-1178
WEB SITE: WWW.USSPECIALISTS.COM

USS36-32x32
VA(SD,HO,L)-Steel
SUBMITTAL

THE INFORMATION ON THIS DRAWING IS PROPRIETARY AND IS NOT TO BE REVEALED TO THIRD PARTIES WITHOUT WRITTEN CONSENT OF A CORPORATE OFFICER OF USS, LLC.