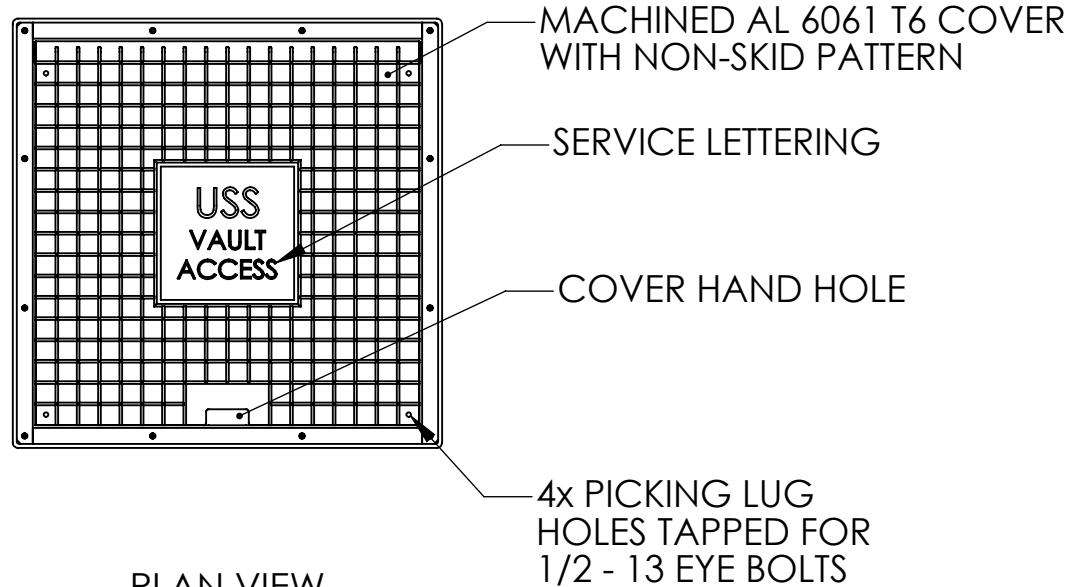
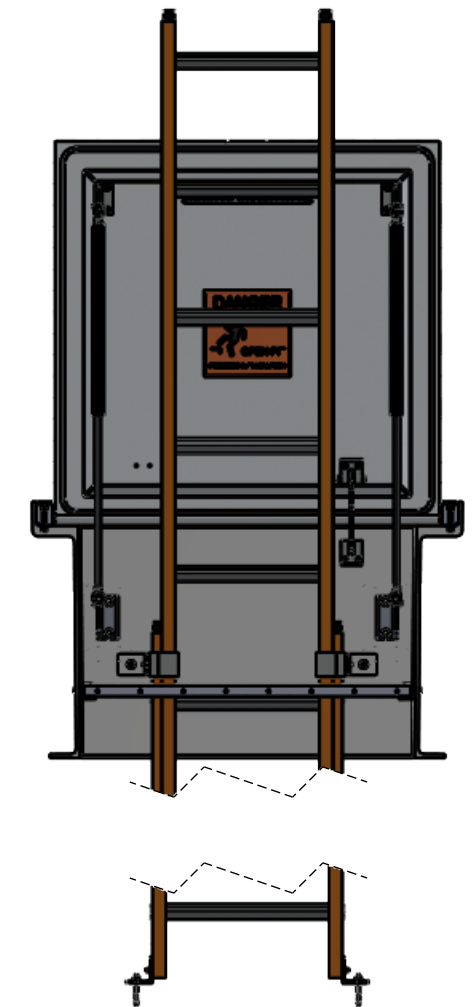


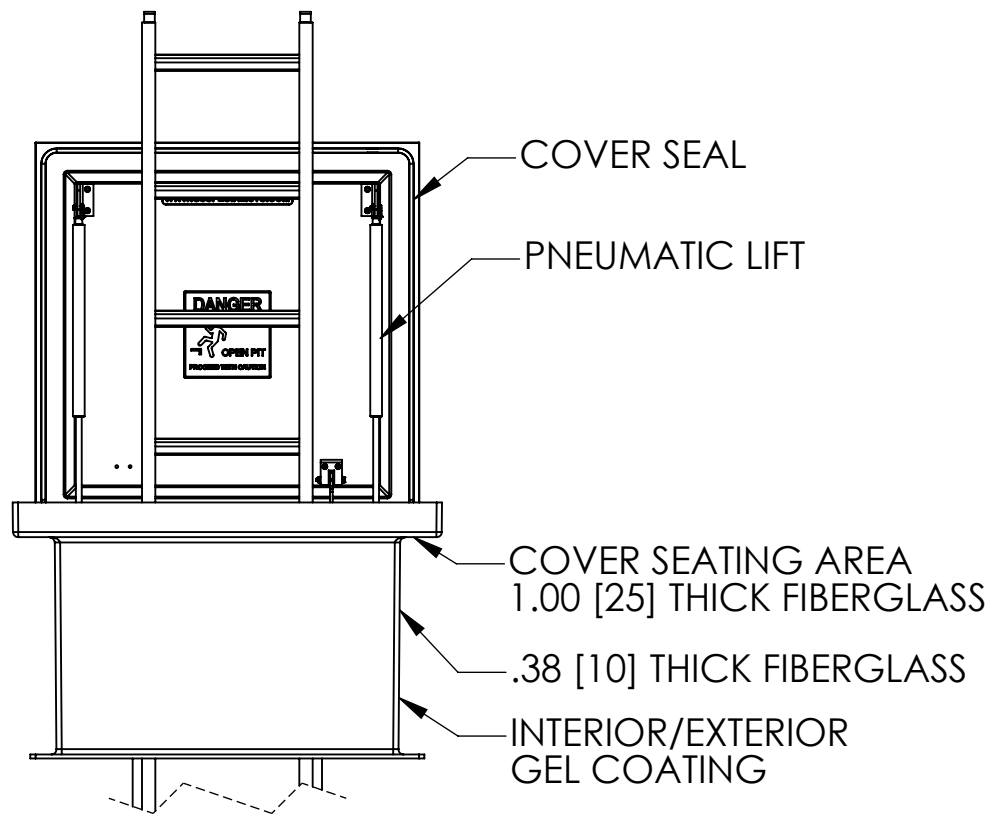
TOP VIEW



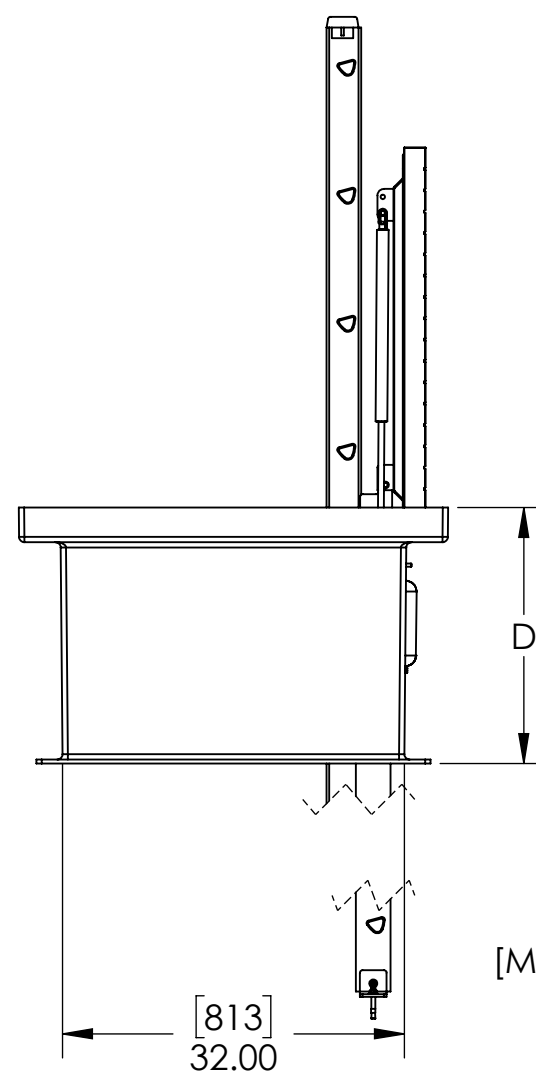
PLAN VIEW



FRONT CUT VIEW

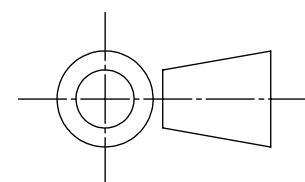


FRONT VIEW



SIDE VIEW

[MILLIMETERS]  
INCHES



STANDARD DEPTHS "D"

IN	MM	WT (LB)	WT (KG)
18	457	569	258
24	610	587	266
36	914	620	281
48	1219	653	296

CUSTOM DEPTHS ALSO AVAILABLE

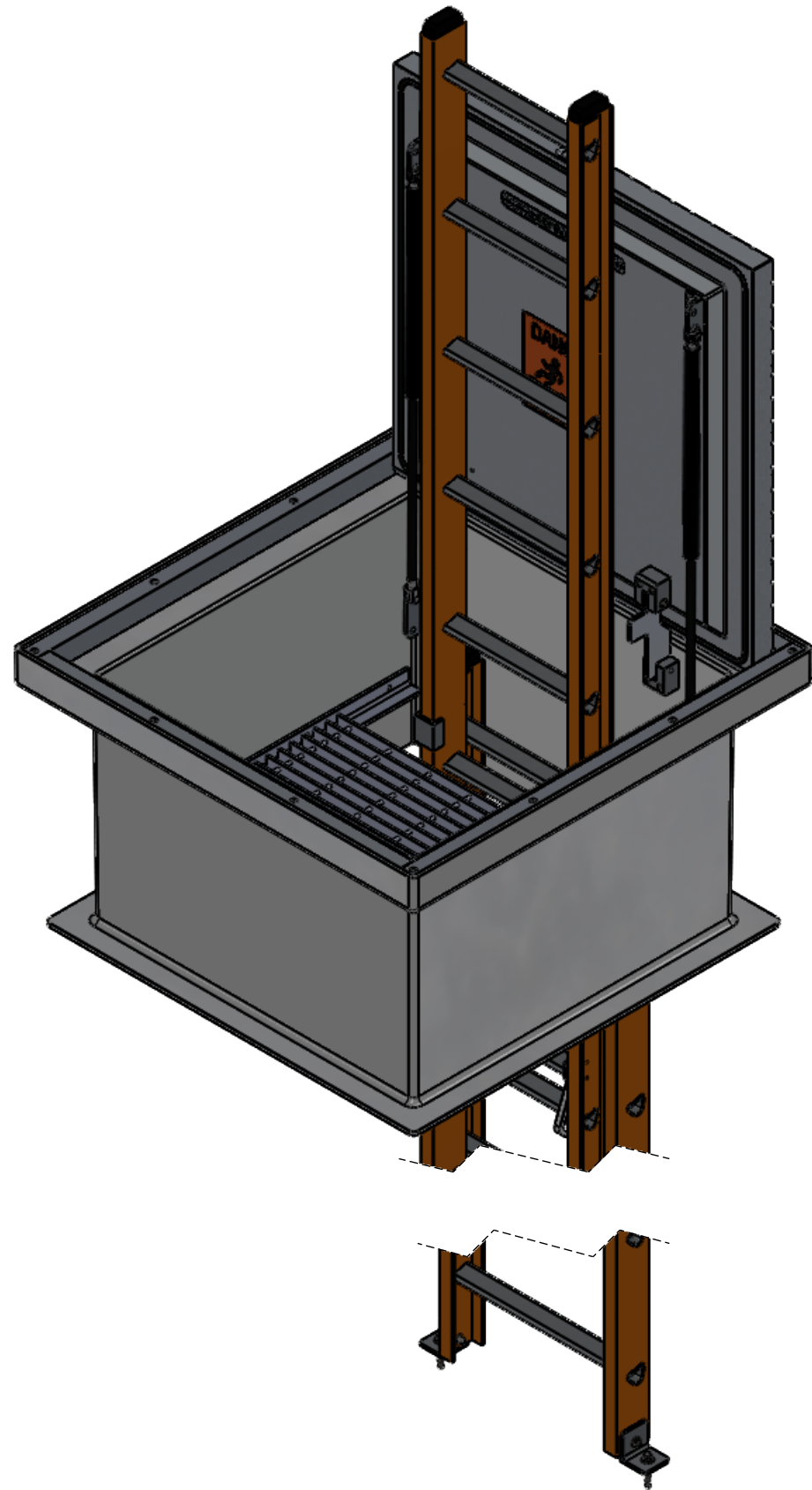


APPROVALS	DATE
DRAWN DLL	01-06-25
CHECKED DLL	01-06-25
APPROVED CDM	01-06-25
SHEET 1 OF 2	
SCALE: 1:18	SIZE: B

**USS, LLC**  
 PHONE: (260) 693-1172 FAX: (260) 693-1178  
 WEB SITE: WWW.USSPECIALISTS.COM

**USS36-32X32**  
**VA(SD,HO,L)**  
**3 VIEW, PLAN, CUT**

THE INFORMATION ON THIS DRAWING IS PROPRIETARY AND IS NOT TO BE REVEALED TO THIRD PARTIES WITHOUT WRITTEN CONSENT OF A CORPORATE OFFICER OF USS, LLC.



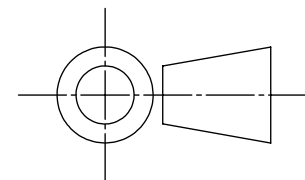
QUANTITY: \_\_\_\_\_

**RELEASE FOR FABRICATION**

NAME \_\_\_\_\_ SIGNATURE \_\_\_\_\_

DATE \_\_\_\_\_ COMPANY \_\_\_\_\_

[MILLIMETERS]  
INCHES



Utility Systems Specialists

APPROVALS	DATE
DRAWN DLL	01-06-25
CHECKED DLL	01-06-25
APPROVED CDM	01-06-25
SHEET 2 OF 2	

SCALE: 1:12 SIZE: B

**USS, LLC**  
PHONE: (260) 693-1172 FAX: (260) 693-1178  
WEB SITE: WWW.USSPECIALISTS.COM

**USS36-32X32**  
**VA(SD,HO,L)**  
**SUBMITTAL**

THE INFORMATION ON THIS DRAWING IS PROPRIETARY AND IS NOT TO BE REVEALED TO THIRD PARTIES WITHOUT WRITTEN CONSENT OF A CORPORATE OFFICER OF USS, LLC.